

# RF Exposure Lab

802 N. Twin Oaks Valley Road, Suite 105 • San Marcos, CA 92069 • U.S.A.

TEL (760) 471-2100 • FAX (760) 471-2121

<http://www.rfexposurelab.com>

## CERTIFICATE OF COMPLIANCE SAR EVALUATION

Kenwood USA Corporation  
3970 Johns Creek Court, Suite 100  
Suwanee, GA 30024

Dates of Test: Dec. 26 – 27, 2013  
Test Report Number: SAR.20131209

FCC ID:	ALH443700
IC Certificate:	282D-443700
Model(s):	NX-240-K, NX-240-M, NX-240-M2, NX-240V-K (FCC) and NX-240-P (IC)
Test Sample:	Engineering Unit Same as Production
Serial Number:	p1370018
Equipment Type:	Push-To-Talk Handheld Radio for Occupational Use
Classification:	Portable Transmitter Next to Face and Body
TX Frequency Range:	150 – 174 MHz (FCC); 138 – 144 MHz and 148 – 174 MHz (IC)
Frequency Tolerance:	± 2.5 ppm
Maximum RF Output:	150 MHz – 37.00 dBm Conducted
Signal Modulation:	FM
Body Worn Accessories:	Model KBH-10
Audio Accessories:	Model KMC-21, KEP-2, KHS-10-BH, KHS-10-OH, KHS-7, KHS-7A, KHS-8BL, KHS-9BL, KHS-22, KHS-23, KHS-25
Antenna Type:	KRA-41(M) (146-162 MHz), KRA-41(M2) (162-174 MHz), KRA-41(M3) (135-150 MHz), KRA-22(M) (146-162 MHz), KRA-22(M2) (162-174 MHz), KRA-22(M3) (135-150 MHz), Standard (Model KNB-69L, KNB-29N)
Battery:	
Application Type:	Certification
FCC Rule Parts:	Part 2, 90
KDB Test Methodology:	KDB 447498 D01 v05r01, KDB 643646 D01 v01r01, KDB 865664 D01 v01r01, KDB 865664 D02 v01
Industry Canada:	RSS-102, Safety Code 6
Maximum SAR Value:	0.64 W/kg for Face; 1.14 W/kg for Body Reported
Separation Distance:	25 mm for Face; 0 mm for Body

This wireless mobile and/or portable device has been shown to be compliant for localized specific absorption rate (SAR) for uncontrolled environment/general exposure limits specified in ANSI/IEEE Std. C95.1-1992 and had been tested in accordance with the measurement procedures specified in IEEE 1528-2003, OET Bulletin 65 Supp. C and EN/IEC 62209 (See test report).

I attest to the accuracy of the data. All measurements were performed by myself or were made under my supervision and are correct to the best of my knowledge and belief. I assume full responsibility for the completeness of these measurements and vouch for the qualifications of all persons taking them.

RF Exposure Lab, LLC certifies that no party to this application is subject to a denial of Federal benefits that includes FCC benefits pursuant to Section 5301 of the Anti-Drug Abuse Act of 1988, 21 U.S.C. 853(a).



Jay M. Moulton  
Vice President



Testing Cert. # 2387.01

## Table of Contents

1. Introduction .....	3
SAR Definition [5].....	4
2. SAR Measurement Setup .....	5
Robotic System.....	5
System Hardware .....	5
System Electronics .....	6
Probe Measurement System.....	6
3. Probe and Dipole Calibration .....	11
4. Phantom & Simulating Tissue Specifications.....	12
Head & Body Simulating Mixture Characterization .....	12
5. ANSI/IEEE C95.1 – 1992 RF Exposure Limits [2].....	13
Uncontrolled Environment.....	13
Controlled Environment .....	13
6. Measurement Uncertainty .....	14
7. System Validation .....	15
Tissue Verification.....	15
Test System Verification .....	15
8. SAR Test Data Summary.....	16
Procedures Used To Establish Test Signal.....	16
Device Test Condition .....	16
Radio Body Test .....	18
SAR Data Summary – Head SAR Face Measurements .....	21
SAR Data Summary – Body SAR Measurements .....	22
9. Test Equipment List .....	23
10. Conclusion .....	24
11. References.....	25
Appendix A – System Validation Plots and Data .....	26
Appendix B – SAR Test Data Plots.....	31
Appendix C – SAR Test Setup Photos .....	38
Appendix D – Probe Calibration Data Sheets.....	46
Appendix E – Dipole Calibration Data Sheets .....	60
Appendix F – Phantom Calibration Data Sheets .....	69

## 1. Introduction

This measurement report shows compliance of the Kenwood USA Corporation Model(s) NX-240-K, NX-240-M, NX-240-M2 and NX-240V-K FCC ID: ALH443700 with FCC Part 2, 1093, ET Docket 93-62 Rules for mobile and portable devices and Model NX-240-P IC Certificate: 282D-443700 with RSS102 & Safety Code 6. The FCC have adopted the guidelines for evaluating the environmental effects of radio frequency radiation in ET Docket 93-62 on August 6, 1996 to protect the public and workers from the potential hazards of RF emissions due to FCC regulated portable devices. [1], [6]

The test results recorded herein are based on a single type test of Kenwood USA Corporation Model NX-240-K and therefore apply only to the tested sample.

The test procedures, as described in ANSI C95.1 – 1999 Standard for Safety Levels with Respect to Human Exposure to Radio Frequency Electromagnetic Fields, 3 kHz to 300 GHz [2], ANSI C95.3 – 2002 Recommended Practice for the Measurement of Potentially Hazardous Electromagnetic Fields [3], FCC OET Bulletin 65 Supp. C – 2001 [4], IEEE Std.1528 – 2003 Recommended Practice [5], and Industry Canada Safety Code 6 Limits of Human Exposure to Radiofrequency Electromagnetic Fields in the Frequency Range from 3kHz to 300 GHz were employed.

The following table indicates all the wireless technologies operating in the Model NX-240-K, NX-240-M, NX-240-M2, NX-240V-K and NX-240-P PTT. The table also shows the tolerance for the power level for each mode.

Band	Technology	Class	Nominal Power dBm	Setpoint Nominal Power dBm	Tolerance dBm	Lower Tolerance dBm	Upper Tolerance dBm
150 MHz	FM	N/A	N/A	N/A	N/A	N/A	37.00

**SAR Definition [5]**

Specific Absorption Rate is defined as the time derivative (rate) of the incremental energy ( $dW$ ) absorbed by (dissipated in) an incremental mass ( $dm$ ) contained in a volume element ( $dV$ ) of a given density ( $\rho$ ).

$$SAR = \frac{d}{dt} \left( \frac{dW}{dm} \right) = \frac{d}{dt} \left( \frac{dW}{\rho dV} \right)$$

SAR is expressed in units of watts per kilogram (W/kg). SAR can be related to the electric field at a point by

$$SAR = \frac{\sigma |E|^2}{\rho}$$

where:

$\sigma$  = conductivity of the tissue (S/m)

$\rho$  = mass density of the tissue (kg/m<sup>3</sup>)

$E$  = rms electric field strength (V/m)

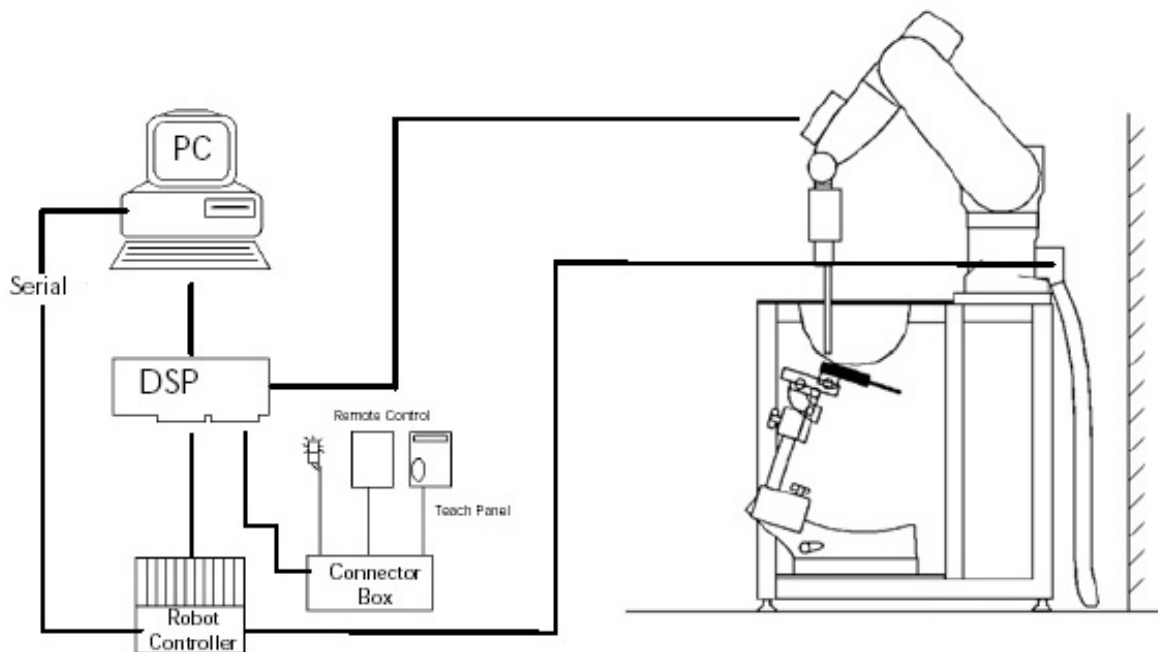
## 2. SAR Measurement Setup

### Robotic System

These measurements are performed using the DASY52 automated dosimetric assessment system. The DASY52 is made by Schmid & Partner Engineering AG (SPEAG) in Zurich, Switzerland and consists of high precision robotics system (Staubli), robot controller, Intel Core2 computer, near-field probe, probe alignment sensor, and the generic twin phantom containing the brain equivalent material. The robot is a six-axis industrial robot performing precise movements to position the probe to the location (points) of maximum electromagnetic field (EMF) (see Fig. 2.1).

### System Hardware

A cell controller system contains the power supply, robot controller teach pendant (Joystick), and a remote control used to drive the robot motors. The PC consists of the HP Intel Core2 computer with Windows XP system and SAR Measurement Software DASY52, A/D interface card, monitor, mouse, and keyboard. The Staubli Robot is connected to the cell controller to allow software manipulation of the robot. A data acquisition electronic (DAE) circuit that performs the signal amplification, signal multiplexing, AD-conversion, offset measurements, mechanical surface detection, collision detection, etc. is connected to the Electro-optical coupler (EOC). The EOC performs the conversion from the optical into digital electric signal of the DAE and transfers data to the PC plug-in card.



**Figure 2.1 SAR Measurement System Setup**

## System Electronics

The DAE4 consists of a highly sensitive electrometer-grade preamplifier with auto-zeroing, a channel and gain-switching multiplexer, a fast 16 bit AD-converter and a command decoder and control logic unit. Transmission to the PC-card is accomplished through an optical downlink for data and status information and an optical uplink for commands and clock lines. The mechanical probe mounting device includes two different sensor systems for frontal and sidewise probe contacts. They are also used for mechanical surface detection and probe collision detection. The robot uses its own controller with a built in VME-bus computer. The system is described in detail in.

## Probe Measurement System

The SAR measurements were conducted with the dosimetric probe EX3DV4, designed in the classical triangular configuration (see Fig. 2.2) and optimized for dosimetric evaluation. The probe is constructed using the thick film technique; with printed resistive lines on ceramic substrates. The probe is equipped with an optical multi fiber line ending at the front of the probe tip. (see Fig. 2.3) It is connected to the EOC box on the robot arm and provides an automatic detection of the phantom surface. Half of the fibers are connected to a pulsed infrared transmitter, the other half to a synchronized receiver. As the probe approaches the surface, the reflection from the surface produces a coupling from the transmitting to the receiving fibers. This reflection increases first during the approach, reaches maximum and then decreases. If the probe is flatly touching the surface, the coupling is zero. The distance of the coupling maximum to the surface is independent of the surface reflectivity and largely independent of the surface to probe angle. The DASY52 software reads the reflection during a software approach and looks for the maximum using a 2nd order fitting. The approach is stopped at reaching the maximum.



**DAE System**

**Probe Specifications**

**Calibration:** In air from 10 MHz to 6.0 GHz  
In brain and muscle simulating tissue at Frequencies of 450 MHz, 835 MHz, 1750 MHz, 1900 MHz, 2450 MHz, 2600 MHz, 3500 MHz, 5200 MHz, 5300 MHz, 5600 MHz, 5800 MHz

**Frequency:** 10 MHz to 6 GHz

**Linearity:**  $\pm 0.2$ dB (30 MHz to 6 GHz)

**Dynamic:** 10 mW/kg to 100 W/kg

**Range:** Linearity:  $\pm 0.2$ dB

**Dimensions:** Overall length: 330 mm

**Tip length:** 20 mm

**Body diameter:** 12 mm

**Tip diameter:** 2.5 mm

**Distance from probe tip to sensor center:** 1 mm

**Application:** SAR Dosimetry Testing  
Compliance tests of wireless device



Figure 2.2 Triangular Probe Configurations



Figure 2.3 Probe Thick-Film Technique

## Probe Calibration Process

### Dosimetric Assessment Procedure

Each probe is calibrated according to a dosimetric assessment procedure described in with accuracy better than +/- 10%. The spherical isotropy was evaluated with the procedure described in and found to be better than +/-0.25dB. The sensitivity parameters (Norm X, Norm Y, Norm Z), the diode compression parameter (DCP) and the conversion factor (Conv F) of the probe is tested.

### Free Space Assessment

The free space E-field from amplified probe outputs is determined in a test chamber. This is performed in a TEM cell for frequencies below 1 GHz, and in a waveguide above 1GHz for free space. For the free space calibration, the probe is placed in the volumetric center of the cavity at the proper orientation with the field. The probe is then rotated 360 degrees until the three channels show the maximum reading. The power density readings equates to 1 mW/cm<sup>2</sup>.

### Temperature Assessment \*

E-field temperature correlation calibration is performed in a flat phantom filled with the appropriate simulated brain tissue. The measured free space E-field in the medium, correlates to temperature rise in a dielectric medium. For temperature correlation calibration a RF transparent thermistor based temperature probe is used in conjunction with the E-field probe

$$SAR = C \frac{\Delta T}{\Delta t}$$

$$SAR = \frac{|E|^2 \cdot \sigma}{\rho}$$

where:

where:

$\Delta t$  = exposure time (30 seconds),

$\sigma$  = simulated tissue conductivity,

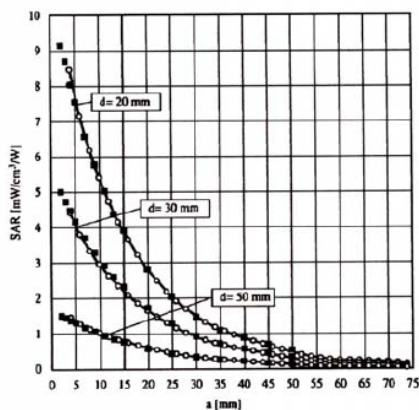
C = heat capacity of tissue (brain or muscle),

$\rho$  = Tissue density (1.25 g/cm<sup>3</sup> for brain tissue)

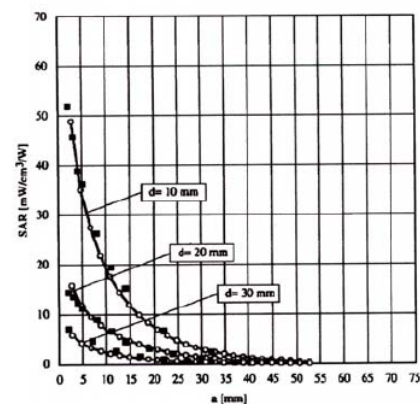
$\Delta T$  = temperature increase due to RF exposure.

SAR is proportional to  $\Delta T / \Delta t$ , the initial rate of tissue heating, before thermal diffusion takes place.

Now it's possible to quantify the electric field in the simulated tissue by equating the thermally derived SAR to the E- field;



**Figure 2.4 E-Field and Temperature Measurements at 900MHz**



**Figure 2.5 E-Field and Temperature Measurements at 1800MHz**



## Data Extrapolation

The DASY52 software automatically executes the following procedures to calculate the field units from the microvolt readings at the probe connector. The first step of the evaluation is a linearization of the filtered input signal to account for the compression characteristics of the detector diode. The compensation depends on the input signal, the diode type and the DC-transmission factor from the diode to the evaluation electronics. If the exciting field is pulsed, the crest factor of the signal must be known to correctly compensate for peak power. The formula for each channel can be given like below;

$$V_i = U_i + U_i^2 \cdot \frac{cf}{dcp_i}$$

with  $V_i$  = compensated signal of channel i (i=x,y,z)  
 $U_i$  = input signal of channel i (i=x,y,z)  
 $cf$  = crest factor of exciting field (DASY parameter)  
 $dcp_i$  = diode compression point (DASY parameter)

From the compensated input signals the primary field data for each channel can be evaluated:

E-field probes:

$$E_i = \sqrt{\frac{V_i}{Norm_i \cdot ConvF}}$$

with  $V_i$  = compensated signal of channel i (i = x,y,z)  
 $Norm_i$  = sensor sensitivity of channel i (i = x,y,z)  
 $\mu V/(V/m)^2$  for E-field probes  
 $ConvF$  = sensitivity of enhancement in solution  
 $E_i$  = electric field strength of channel i in V/m

The RSS value of the field components gives the total field strength (Hermetian magnitude):

$$E_{tot} = \sqrt{E_x^2 + E_y^2 + E_z^2}$$

The primary field data are used to calculate the derived field units.

$$SAR = E_{tot}^2 \cdot \frac{\sigma}{\rho \cdot 1000}$$

with  $SAR$  = local specific absorption rate in W/g  
 $E_{tot}$  = total field strength in V/m  
 $\sigma$  = conductivity in [mho/m] or [Siemens/m]  
 $\rho$  = equivalent tissue density in g/cm<sup>3</sup>

The power flow density is calculated assuming the excitation field to be a free space field.

$$P_{free} = \frac{E_{tot}^2}{3770}$$

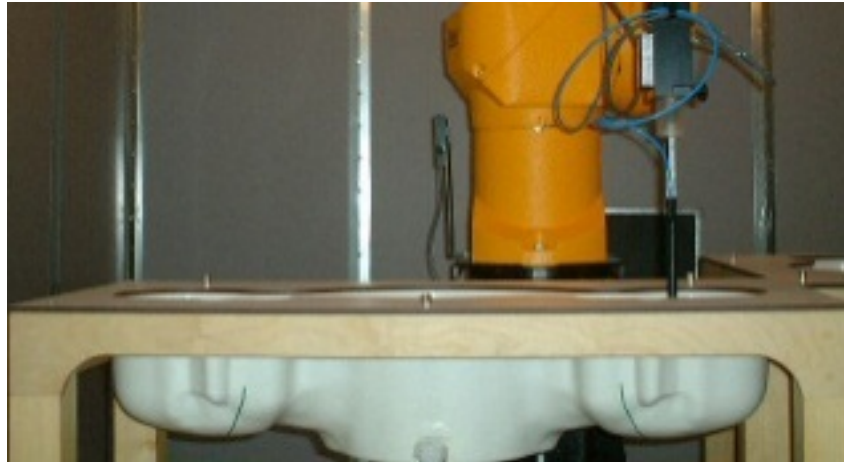
with  $P_{pwe}$  = equivalent power density of a plane wave in W/cm<sup>2</sup>  
 $E_{tot}$  = total electric field strength in V/m

**SAM PHANTOM**

The SAM Twin Phantom V4.0 is constructed of a fiberglass shell integrated in a wooden table. The shape of the shell is based on data from an anatomical study designed to determine the maximum exposure in at least 90% of all users. It enables the dosimetric evaluation of left and right hand phone usage as well as body mounted usage at the flat phantom region. A cover prevents the evaporation of the liquid. Reference markings on the Phantom allow the complete setup of all predefined phantom positions and measurement grids by manually teaching three points in the robot. (see Fig. 2.6)

**Phantom Specification**

**Phantom:** SAM Twin Phantom (V4.0)  
**Shell Material:** Vivac Composite  
**Thickness:**  $2.0 \pm 0.2$  mm



**Figure 2.6 SAM Twin Phantom**

**Device Holder for Transmitters**

In combination with the SAM Twin Phantom V4.0 the Mounting Device (see Fig. 2.7), enables the rotation of the mounted transmitter in spherical coordinates whereby the rotation point is the ear opening. The devices can be easily, accurately, and repeatedly be positioned according to the FCC, CENELEC, IEC and IEEE specifications. The device holder can be locked at different phantom locations (left head, right head, flat phantom).



**Figure 2.7 Mounting Device**

Note: A simulating human hand is not used due to the complex anatomical and geometrical structure of the hand that may produce infinite number of configurations. To produce the worst-case condition (the hand absorbs antenna output power), the hand is omitted during the tests.

### **3. Probe and Dipole Calibration**

**See Appendix D and E.**

## 4. Phantom & Simulating Tissue Specifications

### Head & Body Simulating Mixture Characterization

The head and body mixtures consist of the material based on the table listed below. The mixture is calibrated to obtain proper dielectric constant (permittivity) and conductivity of the desired tissue. Body tissue parameters that have not been specified in P1528 are derived from the tissue dielectric parameters computed from the 4-Cole-Cole equations.

**Table 4.1 Typical Composition of Ingredients for Tissue**

Ingredients		Simulating Tissue	
		150 MHz Head	150 MHz Body
Mixing Percentage			
Water		Proprietary Procured from Speag	Proprietary Procured from Speag
Sugar			
Salt			
HEC			
Bactericide			
DGBE			
Dielectric Constant	Target	52.30	61.90
Conductivity (S/m)	Target	0.76	0.80

## 5. ANSI/IEEE C95.1 – 1992 RF Exposure Limits [2]

### Uncontrolled Environment

Uncontrolled Environments are defined as locations where there is the exposure of individuals who have no knowledge or control of their exposure. The general population/uncontrolled exposure limits are applicable to situations in which the general public may be exposed or in which persons who are exposed as a consequence of their employment may not be made fully aware of the potential for exposure or cannot exercise control over their exposure. Members of the general public would come under this category when exposure is not employment-related; for example, in the case of a wireless transmitter that exposes persons in its vicinity.

### Controlled Environment

Controlled Environments are defined as locations where there is exposure that may be incurred by persons who are aware of the potential for exposure, (i.e. as a result of employment or occupation). In general, occupational/controlled exposure limits are applicable to situations in which persons are exposed as a consequence of their employment, who have been made fully aware of the potential for exposure and can exercise control over their exposure. This exposure category is also applicable when the exposure is of a transient nature due to incidental passage through a location where the exposure levels may be higher than the general population/uncontrolled limits, but the exposed person is fully aware of the potential for exposure and can exercise control over his or her exposure by leaving the area or by some other appropriate means.

**Table 5.1 Human Exposure Limits**

	UNCONTROLLED ENVIRONMENT General Population (W/kg) or (mW/g)	CONTROLLED ENVIROMENT Professional Population (W/kg) or (mW/g)
SPATIAL PEAK SAR <sup>1</sup> Head	1.60	8.00
SPATIAL AVERAGE SAR <sup>2</sup> Whole Body	0.08	0.40
SPATIAL PEAK SAR <sup>3</sup> Hands, Feet, Ankles, Wrists	4.00	20.00

<sup>1</sup> The Spatial Peak value of the SAR averaged over any 1 gram of tissue (defined as a tissue volume in the shape of a cube) and over the appropriate averaging time.

<sup>2</sup> The Spatial Average value of the SAR averaged over the whole body.

<sup>3</sup> The Spatial Peak value of the SAR averaged over any 10 grams of tissue (defined as a tissue volume in the shape of a cube) and over the appropriate averaging time.

## 6. Measurement Uncertainty

Measurement uncertainty table is not required per KDB 865664 D01 v01 section 2.8.2 page 12. Using the ratio calculation of  $(1.5/1.6)*8=7.5$  W/kg, shows that the measurement uncertainty table is not required since no SAR value in this report is above 7.5 W/kg.

## 7. System Validation

### Tissue Verification

**Table 7.1 Measured Tissue Parameters**

		150 MHz Head		150 MHz Body	
Date(s)		Dec. 26, 2013		Dec. 27, 2013	
Liquid Temperature (°C)	20.0	Target	Measured	Target	Measured
Dielectric Constant: $\epsilon$		52.30	52.32	61.90	61.82
Conductivity: $\sigma$		0.76	0.78	0.80	0.81

See Appendix A for data printout.

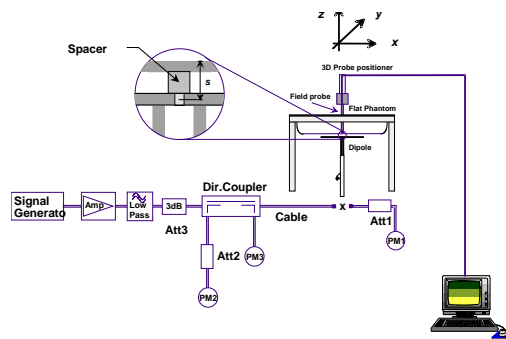
### Test System Verification

Prior to assessment, the system is verified to the  $\pm 10\%$  of the specifications at the test frequency by using the system kit. Power is normalized to 1 watt. (Graphic Plots Attached,  $P_{IN}=500$  mW)

**Table 7.2 System Dipole Validation Target & Measured**

	Test Frequency	Targeted SAR <sub>1g</sub> (W/kg)	Measure SAR <sub>1g</sub> (W/kg)	Tissue Used for Verification	Deviation (%)	Plot
26-Dec-2013	150 MHz	3.81	3.78	Head	- 0.79	1
27-Dec-2013	150 MHz	2.98	2.96	Body	- 0.67	2

See Appendix A for data plots.



**Figure 7.1 Dipole Validation Test Setup**

## **8. SAR Test Data Summary**

### **See Measurement Result Data Pages**

See Appendix B for SAR Test Data Plots.  
See Appendix C for SAR Test Setup Photos.

### **Procedures Used To Establish Test Signal**

The device was either placed into simulated transmit mode using the manufacturer's test codes or the actual transmission is activated through a base station simulator or similar equipment. See data pages for actual procedure used in measurement.

### **Device Test Condition**

The power drift of each test is measured at the start of the test and again at the end of the test. The drift is calculated returned in dBs. The drift is calculated into the resultant SAR value on the data sheet for each test.

The NX-240-K was tested in the face position with the front of the device 25 mm away from the flat phantom. The NX-240-K was then tested in the body position with the belt clip in contact with the flat phantom. The audio accessory (KMC-21) was used for all body measurements. For each of the tests conducted, the device was set to continuously transmit at a maximum output power on the channel specified in the test data. The SAR was scaled to 50% duty cycle per KDB 643646 D01 v01r01. All test reductions were reduced based on the reductions in KDB 643646 D01 v01r01. See pages 20 for a table of test reductions.



**Optional Accessories**

Accessory	Description	Part Number
Battery A	Li-Ion, 2600 mAh	KNB-69L
Battery B	Ni-MH, 1500 mAh	KNB-29N
Antenna A	VHF Stubby Antenna (136-150 MHz)	KRA-22(M3)
Antenna B	VHF Stubby Antenna (146-162 MHz)	KRA-22(M)
Antenna C	VHF Stubby Antenna (162-174 MHz)	KRA-22(M2)
Antenna D	VHF Stubby Antenna (136-150 MHz)	KRA-41(M3)
Antenna E	VHF Stubby Antenna (146-162 MHz)	KRA-41(M)
Antenna F	VHF Stubby Antenna (162-174 MHz)	KRA-41(M2)
Audio Accessory A	Compact Low-Profile Speaker Microphone	KMC-21
Audio Accessory B	2.5 mm Earphone Kit	KEP-2
Audio Accessory C	Hvy-Duty Noise Reduction Behind-the-Head w/Noise Cancel Mic	KHS-10-BH
Audio Accessory D	Hvy-Duty Noise Reduction Over-the-Head w/Noise Cancel Mic	KHS-10-OH
Audio Accessory E	Single Muff Headset	KHS-7
Audio Accessory F	Single Muff Headset with In-Line PTT	KHS-7A
Audio Accessory G	2-wire Palm Mic w/Earphone (Black)	KHS-8BL
Audio Accessory H	3-wire Lapel Mic w/Earphone (Black)	KHS-9BL
Audio Accessory I	Behind-the Head Lightweight Headset	KHS-22
Audio Accessory J	2-wire Earbud Clip and PTT Palm Mic	KHS-23
Audio Accessory K	D-Ring Ear Hanger w/PTT & Boom Mic	KHS-25
Body Worn Accessory A	Belt Clip	KBH-10

Audio Accessory A was chosen for the testing body worn radio configuration. Audio Accessory B-K are excluded per KDB 643646 D01 v01r01 page 10 1) A). The following tables shows all combinations with the tested combination marked yes.

**Radio Face Test**

Battery A						Battery B					
Ant A	Ant B	Ant C	Ant D	Ant E	Ant F	Ant A	Ant B	Ant C	Ant D	Ant E	Ant F
Yes	Yes	Yes	Yes	Yes	Yes	Yes	Yes	Yes	Yes	Yes	Yes

### Radio Body Test

Audio Accessory	Battery A						Battery B					
	Body Worn A						Body Worn A					
	Ant A	Ant B	Ant C	Ant D	Ant E	Ant F	Ant A	Ant B	Ant C	Ant D	Ant E	Ant F
Audio Accessory A	Yes	Yes	Yes	Yes	Yes	Yes	Yes	Yes	Yes	Yes	Yes	Yes
Audio Accessory B	No	No	No	No	No	No	No	No	No	No	No	No
Audio Accessory C	No	No	No	No	No	No	No	No	No	No	No	No
Audio Accessory D	No	No	No	No	No	No	No	No	No	No	No	No
Audio Accessory E	No	No	No	No	No	No	No	No	No	No	No	No
Audio Accessory F	No	No	No	No	No	No	No	No	No	No	No	No
Audio Accessory G	No	No	No	No	No	No	No	No	No	No	No	No
Audio Accessory H	No	No	No	No	No	No	No	No	No	No	No	No
Audio Accessory I	No	No	No	No	No	No	No	No	No	No	No	No
Audio Accessory J	No	No	No	No	No	No	No	No	No	No	No	No
Audio Accessory K	No	No	No	No	No	No	No	No	No	No	No	No
Audio Accessory L	No	No	No	No	No	No	No	No	No	No	No	No
Audio Accessory M	No	No	No	No	No	No	No	No	No	No	No	No

VHF		
Freq	Channel	Power (dB)
138	1	36.96
141	2	36.99
150	3	36.98
161	4	36.97
169	5	36.95
174	6	36.99

### For FCC Band:

Per KDB 447498 D01 v05r01 page 7 section 6) pages 7-8, the number of channels required to be tested is as follows:

$F_{high} = 174$  MHz  
 $F_c = 162$  MHz  
 $F_{low} = 150$  MHz

$$N_c = \text{Round} \{ [100(f_{high} - f_{low})/f_c]^{0.5} \times (f_c/100)^{0.2} \} = \text{Round} \{ [100(174-150)/162]^{0.5} \times (162/100)^{0.2} \} = 4$$

Therefore, for the frequency band from 150 MHz to 174 MHz, 4 channels are required for testing.

### For IC Bands:

Per KDB 447498 D01 v05r01 page 7 section 6) pages 7-8, the number of channels required to be tested is as follows:

$F_{high} = 144$  MHz  
 $F_c = 141$  MHz  
 $F_{low} = 138$  MHz

$$N_c = \text{Round} \{ [100(f_{high} - f_{low})/f_c]^{0.5} \times (f_c/100)^{0.2} \} = \text{Round} \{ [100(144-138)/141]^{0.5} \times (141/100)^{0.2} \} = 2$$

Therefore, for the frequency band from 138 MHz to 144 MHz, 2 channels are required for testing.

$F_{high} = 174$  MHz  
 $F_c = 161$  MHz  
 $F_{low} = 148$  MHz

$$N_c = \text{Round} \{ [100(f_{high} - f_{low})/f_c]^{0.5} \times (f_c/100)^{0.2} \} = \text{Round} \{ [100(174-148)/161]^{0.5} \times (161/100)^{0.2} \} = 4$$

Therefore, for the frequency band from 148 MHz to 174 MHz, 4 channels are required for testing.

Head SAR – In Front of Face (Handset)					
Antenna (MHz)	Channel Freq. (MHz)	Battery A <sup>1</sup>		Battery B <sup>1</sup>	
		Measured Power (W)	Reported SAR (W/kg)	Measured Power (W)	Reported SAR (W/kg)
A <sup>1</sup> (136 – 150)	138	36.96	<sup>2</sup>	36.96	<sup>2</sup>
	141	36.99	0.64	36.99	0.57
B <sup>1</sup> (146 – 162)	150	36.98	0.42	36.98	0.40
	161	36.97	<sup>2</sup>	36.97	<sup>2</sup>
C <sup>1</sup> (162 – 174)	169	36.95	<sup>2</sup>	36.95	<sup>2</sup>
	174	36.99	0.29	36.99	0.28
D <sup>1</sup> (136 – 150)	138	36.96	<sup>2</sup>	36.96	<sup>2</sup>
	141	36.99	0.57	36.99	0.64
E <sup>1</sup> (146 – 162)	150	36.98	0.41	36.98	0.29
	161	36.97	<sup>2</sup>	36.97	<sup>2</sup>
F <sup>1</sup> (162 – 174)	169	36.95	<sup>2</sup>	36.95	<sup>2</sup>
	174	36.99	0.38	36.99	0.41

<sup>1</sup>See Accessory table on page 18 of this report.

<sup>2</sup>Measurement was reduced per KDB 643646 D01 v01r01 page 2 section 1) A) l) a).

Body SAR (Handset)					
Antenna (MHz)	Channel Freq. (MHz)	Body Worn A <sup>1</sup>			
		Audio Accessory A <sup>1</sup>			
		Battery A <sup>1</sup>		Battery B <sup>1</sup>	
		Measured Power (W)	Reported SAR (W/kg)	Measured Power (W)	Reported SAR (W/kg)
A <sup>1</sup> (136 – 150)	138	36.96	<sup>2</sup>	36.96	<sup>2</sup>
	141	36.99	0.74	36.99	0.72
B <sup>1</sup> (146 – 162)	150	36.98	1.05	36.98	1.14
	161	36.97	<sup>2</sup>	36.97	<sup>2</sup>
C <sup>1</sup> (162 – 174)	169	36.95	<sup>2</sup>	36.95	<sup>2</sup>
	174	36.99	0.51	36.99	0.38
D <sup>1</sup> (136 – 150)	138	36.96	<sup>2</sup>	36.96	<sup>2</sup>
	141	36.99	0.65	36.99	0.99
E <sup>1</sup> (146 – 162)	150	36.98	0.69	36.98	0.70
	161	36.97	<sup>2</sup>	36.97	<sup>2</sup>
F <sup>1</sup> (162 – 174)	169	36.95	<sup>2</sup>	36.95	<sup>2</sup>
	174	36.99	0.36	36.99	0.55

<sup>1</sup>See Accessory table on page 18 of this report.

<sup>2</sup>Measurement was reduced per KDB 643646 D01 v01r01 page 5 section 1) A) l) a).

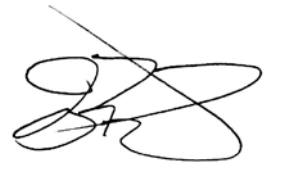
**SAR Data Summary – Head SAR Face Measurements**

**MEASUREMENT RESULTS**

Gap	Plot	Conf.	Battery	Frequency		Mod.	Ant.	End Power (dBm)	Drift (dB)	Measured SAR (W/kg)	Adjusted SAR (W/kg)	SAR (W/kg) 50% Duty Cycle
				MHz	Ch.							
25 mm	1	Radio	A	141	2	FM	A	36.99	-0.90	1.04	1.28	0.64
	2			150	3	FM	B	36.98	-0.31	0.781	0.84	0.42
	-----			174	6	FM	C	36.99	-0.33	0.541	0.59	0.29
	-----			141	2	FM	D	36.99	-0.17	1.10	1.15	0.57
	-----			150	3	FM	E	36.98	-0.15	0.797	0.83	0.41
	-----			174	6	FM	F	36.99	-0.70	0.643	0.76	0.38
	-----		141	2	FM	A	36.99	-0.96	0.909	1.14	0.57	
	-----		150	3	FM	B	36.98	-0.48	0.704	0.79	0.40	
	-----		174	6	FM	C	36.99	-0.18	0.524	0.55	0.28	
	3		B	141	2	FM	D	36.99	-0.90	1.04	1.28	0.64
	-----			150	3	FM	E	36.98	-0.62	0.494	0.57	0.29
	-----			174	6	FM	F	36.99	-0.53	0.712	0.81	0.41
	4			-----	-----	-----	-----	-----	-----	-----	-----	-----

**Head**  
**8.0 W/kg (mW/g)**  
 averaged over 1 gram

1. Battery is fully charged for all tests.  
 Power Measured  Conducted  ERP  EIRP
2. SAR Measurement  
 Phantom Configuration  Left Head  Eli4  Right Head  
 SAR Configuration  Head  Body
3. Test Signal Call Mode  Test Code  Base Station Simulator
4. Test Configuration  With Belt Clip  Without Belt Clip  N/A
5. Tissue Depth is at least 15.0 cm

  
 Jay M. Moulton  
 Vice President

The adjusted SAR value was calculated by first scaling the SAR value up by the drift. This value was then scaled up based on the difference of the upper end of the tolerance (37.00 dB) and the measured conducted power. The resultant value is then multiplied by 0.5 to give the SAR value at 50% duty cycle.

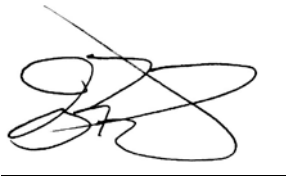
**SAR Data Summary – Body SAR Measurements**

**MEASUREMENT RESULTS**

Gap	Plot	Conf.	Battery	Frequency		Mod.	Ant.	End Power (dBm)	Drift (dB)	Measured SAR (W/kg)	Adjusted SAR (W/kg)	SAR (W/kg) 50% Duty Cycle	
				MHz	Ch.								
0 mm	-----	Radio w/ Body Worn Acc. A	A	141	2	FM	A	36.99	-0.94	1.19	1.48	0.74	
	5			150	3	FM	B	36.98	-0.23	1.99	2.11	1.05	
	-----			174	6	FM	C	36.99	-0.35	0.936	1.02	0.51	
	-----			141	2	FM	D	36.99	-0.32	1.20	1.30	0.65	
	-----			150	3	FM	E	36.98	-0.45	1.23	1.37	0.69	
	-----			174	6	FM	F	36.99	-0.51	0.638	0.72	0.36	
	-----		6	B	141	2	FM	A	36.99	-0.12	1.40	1.44	0.72
	-----				150	3	FM	B	36.98	-0.35	2.10	2.29	1.14
	-----				174	6	FM	C	36.99	-0.42	0.69	0.76	0.38
	-----				141	2	FM	D	36.99	-0.11	1.92	1.97	0.99
	-----				150	3	FM	E	36.98	-0.70	1.18	1.39	0.70
	-----				174	6	FM	F	36.99	-0.71	0.932	1.10	0.55

**Head**  
**8.0 W/kg (mW/g)**  
averaged over 1 gram

- Battery is fully charged for all tests.  
Power Measured  Conducted  ERP  EIRP
- SAR Measurement Phantom Configuration  Left Head  Eli4  Right Head  
SAR Configuration  Head  Body
- Test Signal Call Mode  Test Code  Base Station Simulator
- Test Configuration  With Belt Clip  Without Belt Clip  N/A
- Tissue Depth is at least 15.0 cm



Jay M. Moulton  
Vice President

The adjusted SAR value was calculated by first scaling the SAR value up by the drift. This value was then scaled up based on the difference of the upper end of the tolerance (37.00 dB) and the measured conducted power. The resultant value is then multiplied by 0.5 to give the SAR value at 50% duty cycle.

## 9. Test Equipment List

**Table 9.1 Equipment Specifications**

Type	Calibration Due Date	Calibration Done Date	Serial Number
Staubli Robot TX60L	N/A	N/A	F07/55M6A1/A/01
Measurement Controller CS8c	N/A	N/A	1012
ELI4 Flat Phantom	N/A	N/A	1065
Device Holder	N/A	N/A	N/A
Data Acquisition Electronics 4	08/15/2014	08/15/2013	759
SAR Software V52.8.2.969	N/A	N/A	N/A
Speag E-Field Probe ES3DV3	01/16/2014	01/16/2013	3311
Speag Validation Dipole CLA150	12/03/2014	12/03/2013	4002
Agilent N1911A Power Meter	03/25/2014	03/25/2013	GB45100254
Agilent N1922A Power Sensor	03/27/2014	03/27/2013	MY45240464
Advantest R3261A Spectrum Analyzer	03/25/2014	03/25/2013	31720068
Agilent (HP) 8350B Signal Generator	03/25/2014	03/25/2013	2749A10226
Agilent (HP) 83525A RF Plug-In	03/25/2014	03/25/2013	2647A01172
Agilent (HP) 8753C Vector Network Analyzer	03/25/2014	03/25/2013	3135A01724
Agilent (HP) 85047A S-Parameter Test Set	03/25/2014	03/25/2013	2904A00595
Agilent (HP) 8960 Base Station Sim.	04/05/2014	04/05/2012	MY48360364
Anritsu MT8820C	08/03/2014	08/03/2012	6201176199
Aprel Dielectric Probe Assembly	N/A	N/A	0011
Head Equivalent Matter (150 MHz)	N/A	N/A	N/A
Body Equivalent Matter (150 MHz)	N/A	N/A	N/A

## 10. Conclusion

The SAR measurement indicates that the EUT complies with the RF radiation exposure limits of the FCC. These measurements are taken to simulate the RF effects exposure under worst-case conditions. Precise laboratory measures were taken to assure repeatability of the tests. The tested device complies with the requirements in respect to all parameters subject to the test. The test results and statements relate only to the item(s) tested.

Please note that the absorption and distribution of electromagnetic energy in the body is a very complex phenomena that depends on the mass, shape, and size of the body; the orientation of the body with respect to the field vectors; and, the electrical properties of both the body and the environment. Other variables that may play a substantial role in possible biological effects are those that characterize the environment (e.g. ambient temperature, air velocity, relative humidity, and body insulation) and those that characterize the individual (e.g. age, gender, activity level, debilitation, or disease). Because innumerable factors may interact to determine the specific biological outcome of an exposure to electromagnetic fields, any protection guide shall consider maximal amplification of biological effects as a result of field-body interactions, environmental conditions, and physiological variables.



## 11. References

- [1] Federal Communications Commission, ET Docket 93-62, Guidelines for Evaluating the Environmental Effects of Radio Frequency Radiation, August 1996
- [2] ANSI/IEEE C95.1 – 1992, American National Standard Safety Levels with respect to Human Exposure to Radio Frequency Electromagnetic Fields, 300kHz to 100GHz, New York: IEEE, 1992.
- [3] ANSI/IEEE C95.3 – 1992, IEEE Recommended Practice for the Measurement of Potentially Hazardous Electromagnetic Fields – RF and Microwave, New York: IEEE, 1992.
- [4] Federal Communications Commission, OET Bulletin 65 (Edition 97-01), Supplement C (Edition 01-01), Evaluating Compliance with FCC Guidelines for Human Exposure to Radio Frequency Electromagnetic Fields, June 2001.
- [5] IEEE Standard 1528 – 2003, IEEE Recommended Practice for Determining the Peak-Spatial Average Specific Absorption Rate (SAR) in the Human Head from Wireless Communication Devices: Measurement Techniques, October 2003.
- [6] Industry Canada, RSS – 102e, Radio Frequency Exposure Compliance of Radiocommunication Apparatus (All Frequency Bands), March 2010.
- [7] Health Canada, Safety Code 6, Limits of Human Exposure to Radiofrequency Electromagnetic Fields in the Frequency Range from 3kHz to 300 GHz, 2009.

## Appendix A – System Validation Plots and Data

### Limits for Head

```
*****
Test Result for UIM Dielectric Parameter
Thu 26/Dec/2013
Freq  Frequency(GHz)
FCC_eH FCC OET 65 Supplement C (June 2001) Limits for Head Epsilon
FCC_sH FCC OET 65 Supplement C (June 2001) Limits for Head Sigma
Test_e Epsilon of UIM
Test_s Sigma of UIM
*****
```

Freq	FCC_eH	FCC_sH	Test_e	Test_s
0.1300	53.23	0.75	53.12	0.76
0.1380	52.862	0.75	52.808	0.768*
0.1400	52.77	0.75	52.73	0.77
0.1410	52.723	0.751	52.689	0.771*
0.1500	52.30	0.76	52.32	0.78
0.1600	51.83	0.77	51.89	0.79
0.1610	51.784	0.77	51.849	0.79*
0.1690	51.416	0.77	51.521	0.79*
0.1700	51.37	0.77	51.48	0.79
0.1740	51.182	0.774	51.308	0.794*
0.1800	50.90	0.78	51.05	0.80
0.1900	50.43	0.79	50.64	0.81

\* value interpolated

### Limits for Body

```
*****
Test Result for UIM Dielectric Parameter
Fri 27/Dec/2013
Freq  Frequency(GHz)
FCC_eH FCC Bulletin 65 Supplement C ( June 2001) Limits for Head Epsilon
FCC_sH FCC Bulletin 65 Supplement C (June 2001) Limits for Head Sigma
FCC_eB FCC Limits for Body Epsilon
FCC_sB FCC Limits for Body Sigma
Test_e Epsilon of UIM
Test_s Sigma of UIM
*****
```

Freq	FCC_eB	FCC_sB	Test_e	Test_s
0.1300	62.39	0.78	62.13	0.79
0.1380	62.198	0.788	61.986	0.798*
0.1400	62.15	0.79	61.95	0.80
0.1410	62.125	0.791	61.937	0.801*
0.1500	61.90	0.80	61.82	0.81
0.1600	61.65	0.81	61.47	0.82
0.1610	61.626	0.811	61.446	0.821*
0.1690	61.434	0.819	61.254	0.829*
0.1700	61.41	0.82	61.23	0.83
0.1740	61.31	0.82	61.126	0.834*
0.1800	61.16	0.82	60.97	0.84
0.1900	60.91	0.83	60.76	0.85

\* value interpolated

# RF Exposure Lab

## Plot 1

**DUT: Loop 150 MHz CLA150; Type: CLA150; Serial: CLA150 - SN:4002**

Communication System: CW; Frequency: 150 MHz; Duty Cycle: 1:1  
 Medium: HSL300; Medium parameters used:  $f = 150 \text{ MHz}$ ;  $\sigma = 0.78 \text{ S/m}$ ;  $\epsilon_r = 52.32$ ;  $\rho = 1000 \text{ kg/m}^3$   
 Phantom section: Flat Section

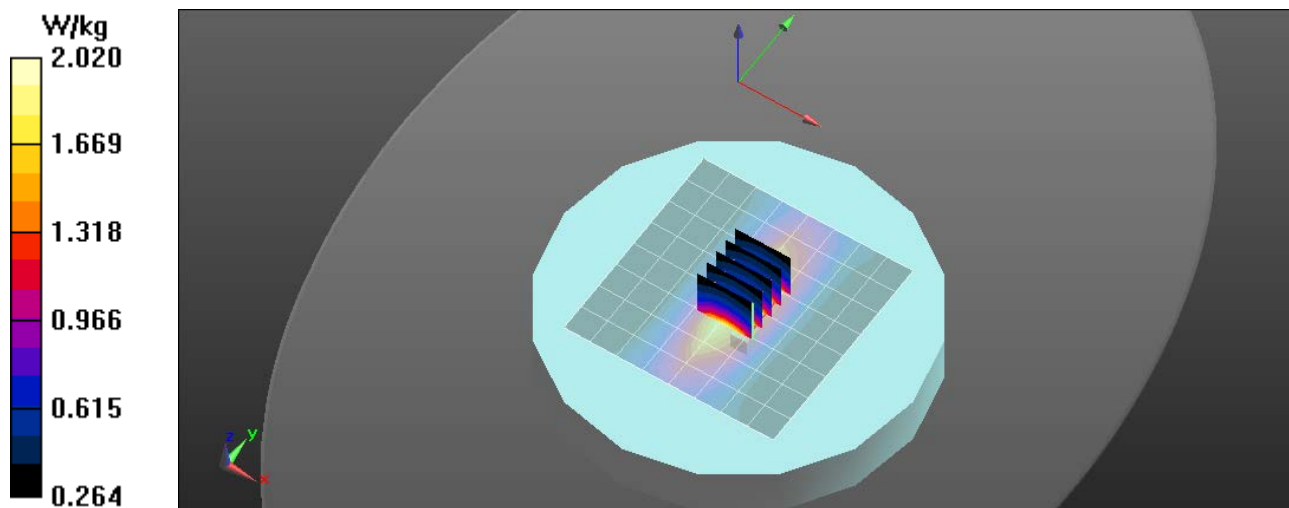
Test Date: Date: 12/26/2013; Ambient Temp: 23 °C; Tissue Temp: 21 °C

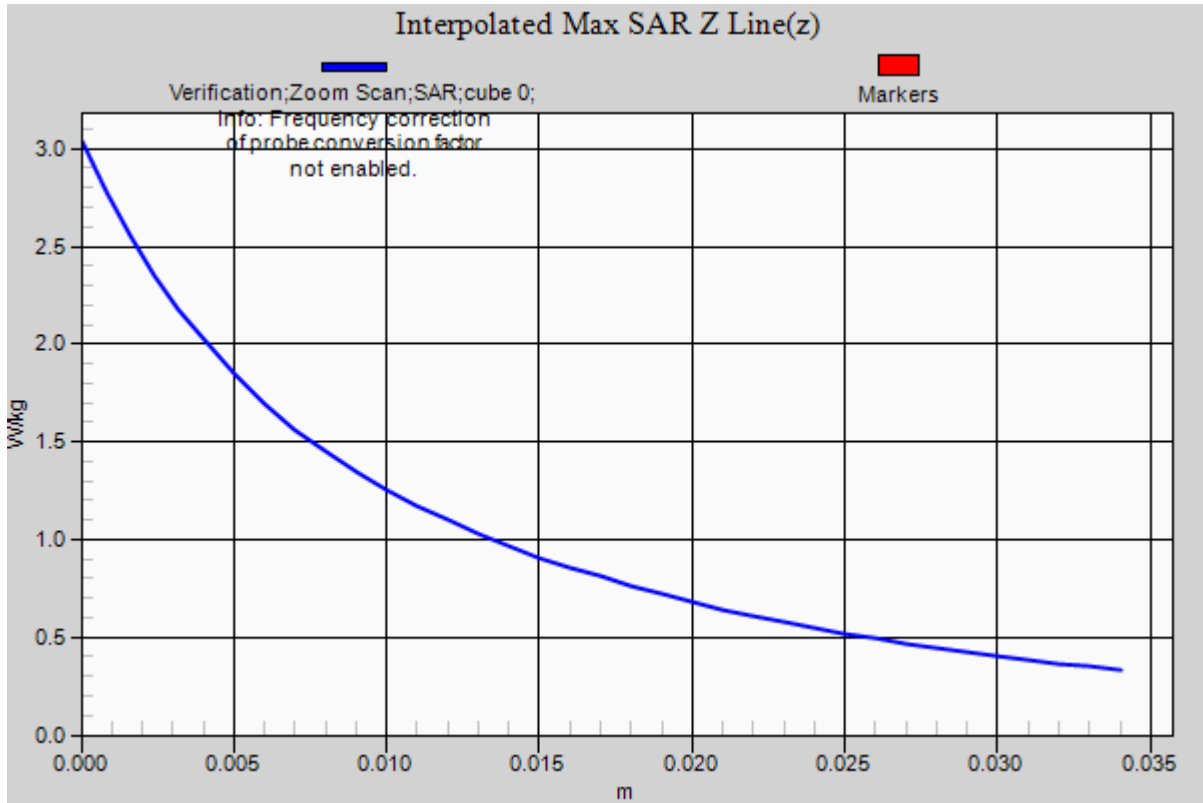
Probe: ES3DV3 - SN3311; ConvF(8.39, 8.39, 8.39); Calibrated: 1/17/2013;  
 Sensor-Surface: 4mm (Mechanical Surface Detection)  
 Electronics: DAE4 Sn759; Calibrated: 8/15/2013  
 Phantom: ELI v4.0; Type: QDOVA001BB; Serial: TP:1065  
 Measurement SW: DASY52, Version 52.8 (4); SEMCAD X Version 14.6.8 (7028)

### Procedure Notes:

**150 MHz Head/Verification/Area Scan (9x9x1):** Measurement grid:  $dx=15\text{mm}$ ,  $dy=15\text{mm}$   
 Maximum value of SAR (measured) = 1.96 W/kg

**150 MHz Head/Verification/Zoom Scan (5x5x7)/Cube 0:** Measurement grid:  $dx=8\text{mm}$ ,  $dy=8\text{mm}$ ,  $dz=5\text{mm}$   
 Reference Value = 50.784 V/m; Power Drift = 0.00 dB  
 Peak SAR (extrapolated) = 3.04 W/kg  
**SAR(1 g) = 1.89 W/kg; SAR(10 g) = 1.25 W/kg**  
 Maximum value of SAR (measured) = 2.02 W/kg





# RF Exposure Lab

## Plot 2

**DUT: Loop 150 MHz CLA150; Type: CLA150; Serial: CLA150 - SN:4002**

Communication System: CW; Frequency: 150 MHz; Duty Cycle: 1:1  
 Medium: MSL300; Medium parameters used:  $f = 150 \text{ MHz}$ ;  $\sigma = 0.81 \text{ S/m}$ ;  $\epsilon_r = 61.82$ ;  $\rho = 1000 \text{ kg/m}^3$   
 Phantom section: Flat Section

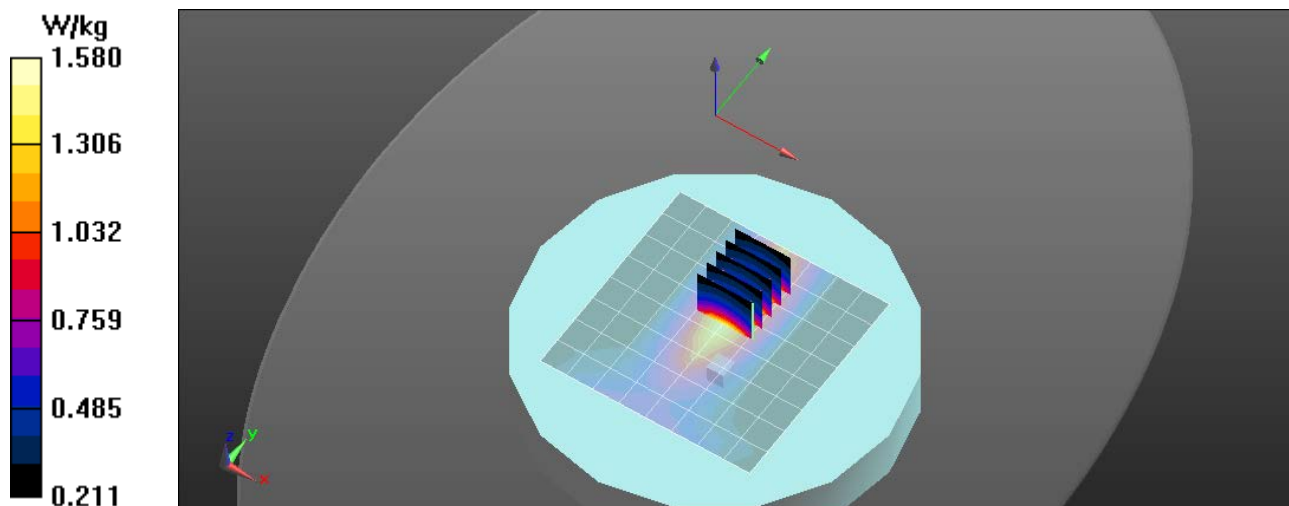
Test Date: Date: 12/27/2013; Ambient Temp: 23 °C; Tissue Temp: 21 °C

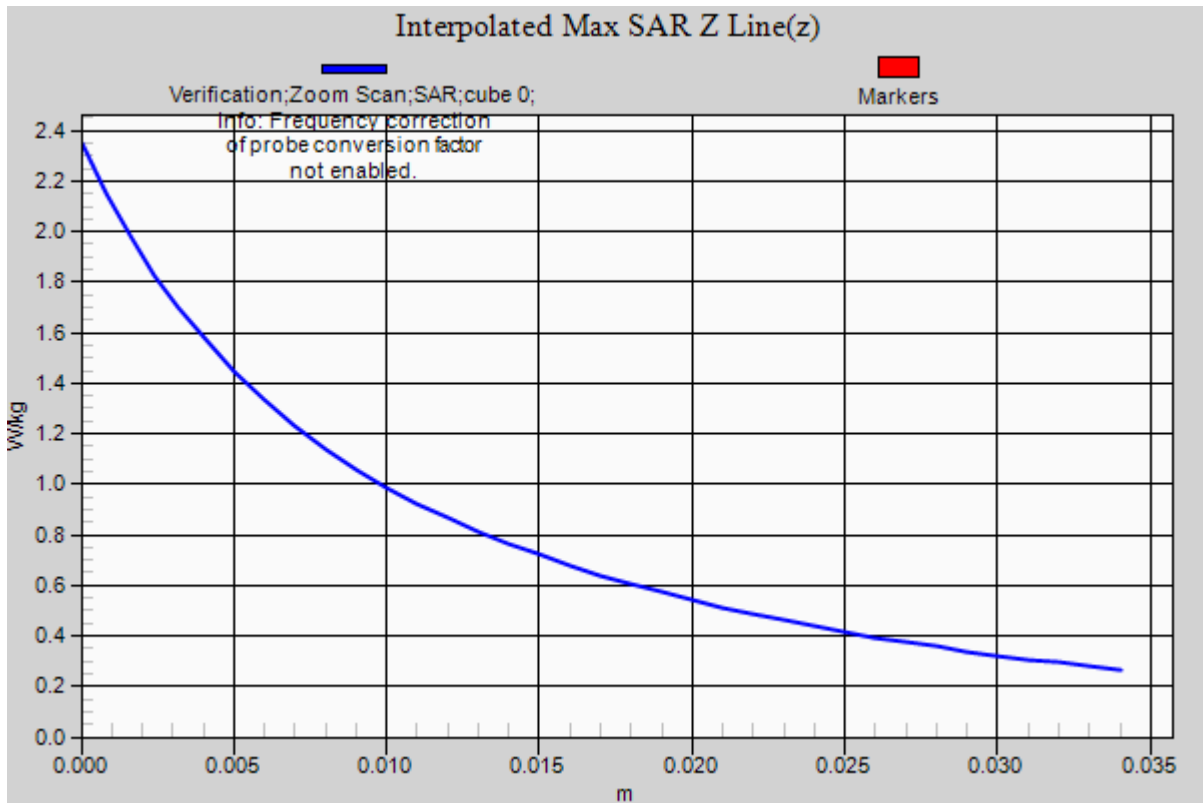
Probe: ES3DV3 - SN3311; ConvF(8.1, 8.1, 8.1); Calibrated: 1/17/2013;  
 Sensor-Surface: 4mm (Mechanical Surface Detection)  
 Electronics: DAE4 Sn759; Calibrated: 8/15/2013  
 Phantom: ELI v4.0; Type: QDOVA001BB; Serial: TP:1065  
 Measurement SW: DASYS2, Version 52.8 (4); SEMCAD X Version 14.6.8 (7028)

### Procedure Notes:

**150 MHz Body/Verification/Area Scan (9x9x1):** Measurement grid:  $dx=15\text{mm}$ ,  $dy=15\text{mm}$   
 Maximum value of SAR (measured) = 1.55 W/kg

**150 MHz Body/Verification/Zoom Scan (5x5x7)/Cube 0:** Measurement grid:  $dx=8\text{mm}$ ,  $dy=8\text{mm}$ ,  $dz=5\text{mm}$   
 Reference Value = 41.771 V/m; Power Drift = -0.00 dB  
 Peak SAR (extrapolated) = 2.35 W/kg  
**SAR(1 g) = 1.48 W/kg; SAR(10 g) = 0.987 W/kg**  
 Maximum value of SAR (measured) = 1.58 W/kg





## **Appendix B – SAR Test Data Plots**

# RF Exposure Lab

## Plot 1

**DUT: NX-240; Type: PTT; Serial: p1370018**

Communication System: FM; Frequency: 141 MHz; Duty Cycle: 1:1  
Medium: HSL300; Medium parameters used (interpolated):  $f = 141$  MHz;  $\sigma = 0.771$  S/m;  $\epsilon_r = 52.689$ ;  $\rho = 1000$  kg/m<sup>3</sup>  
Phantom section: Flat Section

Test Date: Date: 12/26/2013; Ambient Temp: 23 °C; Tissue Temp: 21 °C

Probe: ES3DV3 - SN3311; ConvF(8.39, 8.39, 8.39); Calibrated: 1/17/2013;  
Sensor-Surface: 4mm (Mechanical Surface Detection)  
Electronics: DAE4 Sn759; Calibrated: 8/15/2013  
Phantom: ELI v4.0; Type: QDOVA001BB; Serial: TP:1065  
Measurement SW: DASY52, Version 52.8 (4); SEMCAD X Version 14.6.8 (7028)

### Procedure Notes:

**NX-240 Face/KRA-22M3, KNB-69L 141 MHz/Area Scan (7x17x1):** Measurement grid: dx=15mm, dy=15mm

Info: [Interpolated medium parameters used for SAR evaluation.](#)

Maximum value of SAR (measured) = 1.15 W/kg

**NX-240 Face/KRA-22M3, KNB-69L 141 MHz/Zoom Scan (5x5x7)/Cube 0:** Measurement grid: dx=8mm, dy=8mm, dz=5mm

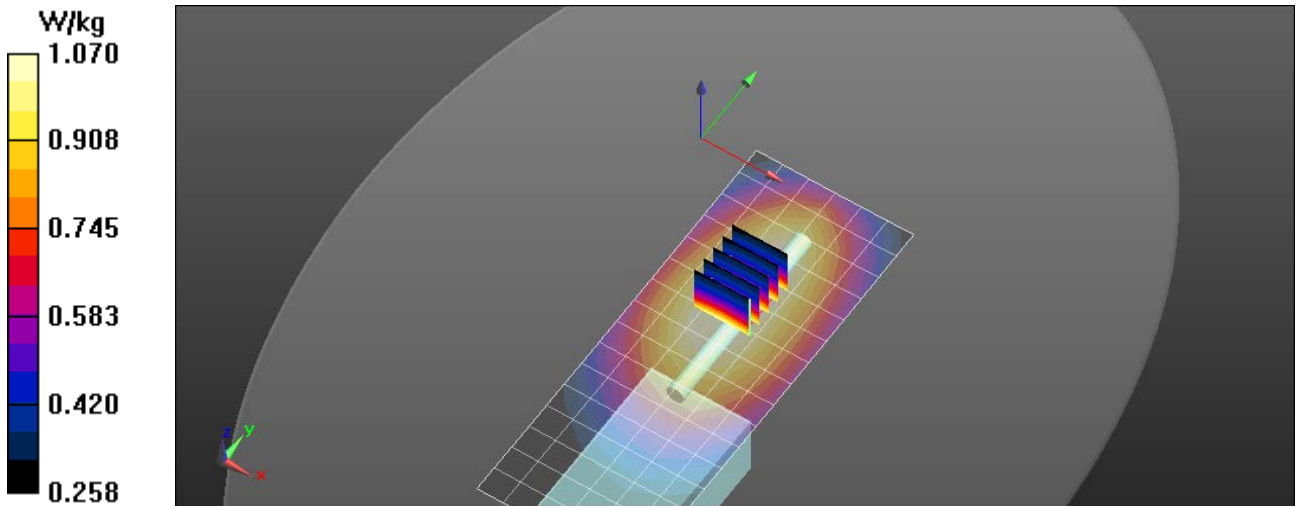
Reference Value = 38.977 V/m; Power Drift = -0.90 dB

Peak SAR (extrapolated) = 1.41 W/kg

**SAR(1 g) = 1.04 W/kg; SAR(10 g) = 0.805 W/kg**

Info: [Interpolated medium parameters used for SAR evaluation.](#)

Maximum value of SAR (measured) = 1.07 W/kg





# RF Exposure Lab

## Plot 2

**DUT: NX-240; Type: PTT; Serial: p1370018**

Communication System: FM; Frequency: 150 MHz; Duty Cycle: 1:1  
 Medium: HSL300; Medium parameters used:  $f = 150 \text{ MHz}$ ;  $\sigma = 0.78 \text{ S/m}$ ;  $\epsilon_r = 52.32$ ;  $\rho = 1000 \text{ kg/m}^3$   
 Phantom section: Flat Section

Test Date: Date: 12/26/2013; Ambient Temp: 23 °C; Tissue Temp: 21 °C

Probe: ES3DV3 - SN3311; ConvF(8.39, 8.39, 8.39); Calibrated: 1/17/2013;  
 Sensor-Surface: 4mm (Mechanical Surface Detection)  
 Electronics: DAE4 Sn759; Calibrated: 8/15/2013  
 Phantom: ELI v4.0; Type: QDOVA001BB; Serial: TP:1065  
 Measurement SW: DASY52, Version 52.8 (4); SEMCAD X Version 14.6.8 (7028)

### Procedure Notes:

**NX-240 Face/KRA-22M, KNB-69L 150 MHz/Area Scan (7x17x1):** Measurement grid: dx=15mm, dy=15mm  
 Maximum value of SAR (measured) = 0.825 W/kg

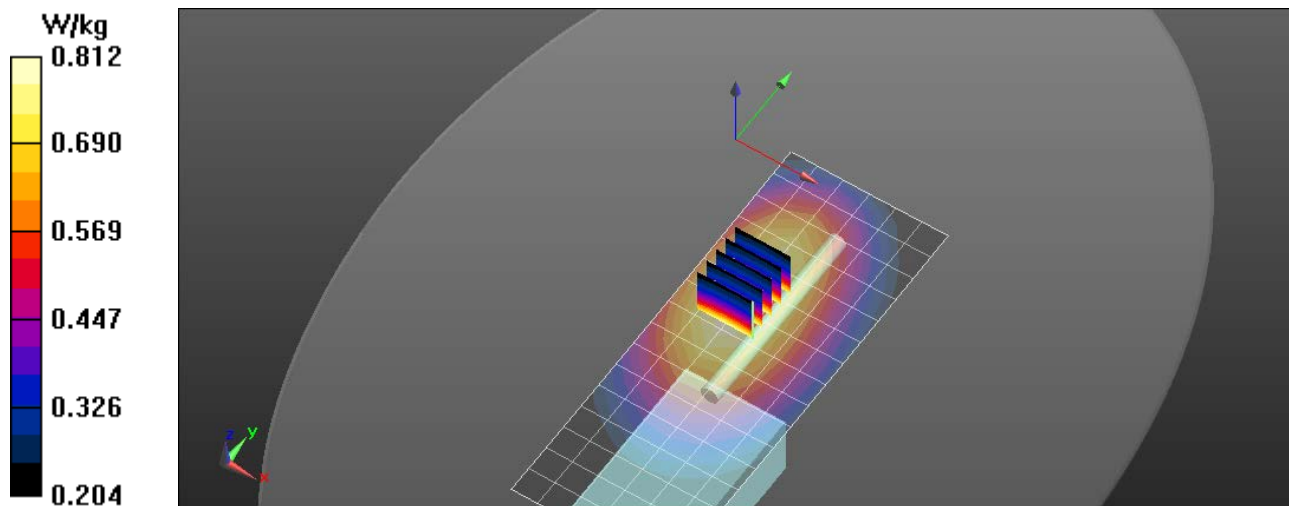
**NX-240 Face/KRA-22M, KNB-69L 150 MHz/Zoom Scan (5x5x7)/Cube 0:** Measurement grid: dx=8mm, dy=8mm, dz=5mm

Reference Value = 30.540 V/m; Power Drift = -0.31 dB

Peak SAR (extrapolated) = 1.05 W/kg

**SAR(1 g) = 0.781 W/kg; SAR(10 g) = 0.606 W/kg**

Maximum value of SAR (measured) = 0.812 W/kg



# RF Exposure Lab

## Plot 3

**DUT: NX-240; Type: PTT; Serial: p1370018**

Communication System: FM; Frequency: 141 MHz; Duty Cycle: 1:1  
 Medium: HSL300; Medium parameters used (interpolated):  $f = 141 \text{ MHz}$ ;  $\sigma = 0.771 \text{ S/m}$ ;  $\epsilon_r = 52.689$ ;  $\rho = 1000 \text{ kg/m}^3$   
 Phantom section: Flat Section

Test Date: Date: 12/26/2013; Ambient Temp: 23 °C; Tissue Temp: 21 °C

Probe: ES3DV3 - SN3311; ConvF(8.39, 8.39, 8.39); Calibrated: 1/17/2013;  
 Sensor-Surface: 4mm (Mechanical Surface Detection)  
 Electronics: DAE4 Sn759; Calibrated: 8/15/2013  
 Phantom: ELI v4.0; Type: QDOVA001BB; Serial: TP:1065  
 Measurement SW: DASY52, Version 52.8 (4); SEMCAD X Version 14.6.8 (7028)

### Procedure Notes:

**NX-240 Face/KRA-41M3, KNB-29N 141 MHz/Area Scan (7x17x1):** Measurement grid: dx=15mm, dy=15mm

[Info: Interpolated medium parameters used for SAR evaluation.](#)

Maximum value of SAR (measured) = 1.07 W/kg

**NX-240 Face/KRA-41M3, KNB-29N 141 MHz/Zoom Scan (5x5x7)/Cube 0:** Measurement grid: dx=8mm, dy=8mm, dz=5mm

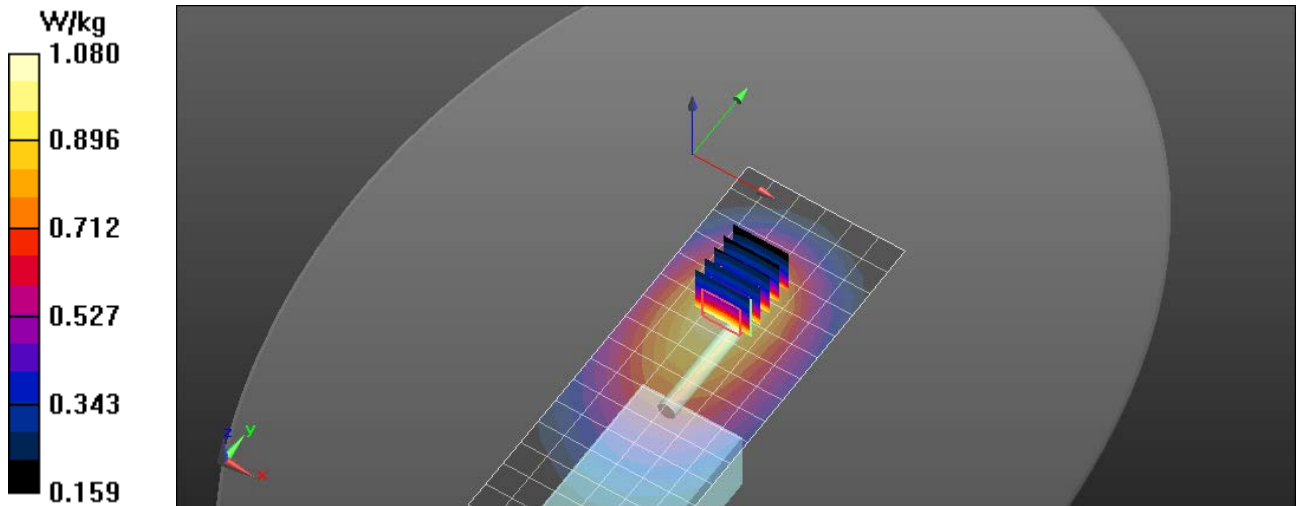
Reference Value = 33.514 V/m; Power Drift = -0.90 dB

Peak SAR (extrapolated) = 1.53 W/kg

**SAR(1 g) = 1.04 W/kg; SAR(10 g) = 0.757 W/kg**

[Info: Interpolated medium parameters used for SAR evaluation.](#)

Maximum value of SAR (measured) = 1.08 W/kg



# RF Exposure Lab

## Plot 4

**DUT: NX-240; Type: PTT; Serial: p1370018**

Communication System: FM; Frequency: 174 MHz; Duty Cycle: 1:1  
Medium: HSL300; Medium parameters used (interpolated):  $f = 174 \text{ MHz}$ ;  $\sigma = 0.794 \text{ S/m}$ ;  $\epsilon_r = 51.308$ ;  $\rho = 1000 \text{ kg/m}^3$   
Phantom section: Flat Section

Test Date: Date: 12/26/2013; Ambient Temp: 23 °C; Tissue Temp: 21 °C

Probe: ES3DV3 - SN3311; ConvF(8.39, 8.39, 8.39); Calibrated: 1/17/2013;  
Sensor-Surface: 4mm (Mechanical Surface Detection)  
Electronics: DAE4 Sn759; Calibrated: 8/15/2013  
Phantom: ELI v4.0; Type: QDOVA001BB; Serial: TP:1065  
Measurement SW: DASY52, Version 52.8 (4); SEMCAD X Version 14.6.8 (7028)

### Procedure Notes:

**NX-240 Face/KRA-41M2, KNB-29N 174 MHz/Area Scan (7x17x1):** Measurement grid: dx=15mm, dy=15mm

Info: [Interpolated medium parameters used for SAR evaluation.](#)

Maximum value of SAR (measured) = 0.696 W/kg

**NX-240 Face/KRA-41M2, KNB-29N 174 MHz/Zoom Scan (5x5x7)/Cube 0:** Measurement grid: dx=8mm, dy=8mm, dz=5mm

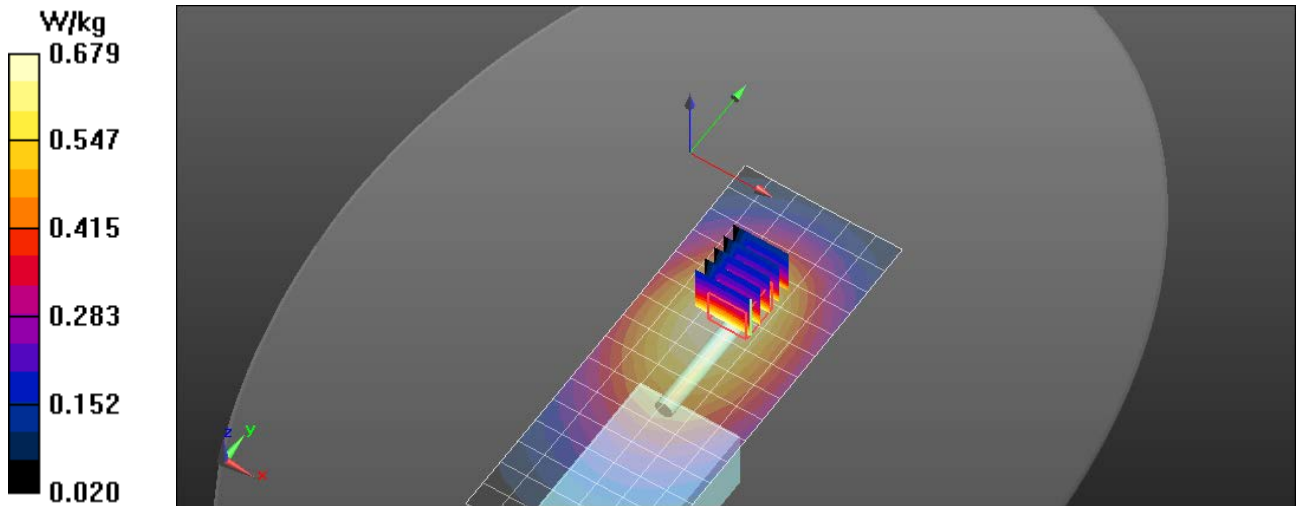
Reference Value = 27.917 V/m; Power Drift = -0.53 dB

Peak SAR (extrapolated) = 1.17 W/kg

**SAR(1 g) = 0.712 W/kg; SAR(10 g) = 0.496 W/kg**

Info: [Interpolated medium parameters used for SAR evaluation.](#)

Maximum value of SAR (measured) = 0.679 W/kg



# RF Exposure Lab

## Plot 5

**DUT: NX-240; Type: PTT; Serial: p1370018**

Communication System: FM; Frequency: 150 MHz; Duty Cycle: 1:1  
Medium: MSL300; Medium parameters used:  $f = 150 \text{ MHz}$ ;  $\sigma = 0.81 \text{ S/m}$ ;  $\epsilon_r = 61.82$ ;  $\rho = 1000 \text{ kg/m}^3$   
Phantom section: Flat Section

Test Date: Date: 12/27/2013; Ambient Temp: 23 °C; Tissue Temp: 21 °C

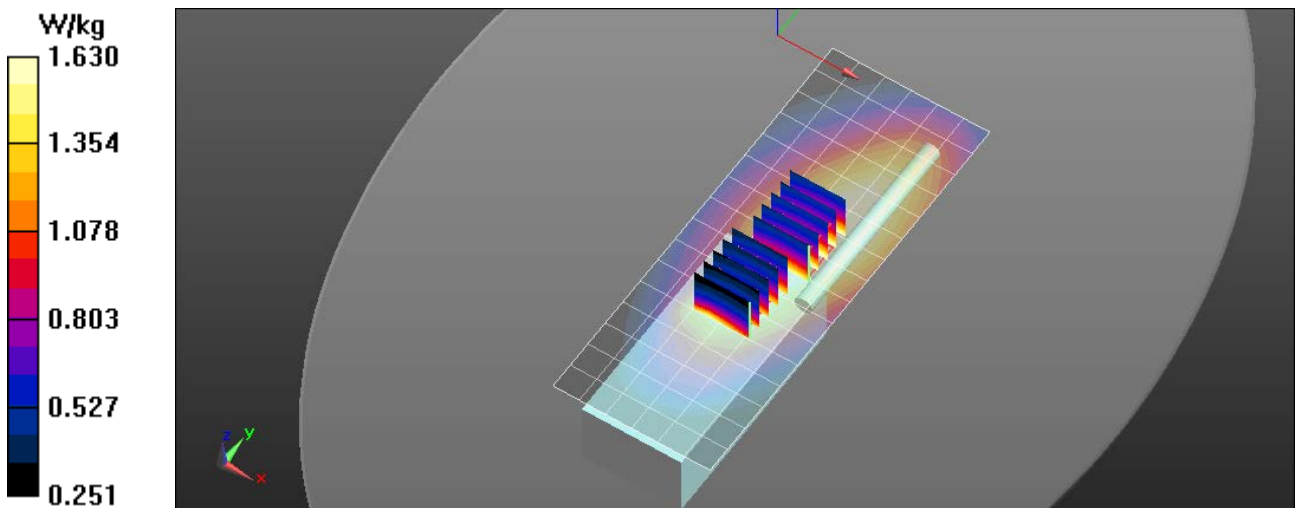
Probe: ES3DV3 - SN3311; ConvF(8.1, 8.1, 8.1); Calibrated: 1/17/2013;  
Sensor-Surface: 4mm (Mechanical Surface Detection)  
Electronics: DAE4 Sn759; Calibrated: 8/15/2013  
Phantom: ELI v4.0; Type: QDOVA001BB; Serial: TP:1065  
Measurement SW: DASY52, Version 52.8 (4); SEMCAD X Version 14.6.8 (7028)

### Procedure Notes:

**NX-240 Body/KRA-22M, KNB-69L 150 MHz/Area Scan (7x17x1):** Measurement grid:  $dx=15\text{mm}$ ,  $dy=15\text{mm}$   
Maximum value of SAR (measured) = 1.99 W/kg

**NX-240 Body/KRA-22M, KNB-69L 150 MHz/Zoom Scan (5x5x7)/Cube 0:** Measurement grid:  $dx=8\text{mm}$ ,  $dy=8\text{mm}$ ,  $dz=5\text{mm}$   
Reference Value = 49.685 V/m; Power Drift = -0.23 dB  
Peak SAR (extrapolated) = 3.22 W/kg  
**SAR(1 g) = 1.99 W/kg; SAR(10 g) = 1.39 W/kg**  
Maximum value of SAR (measured) = 2.10 W/kg

**NX-240 Body/KRA-22M, KNB-69L 150 MHz/Zoom Scan (5x5x7)/Cube 1:** Measurement grid:  $dx=8\text{mm}$ ,  $dy=8\text{mm}$ ,  $dz=5\text{mm}$   
Reference Value = 49.685 V/m; Power Drift = -0.23 dB  
Peak SAR (extrapolated) = 2.36 W/kg  
**SAR(1 g) = 1.56 W/kg; SAR(10 g) = 1.12 W/kg**  
Maximum value of SAR (measured) = 1.63 W/kg



# RF Exposure Lab

## Plot 6

**DUT: NX-240; Type: PTT; Serial: p1370018**

Communication System: FM; Frequency: 150 MHz; Duty Cycle: 1:1  
Medium: MSL300; Medium parameters used:  $f = 150 \text{ MHz}$ ;  $\sigma = 0.81 \text{ S/m}$ ;  $\epsilon_r = 61.82$ ;  $\rho = 1000 \text{ kg/m}^3$   
Phantom section: Flat Section

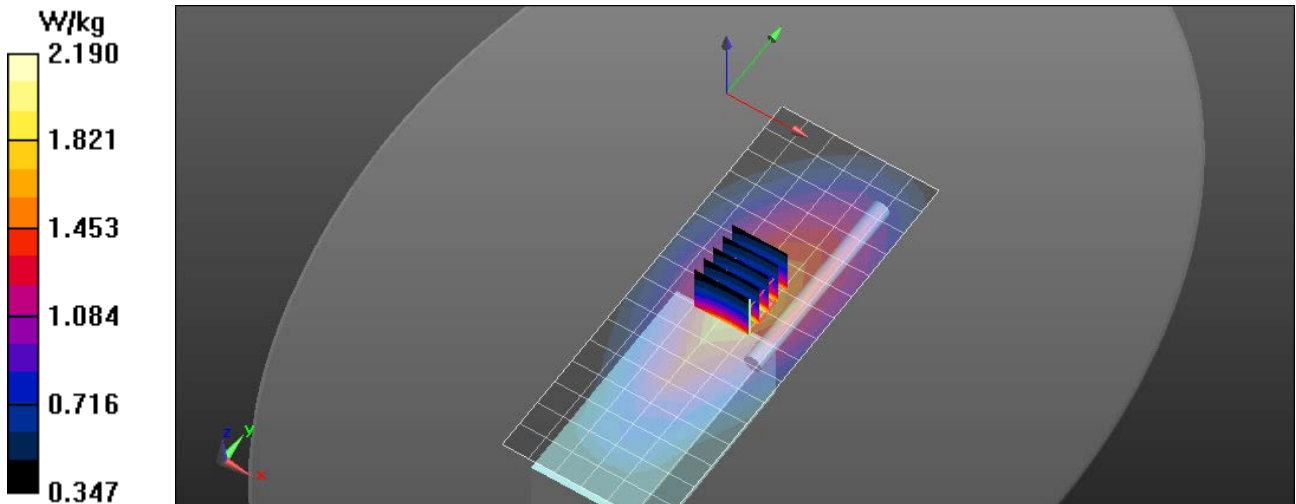
Test Date: Date: 12/27/2013; Ambient Temp: 23 °C; Tissue Temp: 21 °C

Probe: ES3DV3 - SN3311; ConvF(8.1, 8.1, 8.1); Calibrated: 1/17/2013;  
Sensor-Surface: 4mm (Mechanical Surface Detection)  
Electronics: DAE4 Sn759; Calibrated: 8/15/2013  
Phantom: ELI v4.0; Type: QDOVA001BB; Serial: TP:1065  
Measurement SW: DASY52, Version 52.8 (4); SEMCAD X Version 14.6.8 (7028)

### Procedure Notes:

**NX-240 Body/KRA-22M, KNB-29N 150 MHz/Area Scan (7x17x1):** Measurement grid:  $dx=15\text{mm}$ ,  $dy=15\text{mm}$   
Maximum value of SAR (measured) = 2.19 W/kg

**NX-240 Body/KRA-22M, KNB-29N 150 MHz/Zoom Scan (5x5x7)/Cube 0:** Measurement grid:  $dx=8\text{mm}$ ,  $dy=8\text{mm}$ ,  $dz=5\text{mm}$   
Reference Value = 50.424 V/m; Power Drift = -0.35 dB  
Peak SAR (extrapolated) = 3.61 W/kg  
**SAR(1 g) = 2.1 W/kg; SAR(10 g) = 1.41 W/kg**



## Appendix C – SAR Test Setup Photos



**Handset Face Configuration**



**Handset with Audio F and Body A Accessory Configuration**



**Front of Device**

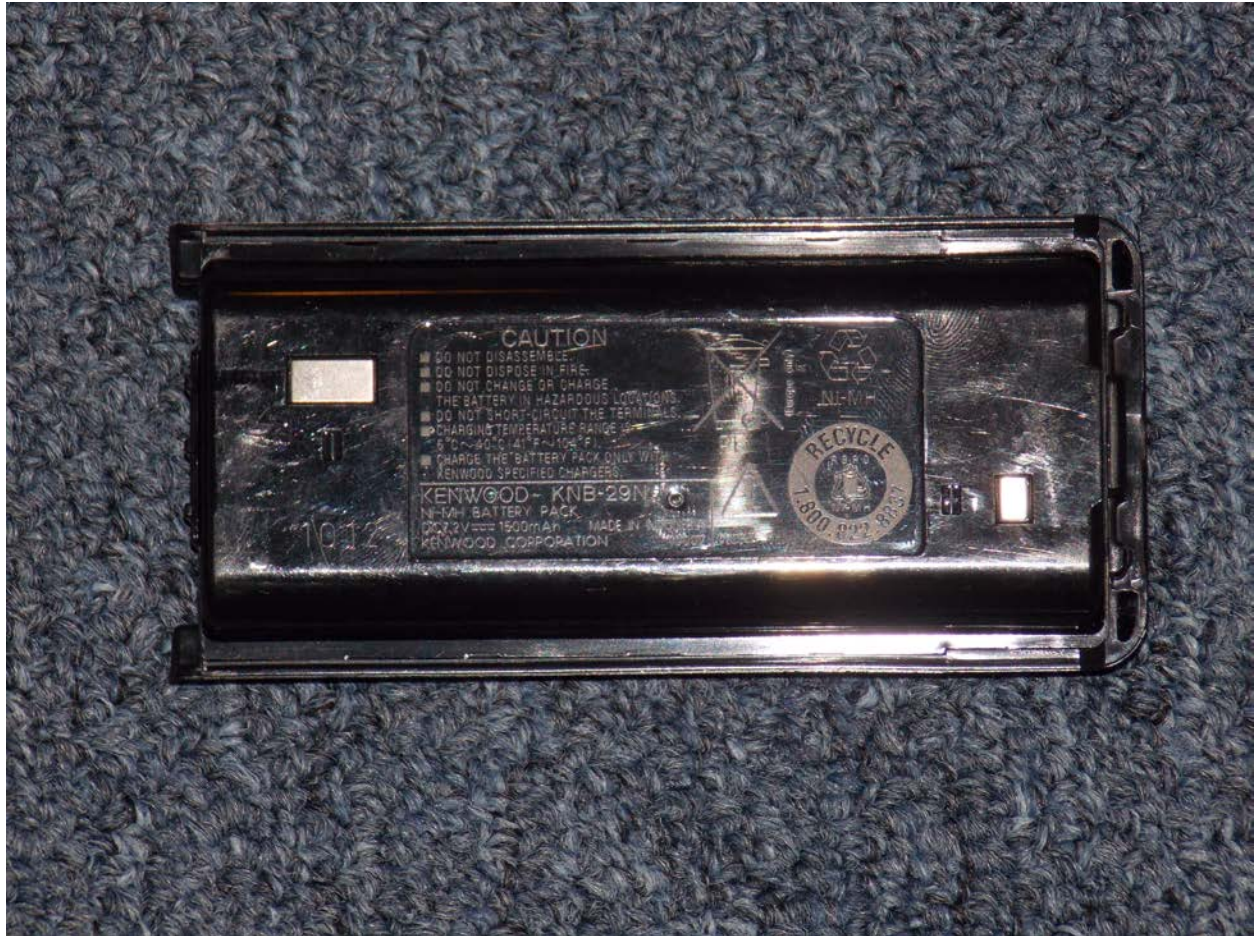




**Back of Device**



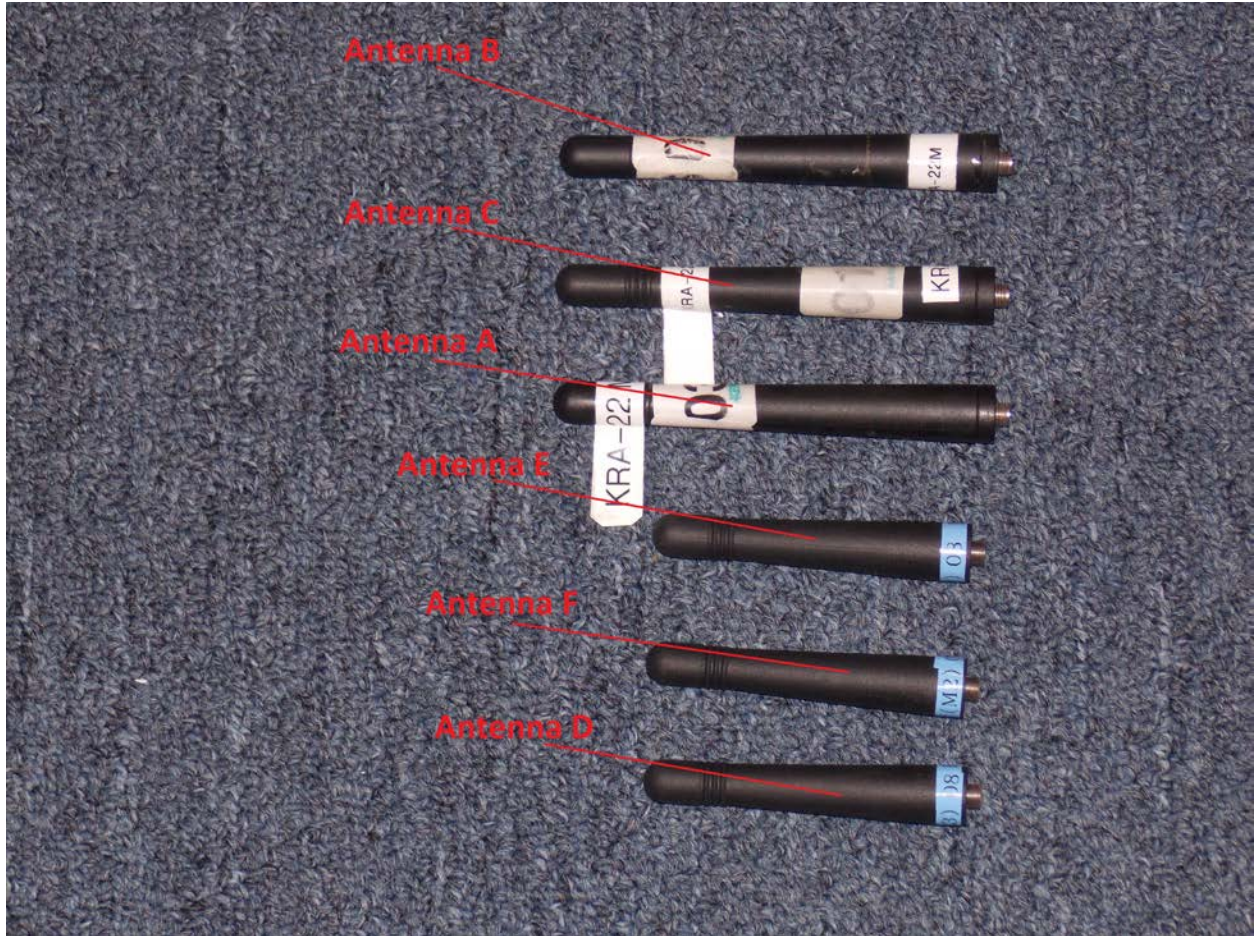
**KNB-69L Battery (A)**



**KNB-29N Battery (B)**



**KMC-21 Audio Accessory (A)**



**Antennas**

## Appendix D – Probe Calibration Data Sheets



Accredited by the Swiss Accreditation Service (SAS)  
The Swiss Accreditation Service is one of the signatories to the EA  
Multilateral Agreement for the recognition of calibration certificates

Accreditation No.: **SCS 108**

Client **RF Exposure Lab**

Certificate No: **ES3-3311\_Jan13**

## CALIBRATION CERTIFICATE

Object **ES3DV3 - SN:3311**

Calibration procedure(s) **QA CAL-01.v8, QA CAL-12.v7, QA CAL-23.v4, QA CAL-25.v4  
Calibration procedure for dosimetric E-field probes**

Calibration date: **January 16, 2013**

This calibration certificate documents the traceability to national standards, which realize the physical units of measurements (SI).  
The measurements and the uncertainties with confidence probability are given on the following pages and are part of the certificate.

All calibrations have been conducted in the closed laboratory facility: environment temperature ( $22 \pm 3$ )°C and humidity < 70%.

Calibration Equipment used (M&TE critical for calibration)

Primary Standards	ID	Cal Date (Certificate No.)	Scheduled Calibration
Power meter E4419B	GB41293874	29-Mar-12 (No. 217-01508)	Apr-13
Power sensor E4412A	MY41498087	29-Mar-12 (No. 217-01508)	Apr-13
Reference 3 dB Attenuator	SN: S5054 (3c)	27-Mar-12 (No. 217-01531)	Apr-13
Reference 20 dB Attenuator	SN: S5086 (20b)	27-Mar-12 (No. 217-01529)	Apr-13
Reference 30 dB Attenuator	SN: S5129 (30b)	27-Mar-12 (No. 217-01532)	Apr-13
Reference Probe ES3DV2	SN: 3013	28-Dec-12 (No. ES3-3013_Dec12)	Dec-13
DAE4	SN: 660	20-Jun-12 (No. DAE4-660_Jun12)	Jun-13
Secondary Standards	ID	Check Date (in house)	Scheduled Check
RF generator HP 8648C	US3642U01700	4-Aug-99 (in house check Apr-11)	In house check: Apr-13
Network Analyzer HP 8753E	US37390585	18-Oct-01 (in house check Oct-12)	In house check: Oct-13

Calibrated by:	Name <b>Jeton Kastrati</b>	Function Laboratory Technician	Signature 
Approved by:	Name <b>Katja Pokovic</b>	Function Technical Manager	Signature 

Issued: January 16, 2013

This calibration certificate shall not be reproduced except in full without written approval of the laboratory.



Accredited by the Swiss Accreditation Service (SAS)

Accreditation No.: **SCS 108**

The Swiss Accreditation Service is one of the signatories to the EA  
Multilateral Agreement for the recognition of calibration certificates

### Glossary:

TSL	tissue simulating liquid
NORM <sub>x,y,z</sub>	sensitivity in free space
ConvF	sensitivity in TSL / NORM <sub>x,y,z</sub>
DCP	diode compression point
CF	crest factor (1/duty_cycle) of the RF signal
A, B, C, D	modulation dependent linearization parameters
Polarization $\varphi$	$\varphi$ rotation around probe axis
Polarization $\vartheta$	$\vartheta$ rotation around an axis that is in the plane normal to probe axis (at measurement center), i.e., $\vartheta = 0$ is normal to probe axis

### Calibration is Performed According to the Following Standards:

- IEEE Std 1528-2003, "IEEE Recommended Practice for Determining the Peak Spatial-Averaged Specific Absorption Rate (SAR) in the Human Head from Wireless Communications Devices: Measurement Techniques", December 2003
- IEC 62209-1, "Procedure to measure the Specific Absorption Rate (SAR) for hand-held devices used in close proximity to the ear (frequency range of 300 MHz to 3 GHz)", February 2005

### Methods Applied and Interpretation of Parameters:

- NORM<sub>x,y,z</sub>**: Assessed for E-field polarization  $\vartheta = 0$  ( $f \leq 900$  MHz in TEM-cell;  $f > 1800$  MHz: R22 waveguide). NORM<sub>x,y,z</sub> are only intermediate values, i.e., the uncertainties of NORM<sub>x,y,z</sub> does not affect the E<sup>2</sup>-field uncertainty inside TSL (see below *ConvF*).
- NORM(f)<sub>x,y,z</sub>** = NORM<sub>x,y,z</sub> \* *frequency\_response* (see Frequency Response Chart). This linearization is implemented in DASY4 software versions later than 4.2. The uncertainty of the frequency response is included in the stated uncertainty of *ConvF*.
- DCP<sub>x,y,z</sub>**: DCP are numerical linearization parameters assessed based on the data of power sweep with CW signal (no uncertainty required). DCP does not depend on frequency nor media.
- PAR**: PAR is the Peak to Average Ratio that is not calibrated but determined based on the signal characteristics
- A<sub>x,y,z</sub>; B<sub>x,y,z</sub>; C<sub>x,y,z</sub>; D<sub>x,y,z</sub>; VR<sub>x,y,z</sub>**: A, B, C, D are numerical linearization parameters assessed based on the data of power sweep for specific modulation signal. The parameters do not depend on frequency nor media. VR is the maximum calibration range expressed in RMS voltage across the diode.
- ConvF and Boundary Effect Parameters**: Assessed in flat phantom using E-field (or Temperature Transfer Standard for  $f \leq 800$  MHz) and inside waveguide using analytical field distributions based on power measurements for  $f > 800$  MHz. The same setups are used for assessment of the parameters applied for boundary compensation (alpha, depth) of which typical uncertainty values are given. These parameters are used in DASY4 software to improve probe accuracy close to the boundary. The sensitivity in TSL corresponds to NORM<sub>x,y,z</sub> \* *ConvF* whereby the uncertainty corresponds to that given for *ConvF*. A frequency dependent *ConvF* is used in DASY version 4.4 and higher which allows extending the validity from  $\pm 50$  MHz to  $\pm 100$  MHz.
- Spherical isotropy (3D deviation from isotropy)**: in a field of low gradients realized using a flat phantom exposed by a patch antenna.
- Sensor Offset**: The sensor offset corresponds to the offset of virtual measurement center from the probe tip (on probe axis). No tolerance required.



# Probe ES3DV3

## SN:3311

Manufactured: July 5, 2011  
Calibrated: January 16, 2013

Calibrated for DASY/EASY Systems  
(Note: non-compatible with DASY2 system!)

# DASY/EASY - Parameters of Probe: ES3DV3 - SN:3311

## Basic Calibration Parameters

	Sensor X	Sensor Y	Sensor Z	Unc (k=2)
Norm ( $\mu\text{V}/(\text{V}/\text{m})^2$ ) <sup>A</sup>	1.28	1.07	0.47	$\pm 10.1\%$
DCP (mV) <sup>B</sup>	99.3	101.9	96.2	

## Modulation Calibration Parameters

UID	Communication System Name		A dB	B dB/ $\sqrt{\mu\text{V}}$	C	D dB	VR mV	Unc <sup>E</sup> (k=2)
0	CW	X	0.0	0.0	1.0	0.00	166.2	$\pm 3.0\%$
		Y	0.0	0.0	1.0		143.1	
		Z	0.0	0.0	1.0		160.5	

The reported uncertainty of measurement is stated as the standard uncertainty of measurement multiplied by the coverage factor k=2, which for a normal distribution corresponds to a coverage probability of approximately 95%.

<sup>A</sup> The uncertainties of NormX,Y,Z do not affect the E<sup>2</sup>-field uncertainty inside TSL (see Pages 5 and 6).

<sup>B</sup> Numerical linearization parameter: uncertainty not required.

<sup>E</sup> Uncertainty is determined using the max. deviation from linear response applying rectangular distribution and is expressed for the square of the field value.

## DASY/EASY - Parameters of Probe: ES3DV3 - SN:3311

### Calibration Parameter Determined in Head Tissue Simulating Media

f (MHz) <sup>C</sup>	Relative Permittivity <sup>F</sup>	Conductivity (S/m) <sup>F</sup>	ConvF X	ConvF Y	ConvF Z	Alpha	Depth (mm)	Unct. (k=2)
300	45.3	0.87	7.72	7.72	7.72	0.28	1.40	± 13.4 %
450	43.5	0.87	7.12	7.12	7.12	0.19	2.14	± 13.4 %
900	41.5	0.97	6.17	6.17	6.17	0.27	2.14	± 12.0 %
2600	39.0	1.96	4.44	4.44	4.44	0.80	1.37	± 12.0 %

<sup>C</sup> Frequency validity of ± 100 MHz only applies for DASY v4.4 and higher (see Page 2), else it is restricted to ± 50 MHz. The uncertainty is the RSS of the ConvF uncertainty at calibration frequency and the uncertainty for the indicated frequency band.

<sup>F</sup> At frequencies below 3 GHz, the validity of tissue parameters ( $\epsilon$  and  $\sigma$ ) can be relaxed to ± 10% if liquid compensation formula is applied to measured SAR values. At frequencies above 3 GHz, the validity of tissue parameters ( $\epsilon$  and  $\sigma$ ) is restricted to ± 5%. The uncertainty is the RSS of the ConvF uncertainty for indicated target tissue parameters.

## DASY/EASY - Parameters of Probe: ES3DV3 - SN:3311

### Calibration Parameter Determined in Body Tissue Simulating Media

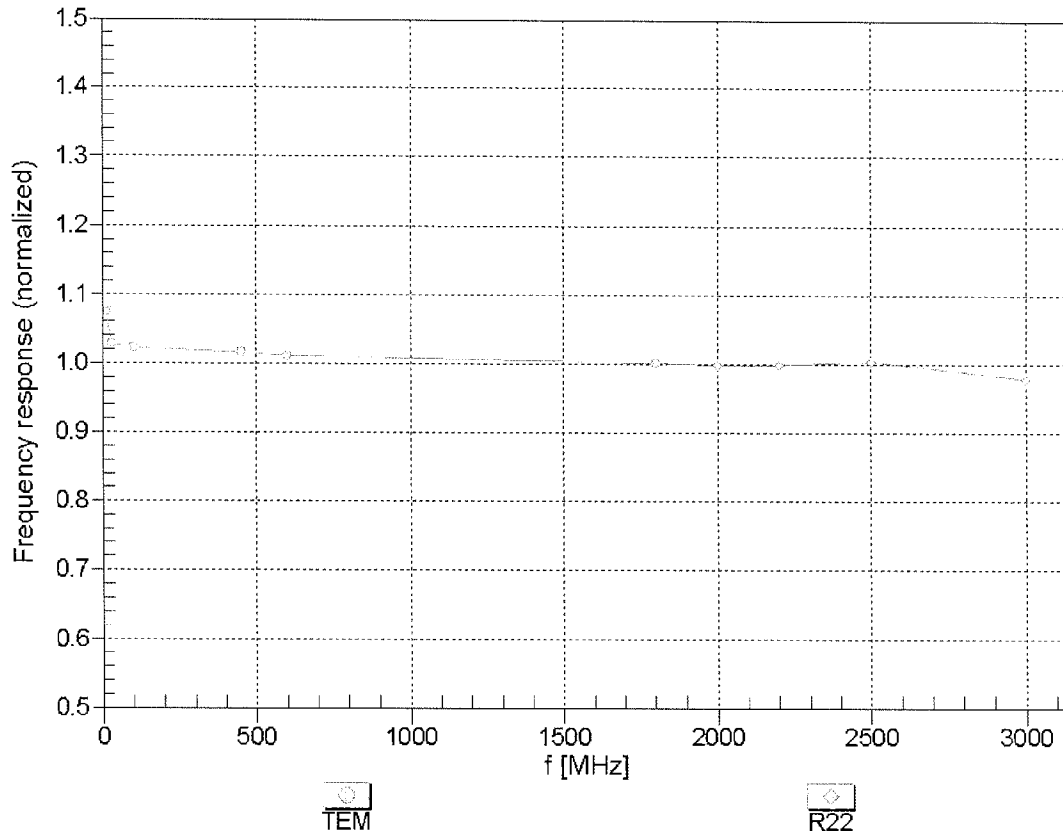
f (MHz) <sup>C</sup>	Relative Permittivity <sup>F</sup>	Conductivity (S/m) <sup>F</sup>	ConvF X	ConvF Y	ConvF Z	Alpha	Depth (mm)	Unct. (k=2)
300	58.2	0.92	7.03	7.03	7.03	0.22	1.55	± 13.4 %
450	56.7	0.94	7.16	7.16	7.16	0.11	1.00	± 13.4 %
900	55.0	1.05	6.14	6.14	6.14	0.38	1.67	± 12.0 %
2600	52.5	2.16	4.22	4.22	4.22	0.71	1.01	± 12.0 %

<sup>C</sup> Frequency validity of ± 100 MHz only applies for DASY v4.4 and higher (see Page 2), else it is restricted to ± 50 MHz. The uncertainty is the RSS of the ConvF uncertainty at calibration frequency and the uncertainty for the indicated frequency band.

<sup>F</sup> At frequencies below 3 GHz, the validity of tissue parameters ( $\epsilon$  and  $\sigma$ ) can be relaxed to ± 10% if liquid compensation formula is applied to measured SAR values. At frequencies above 3 GHz, the validity of tissue parameters ( $\epsilon$  and  $\sigma$ ) is restricted to ± 5%. The uncertainty is the RSS of the ConvF uncertainty for indicated target tissue parameters.

# Frequency Response of E-Field

(TEM-Cell:ifi110 EXX, Waveguide: R22)

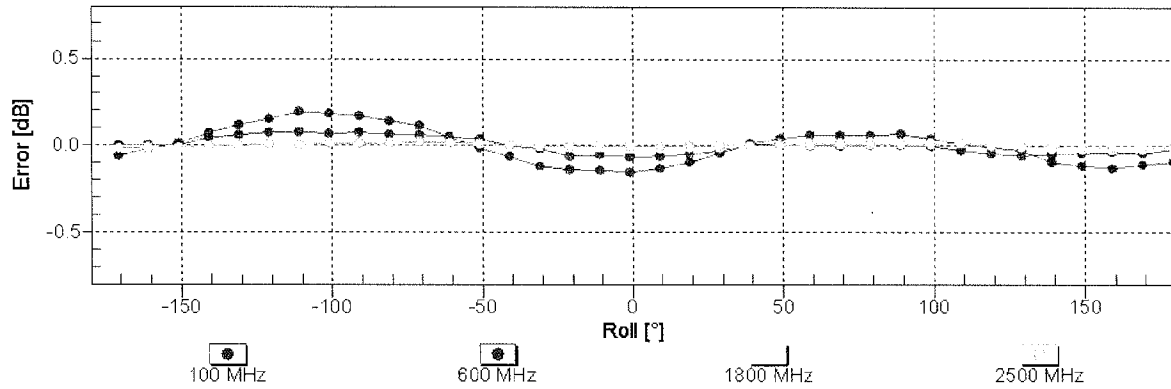
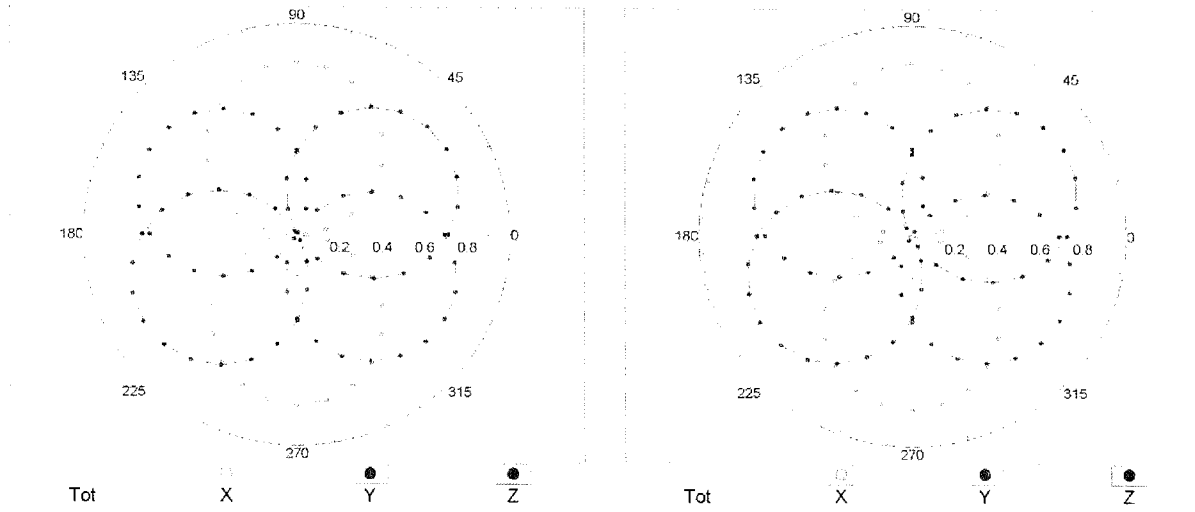


Uncertainty of Frequency Response of E-field:  $\pm 6.3\%$  (k=2)

# Receiving Pattern ( $\phi$ ), $\theta = 0^\circ$

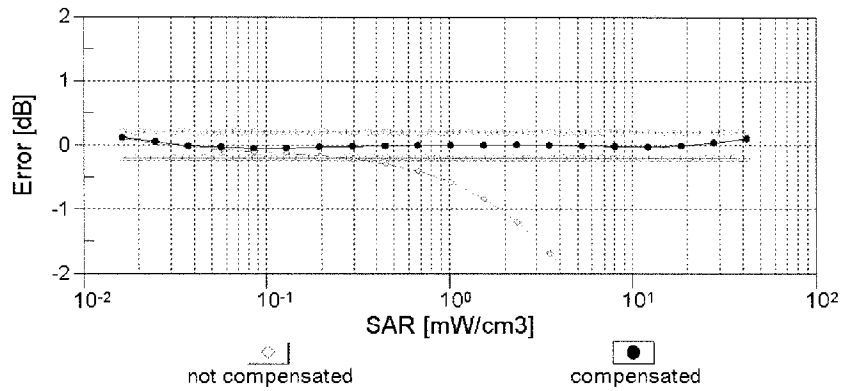
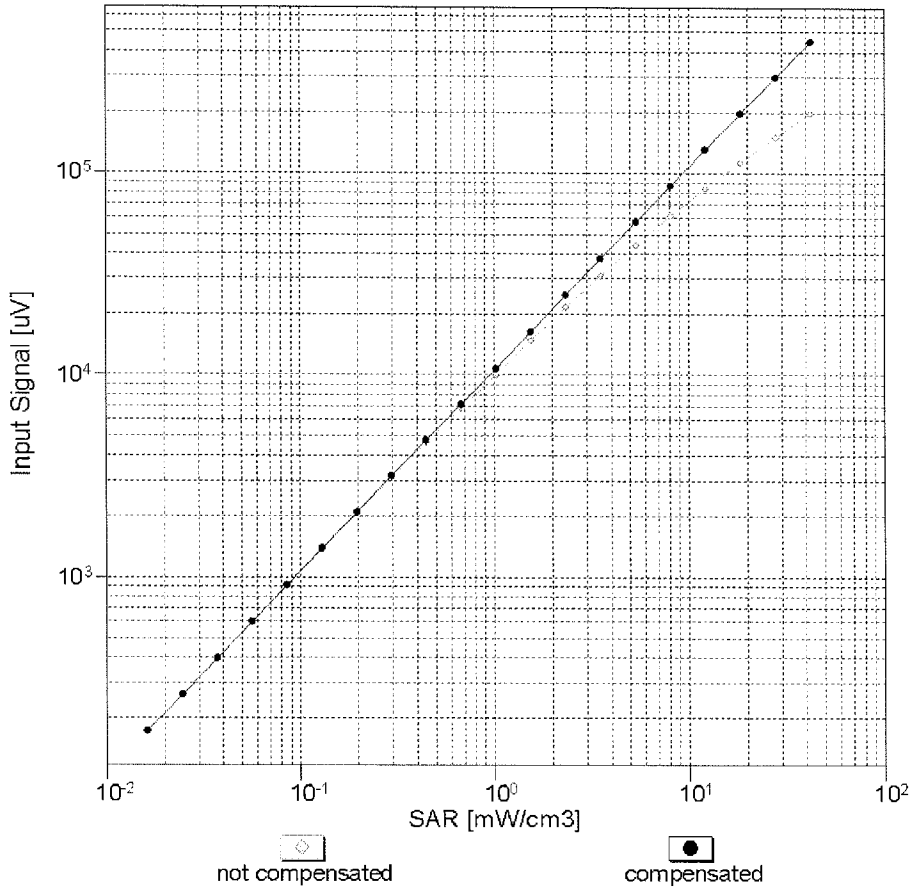
f=600 MHz,TEM

f=1800 MHz,R22



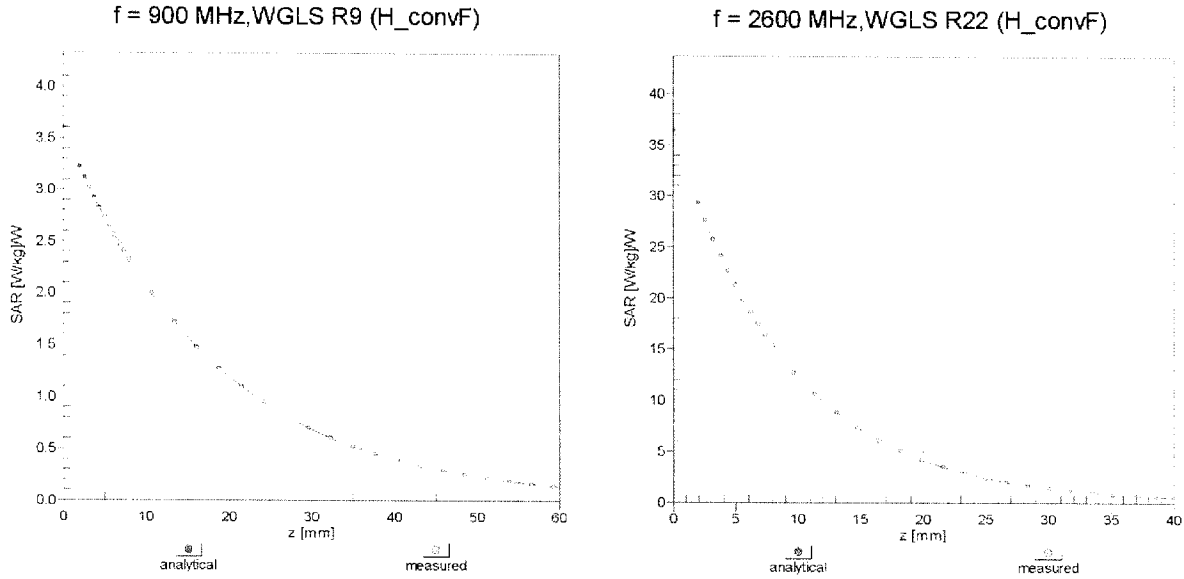
Uncertainty of Axial Isotropy Assessment:  $\pm 0.5\%$  (k=2)

### Dynamic Range $f(\text{SAR}_{\text{head}})$ (TEM cell , $f = 900 \text{ MHz}$ )

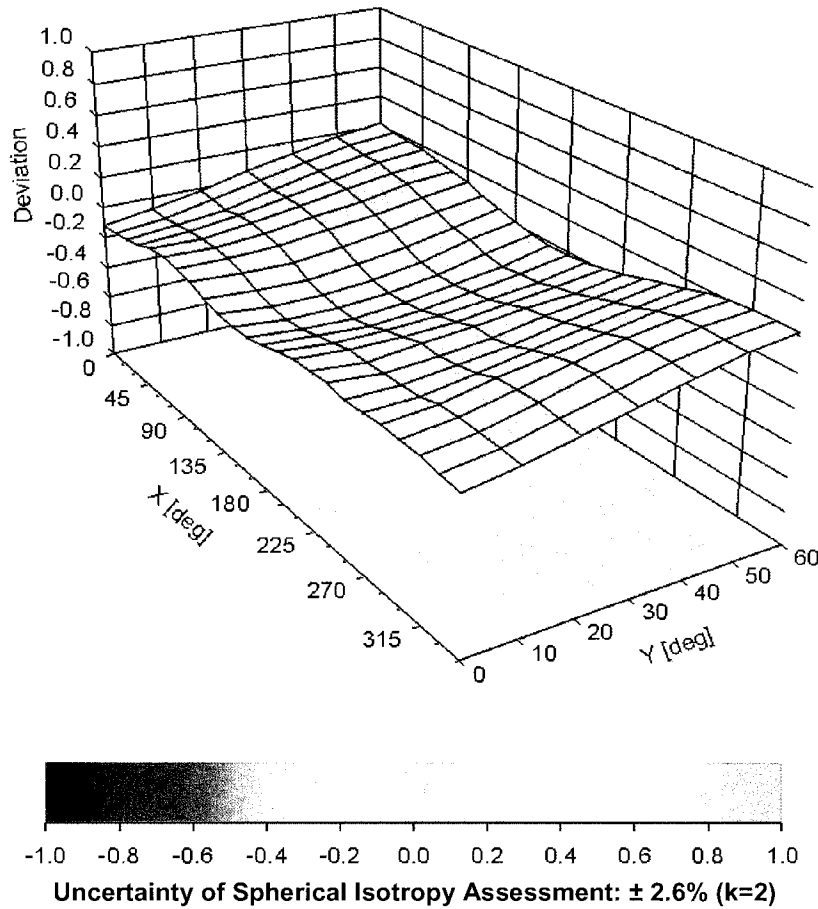


Uncertainty of Linearity Assessment:  $\pm 0.6\%$  ( $k=2$ )

# Conversion Factor Assessment



## Deviation from Isotropy in Liquid Error ( $\phi, \theta$ ), $f = 900$ MHz





## DASY/EASY - Parameters of Probe: ES3DV3 - SN:3311

### Other Probe Parameters

Sensor Arrangement	Triangular
Connector Angle (°)	59
Mechanical Surface Detection Mode	enabled
Optical Surface Detection Mode	disabled
Probe Overall Length	337 mm
Probe Body Diameter	10 mm
Tip Length	10 mm
Tip Diameter	4 mm
Probe Tip to Sensor X Calibration Point	2 mm
Probe Tip to Sensor Y Calibration Point	2 mm
Probe Tip to Sensor Z Calibration Point	2 mm
Recommended Measurement Distance from Surface	3 mm

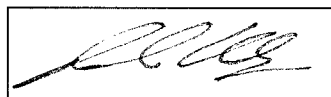
## **Additional Conversion Factors**

**for Dosimetric E-Field Probe**

Type:	<b>ES3DV3</b>
Serial Number:	<b>3311</b>
Place of Assessment:	<b>Zurich</b>
Date of Assessment:	<b>January 17, 2013</b>
Probe Calibration Date:	<b>January 16, 2013</b>

Schmid & Partner Engineering AG hereby certifies that conversion factor(s) of this probe have been evaluated on the date indicated above. The assessment was performed using the FDTD numerical code SEMCAD of Schmid & Partner Engineering AG. Since the evaluation is coupled with measured conversion factors, it has to be recalculated yearly, i.e., following the re-calibration schedule of the probe. The uncertainty of the numerical assessment is based on the extrapolation from measured value at 300, 450 and 900 MHz.

Assessed by:



## Dosimetric E-Field Probe ES3DV3 SN:3311

Conversion factor ( $\pm$  standard deviation)

150 $\pm$ 50 MHz	<i>ConvF</i>	8.39 $\pm$ 10%	$\epsilon_r = 52.3 \pm 5\%$ $\sigma = 0.76 \pm 5\%$ mho/m (head tissue)
250 $\pm$ 50 MHz	<i>ConvF</i>	7.80 $\pm$ 10%	$\epsilon_r = 47.6 \pm 5\%$ $\sigma = 0.83 \pm 5\%$ mho/m (head tissue)
150 $\pm$ 50 MHz	<i>ConvF</i>	8.10 $\pm$ 10%	$\epsilon_r = 61.9 \pm 5\%$ $\sigma = 0.80 \pm 5\%$ mho/m (body tissue)
250 $\pm$ 50 MHz	<i>ConvF</i>	7.68 $\pm$ 10%	$\epsilon_r = 59.4 \pm 5\%$ $\sigma = 0.88 \pm 5\%$ mho/m (body tissue)

### Important Note:

For numerically assessed probe conversion factors, parameters Alpha and Delta in the DASY software must have the following entries: Alpha = 0 and Delta = 1.

**Please see also DASY Manual.**

## Appendix E – Dipole Calibration Data Sheets

**Calibration Laboratory of  
Schmid & Partner  
Engineering AG**  
Zeughausstrasse 43, 8004 Zurich, Switzerland



**S** Schweizerischer Kalibrierdienst  
**S** Service suisse d'étalonnage  
**C** Servizio svizzero di taratura  
**S** Swiss Calibration Service

Accredited by the Swiss Accreditation Service (SAS)  
The Swiss Accreditation Service is one of the signatories to the EA  
Multilateral Agreement for the recognition of calibration certificates

Accreditation No.: **SCS 108**

Client **RF Exposure Lab**

Certificate No: **CLA150-4002\_Dec13**

## CALIBRATION CERTIFICATE

Object **CLA150.- SN: 4002**

Calibration procedure(s) **QA CAL-15.v8  
Calibration procedure for system validation sources below 700 MHz**

Calibration date: **December 03, 2013**

This calibration certificate documents the traceability to national standards, which realize the physical units of measurements (SI).  
The measurements and the uncertainties with confidence probability are given on the following pages and are part of the certificate.

All calibrations have been conducted in the closed laboratory facility: environment temperature (22 ± 3)°C and humidity < 70%.

Calibration Equipment used (M&TE critical for calibration)

Primary Standards	ID #	Cal Date (Certificate No.)	Scheduled Calibration
Power meter E4419B	GB41293874	04-Apr-13 (No. 217-01733)	Apr-14
Power sensor E4412A	MY41498087	04-Apr-13 (No. 217-01733)	Apr-14
Reference 3 dB Attenuator	SN: S5054 (3c)	04-Apr-13 (No. 217-01737)	Apr-14
Reference 20 dB Attenuator	SN: S5058 (20k)	04-Apr-13 (No. 217-01736)	Apr-14
Type-N mismatch combination	SN: 5047.3 / 06327	04-Apr-13 (No. 217-01739)	Apr-14
Reference Probe EX3DV4	SN: 3877	26-Nov-13 (No. EX3-3877_Nov13)	Nov-14
DAE4	SN: 654	18-Jul-13 (No. DAE4-654_Jul13)	Jul-14
Secondary Standards	ID #	Check Date (in house)	Scheduled Check
RF generator HP 8648C	US3642U01700	04-Aug-99 (in house check Apr-13)	In house check: Apr-15
Network Analyzer HP 8753E	US37390585 S4206	18-Oct-01 (in house check Oct-13)	In house check: Oct-14

Calibrated by: **israe El-Naouq**      Name: **israe El-Naouq**      Function: **Laboratory Technician**

Approved by: **Katja Pokovic**      Name: **Katja Pokovic**      Function: **Technical Manager**

Signature

Issued: December 4, 2013

This calibration certificate shall not be reproduced except in full without written approval of the laboratory.



Accredited by the Swiss Accreditation Service (SAS)

Accreditation No.: **SCS 108**

The Swiss Accreditation Service is one of the signatories to the EA  
Multilateral Agreement for the recognition of calibration certificates

**Glossary:**

TSL	tissue simulating liquid
ConvF	sensitivity in TSL / NORM x,y,z
N/A	not applicable or not measured

**Calibration is Performed According to the Following Standards:**

- a) IEC 62209-2, "Procedure to measure the Specific Absorption Rate (SAR) for hand-held devices used in close proximity to the ear (frequency range of 300 MHz to 3 GHz)", February 2013
- b) KDB 865664, "SAR Measurement Requirements for 100 MHz to 6 GHz"

**Additional Documentation:**

- c) DAS4/5 System Handbook

**Methods Applied and Interpretation of Parameters:**

- *Measurement Conditions:* Further details are available from the Validation Report at the end of the certificate. All figures stated in the certificate are valid at the frequency indicated.
- *Antenna Parameters with TSL:* The source is mounted in a touch configuration below the center marking of the flat phantom.
- *Return Loss:* This parameter is measured with the source positioned under the liquid filled phantom (as described in the measurement condition clause). The Return Loss ensures low reflected power. No uncertainty required.
- *SAR measured:* SAR measured at the stated antenna input power.
- *SAR normalized:* SAR as measured, normalized to an input power of 1 W at the antenna connector.
- *SAR for nominal TSL parameters:* The measured TSL parameters are used to calculate the nominal SAR result.

The reported uncertainty of measurement is stated as the standard uncertainty of measurement multiplied by the coverage factor  $k=2$ , which for a normal distribution corresponds to a coverage probability of approximately 95%.

## Measurement Conditions

DASY system configuration, as far as not given on page 1.

<b>DASY Version</b>	DASY5	V52.8.7
<b>Extrapolation</b>	Advanced Extrapolation	
<b>Phantom</b>	ELI4 Flat Phantom	Shell thickness: $2 \pm 0.2$ mm
<b>EUT Positioning</b>	Touch Position	
<b>Zoom Scan Resolution</b>	$dx, dy, dz = 5.0$ mm	
<b>Frequency</b>	$150 \text{ MHz} \pm 1 \text{ MHz}$	

## Head TSL parameters

The following parameters and calculations were applied.

	Temperature	Permittivity	Conductivity
<b>Nominal Head TSL parameters</b>	22.0 °C	52.3	0.76 mho/m
<b>Measured Head TSL parameters</b>	$(22.0 \pm 0.2)$ °C	$50.0 \pm 6 \%$	$0.75 \text{ mho/m} \pm 6 \%$
<b>Head TSL temperature change during test</b>	< 0.5 °C	----	----

## SAR result with Head TSL

<b>SAR averaged over 1 cm<sup>3</sup> (1 g) of Head TSL</b>	Condition	
SAR measured	1 W input power	3.81 W/kg
SAR for nominal Head TSL parameters	normalized to 1W	<b>3.81 W/kg <math>\pm</math> 18.4 % (k=2)</b>

<b>SAR averaged over 10 cm<sup>3</sup> (10 g) of Head TSL</b>	condition	
SAR measured	1 W input power	2.53 W/kg
SAR for nominal Head TSL parameters	normalized to 1W	<b>2.53 W/kg <math>\pm</math> 18.0 % (k=2)</b>

## Body TSL parameters

The following parameters and calculations were applied.

	Temperature	Permittivity	Conductivity
<b>Nominal Body TSL parameters</b>	22.0 °C	61.9	0.80 mho/m
<b>Measured Body TSL parameters</b>	$(22.0 \pm 0.2)$ °C	$63.0 \pm 6 \%$	$0.81 \text{ mho/m} \pm 6 \%$
<b>Body TSL temperature change during test</b>	< 0.5 °C	----	----

## SAR result with Body TSL

<b>SAR averaged over 1 cm<sup>3</sup> (1 g) of Body TSL</b>	Condition	
SAR measured	1 W input power	2.99 W/kg
SAR for nominal Body TSL parameters	normalized to 1W	<b>2.98 W/kg <math>\pm</math> 18.4 % (k=2)</b>

<b>SAR averaged over 10 cm<sup>3</sup> (10 g) of Body TSL</b>	condition	
SAR measured	1 W input power	1.99 W/kg
SAR for nominal Body TSL parameters	normalized to 1W	<b>1.98 W/kg <math>\pm</math> 18.0 % (k=2)</b>

## Appendix

### Antenna Parameters with Head TSL

Impedance, transformed to feed point	42.9 $\Omega$ - 4.2 j $\Omega$
Return Loss	- 21.0 dB

### Antenna Parameters with Body TSL

Impedance, transformed to feed point	45.3 $\Omega$ - 6.7 j $\Omega$
Return Loss	- 21.4 dB

### Additional EUT Data

Manufactured by	SPEAG
Manufactured on	August 23, 2013



## DASY5 Validation Report for Head TSL

Date: 02.12.2013

Test Laboratory: SPEAG, Zurich, Switzerland

**DUT: CLA150; Type: CLA150; Serial: CLA150 - SN: 4002**

Communication System: UID 0 - CW; Frequency: 150 MHz

Medium parameters used:  $f = 150$  MHz;  $\sigma = 0.75$  S/m;  $\epsilon_r = 50$ ;  $\rho = 1000$  kg/m<sup>3</sup>

Phantom section: Flat Section

Measurement Standard: DASY5 (IEEE/IEC/ANSI C63.19-2007)

DASY52 Configuration:

- Probe: EX3DV4 - SN3877; ConvF(11.76, 11.76, 11.76); Calibrated: 26.11.2013;
- Sensor-Surface: 2mm (Mechanical Surface Detection)
- Electronics: DAE4 Sn654; Calibrated: 18.07.2013
- Phantom: ELI v4.0; Type: QDOVA001BB; Serial: TP:1003
- DASY52 52.8.7(1137); SEMCAD X 14.6.10(7164)

### CLA Calibration for HSL-LF Tissue/CLA150, touch configuration, Pin=1W/Area Scan

**(81x81x1):** Interpolated grid: dx=1.500 mm, dy=1.500 mm

Maximum value of SAR (interpolated) = 4.87 W/kg

### CLA Calibration for HSL-LF Tissue/CLA150, touch configuration, Pin=1W/Zoom Scan

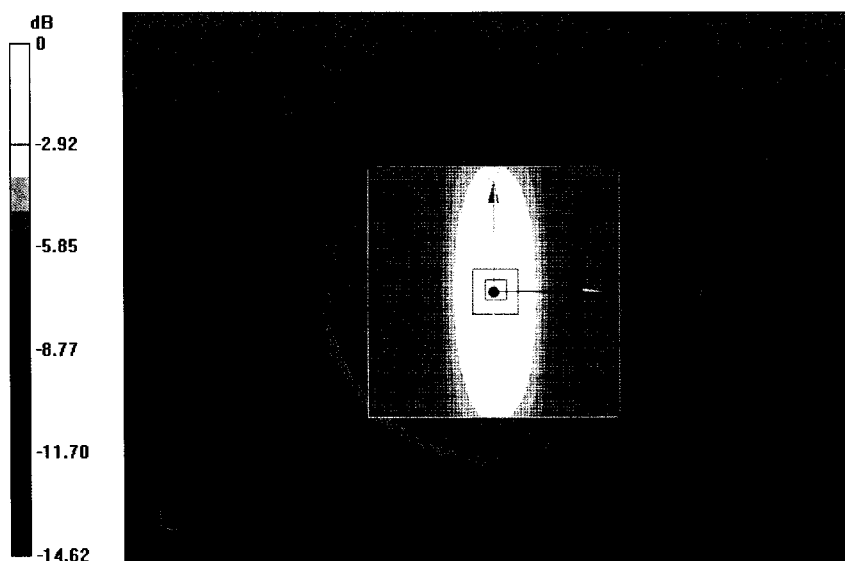
**(7x7x7)/Cube 0:** Measurement grid: dx=5mm, dy=5mm, dz=5mm

Reference Value = 80.630 V/m; Power Drift = -0.06 dB

Peak SAR (extrapolated) = 6.10 W/kg

**SAR(1 g) = 3.81 W/kg; SAR(10 g) = 2.53 W/kg**

Maximum value of SAR (measured) = 4.90 W/kg



0 dB = 4.87 W/kg = 6.88 dBW/kg

# Impedance Measurement Plot for Head TSL

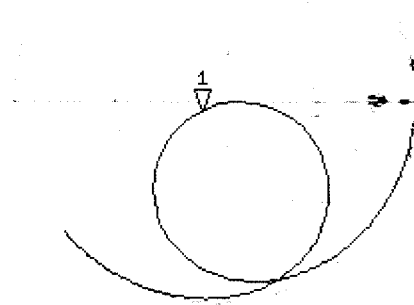
2 Dec 2013 18:46:05  
 [CH1] S11 1 U FS 1: 42.859  $\Omega$  -4.2266  $\Omega$  251.04 pF 150.000 000 MHz

\*

CΔ

Avg  
16

H1 d



CH2 S11 LOG 3,5 dB/REF -10 dB 1:-20.985 dB 150.000 000 MHz

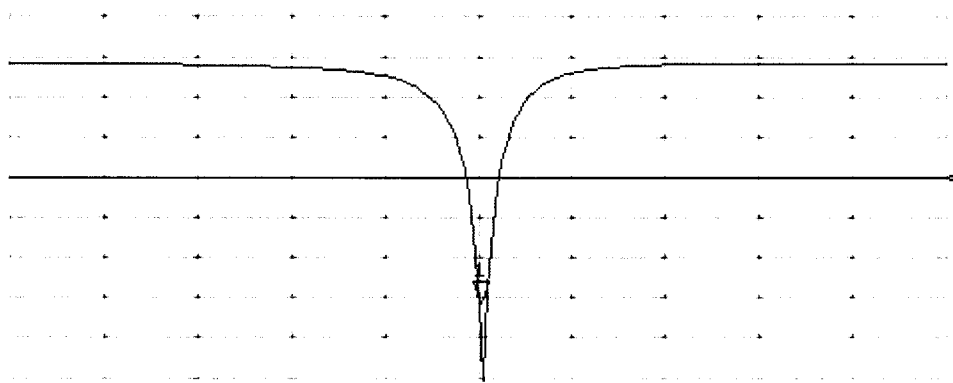
CΔ

Avg  
16

H1 d

START 100.000 000 MHz

STOP 200.000 000 MHz



## DASY5 Validation Report for Body TSL

Date: 03.12.2013

Test Laboratory: SPEAG, Zurich, Switzerland

**DUT: CLA150; Type: CLA150; Serial: CLA150 - SN: 4002**

Communication System: UID 0 - CW; Frequency: 150 MHz

Medium parameters used:  $f = 150$  MHz;  $\sigma = 0.806$  S/m;  $\epsilon_r = 63$ ;  $\rho = 1000$  kg/m<sup>3</sup>

Phantom section: Flat Section

Measurement Standard: DASY5 (IEEE/IEC/ANSI C63.19-2007)

DASY52 Configuration:

- Probe: EX3DV4 - SN3877; ConvF(14.99, 14.99, 14.99); Calibrated: 26.11.2013;
- Sensor-Surface: 2mm (Mechanical Surface Detection)
- Electronics: DAE4 Sn654; Calibrated: 18.07.2013
- Phantom: ELI v4.0; Type: QDOVA001BB; Serial: TP:1003
- DASY52 52.8.7(1137); SEMCAD X 14.6.10(7164)

### CLA Calibration for MSL-LF Tissue/CLA150, touch configuration, Pin=1W/Area Scan

**(81x81x1):** Interpolated grid: dx=1.500 mm, dy=1.500 mm

Maximum value of SAR (interpolated) = 3.84 W/kg

### CLA Calibration for MSL-LF Tissue/CLA150, touch configuration, Pin=1W/Zoom Scan

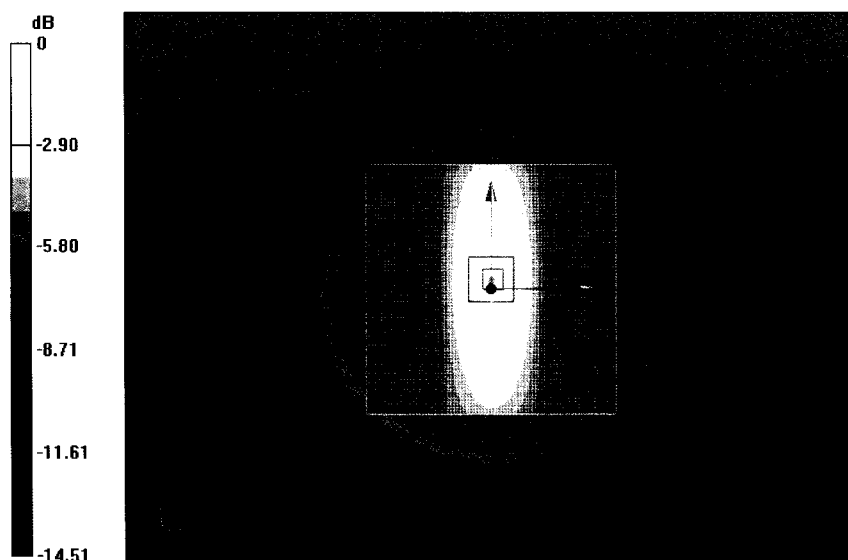
**(7x7x7)/Cube 0:** Measurement grid: dx=5mm, dy=5mm, dz=5mm

Reference Value = 68.82 V/m; Power Drift = -0.02 dB

Peak SAR (extrapolated) = 4.76 W/kg

**SAR(1 g) = 2.99 W/kg; SAR(10 g) = 1.99 W/kg**

Maximum value of SAR (measured) = 3.83 W/kg



# Impedance Measurement Plot for Body TSL

3 Dec 2013 15:20:32  
 [CH1] S11 1 U FS 1: 45.330  $\Omega$  -6.6641  $\Omega$  159.22 pF 150.000 000 MHz

\*

CA

Avg  
16

H1d

CH2 S11 LOG 3,5 dB/REF -10 dB 1:-21.396 dB 150.000 000 MHz

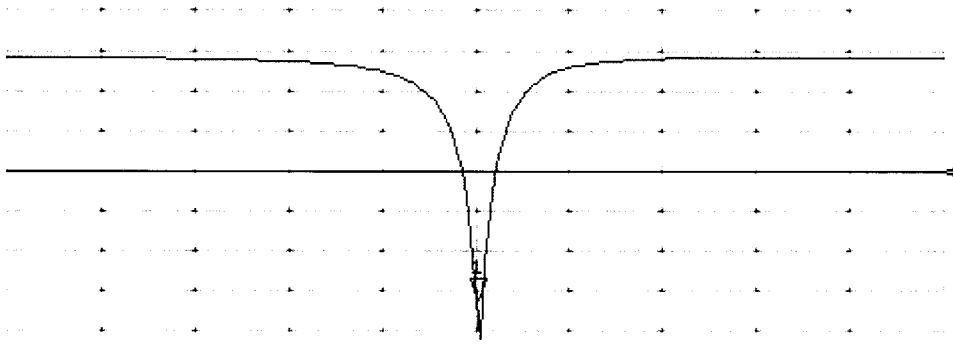
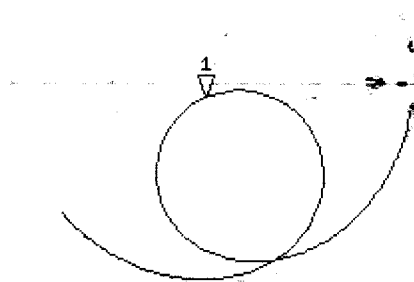
CA

Avg  
16

H1d

START 100.000 000 MHz

STOP 200.000 000 MHz



## **Appendix F – Phantom Calibration Data Sheets**

Zeughausstrasse 43, 8004 Zurich, Switzerland  
 Phone +41 44 245 9700, Fax +41 44 245 9779  
 info@speag.com, http://www.speag.com

## Certificate of Conformity / First Article Inspection

Item	Oval Flat Phantom ELI 4.0
Type No	QD OVA 001 B
Series No	1003 and higher
Manufacturer	Untersee Composites Knebelstrasse 8 CH-8268 Mannenbach, Switzerland

### Tests

Complete tests were made on the prototype units QD OVA 001 AA 1001, QD OVA 001 AB 1002, pre-series units QD OVA 001 BA 1003-1005 as well as on the series units QD OVA 001 BB, 1006 ff.

Test	Requirement	Details	Units tested
Material thickness	Compliant with the standard requirements	Bottom plate: 2.0mm +/- 0.2mm	all
Material parameters	Dielectric parameters for required frequencies	< 6 GHz: Rel. permittivity = 4 +/-1, Loss tangent ≤ 0.05	Material sample
Material resistivity	The material has been tested to be compatible with the liquids defined in the standards if handled and cleaned according to the instructions.	DGBE based simulating liquids. Observe Technical Note for material compatibility.	Equivalent phantoms, Material sample
Shape	Thickness of bottom material, Internal dimensions, Sagging compatible with standards from minimum frequency	Bottom elliptical 600 x 400 mm Depth 190 mm, Shape is within tolerance for filling height up to 155 mm, Eventual sagging is reduced or eliminated by support via DUT	Prototypes, Sample testing

### Standards

- [1] CENELEC EN 50361-2001, « Basic standard for the measurement of the Specific Absorption Rate related to human exposure to electromagnetic fields from mobile phones (300 MHz – 3 GHz) », July 2001
- [2] IEEE 1528-2003, "Recommended Practice for Determining the Peak Spatial-Average Specific Absorption Rate (SAR) in the Human Head from Wireless Communications Devices: Measurement Techniques, December 2003
- [3] IEC 62209 – 1, "Specific Absorption Rate (SAR) in the frequency range of 300 MHz to 3 GHz – Measurement Procedure, Part 1: Hand-held mobile wireless communication devices", February 2005
- [4] IEC 62209 – 2, Draft, "Human Exposure to Radio Frequency Fields from Handheld and Body-Mounted Wireless Communication Devices – Human models, Instrumentation and Procedures – Part 2: Procedure to determine the Specific Absorption Rate (SAR) in the head and body for 30 MHz to 6 GHz Handheld and Body-Mounted Devices used in close proximity to the Body.", February 2005
- [5] OET Bulletin 65, Supplement C, "Evaluating Compliance with FCC Guidelines for Human Exposure to Radiofrequency Electromagnetic Fields", Edition January 2001

Based on the tests above, we certify that this item is in compliance with the standards [1] to [5] if operated according to the specific requirements and considering the thickness. The dimensions are fully compliant with [4] from 30 MHz to 6 GHz. For the other standards, the minimum lower frequency limit is limited due to the dimensional requirements ([1]: 450 MHz, [2]: 300 MHz, [3]: 800 MHz, [5]: 375 MHz) and possibly further by the dimensions of the DUT.

Date 28.4.2008

Signature / Stamp

**s p e a g**  
 Schmid & Partner Engineering AG  
 Zeughausstrasse 43, 8004 Zurich, Switzerland  
 Phone +41 44 245 9700, Fax +41 44 245 9779  
 info@speag.com; http://www.speag.com