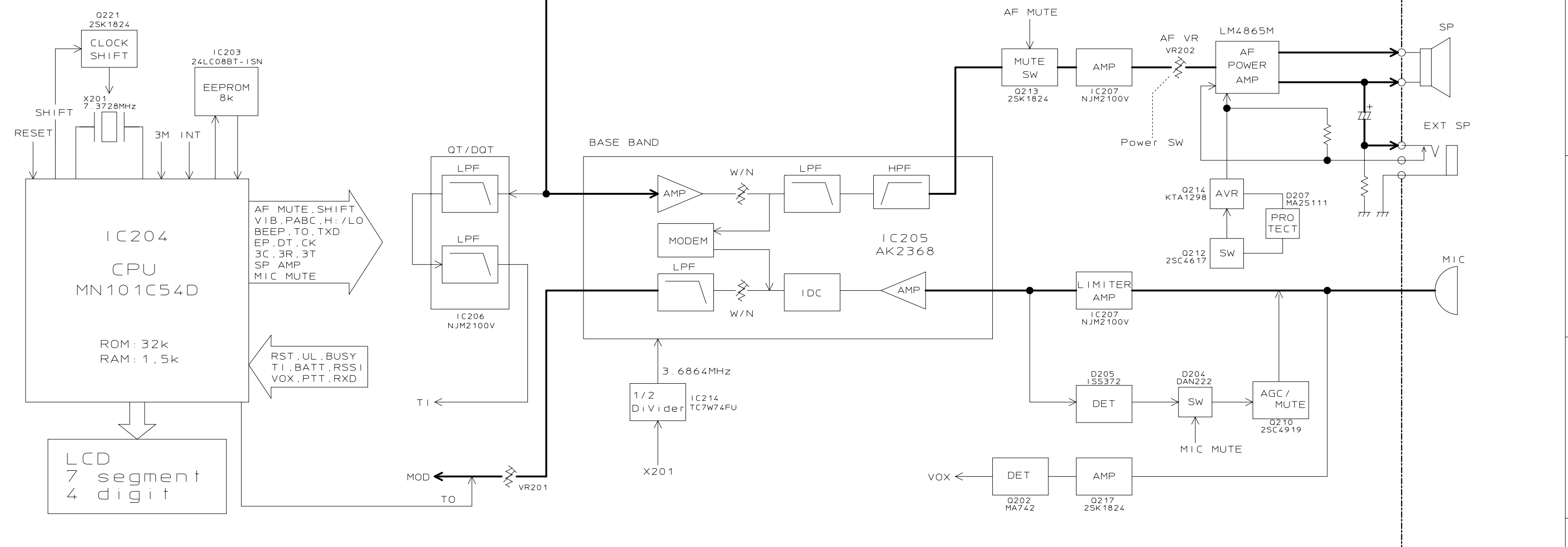
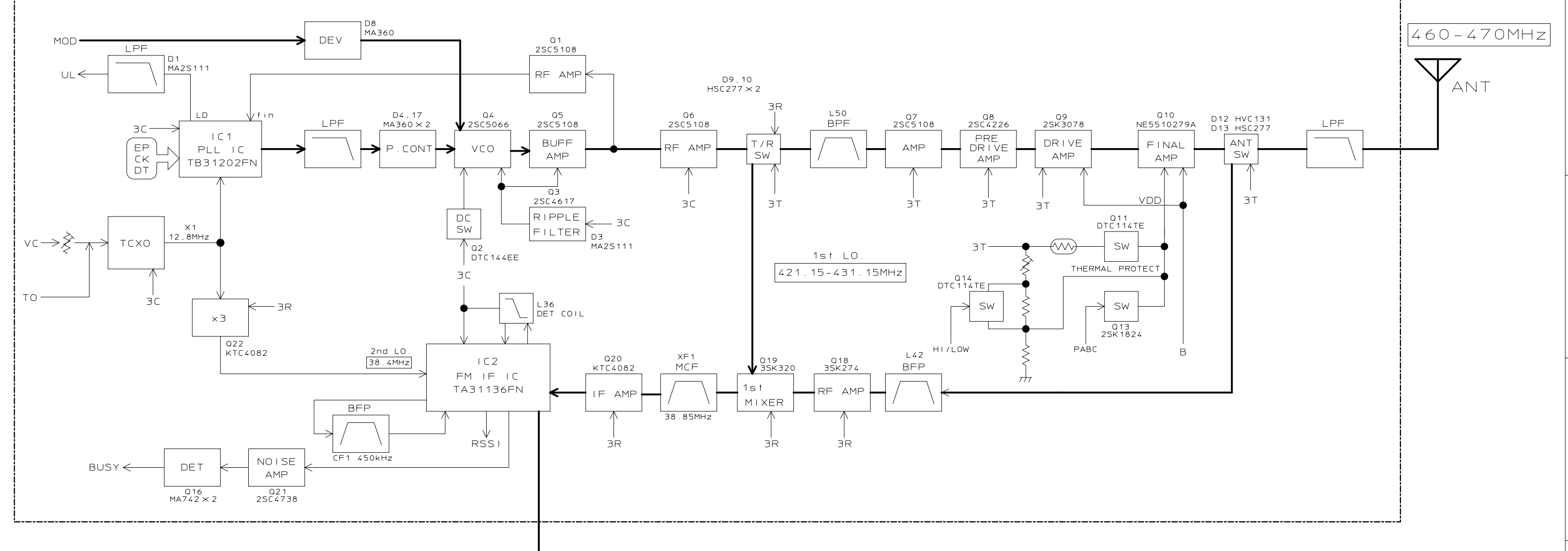
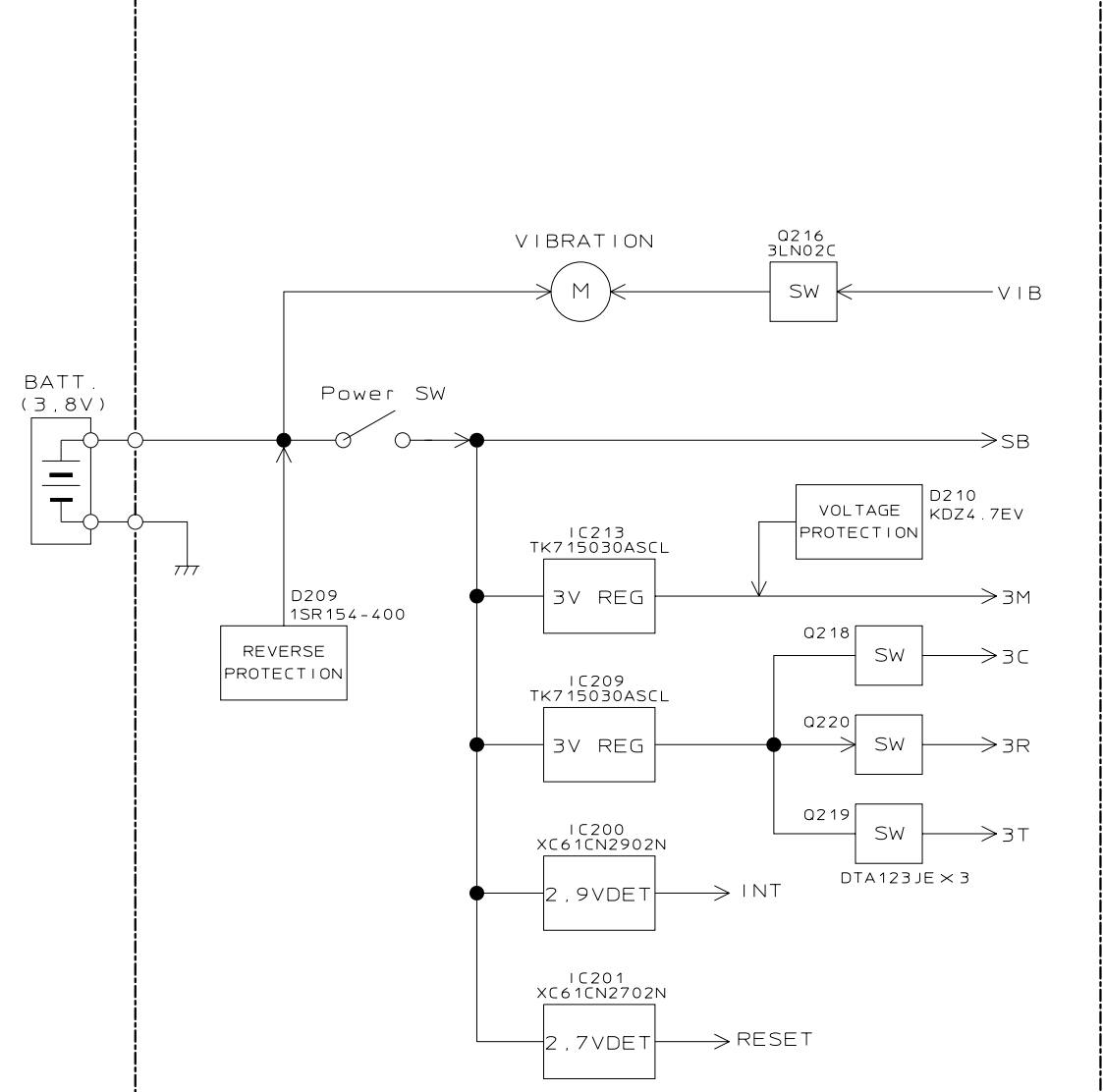


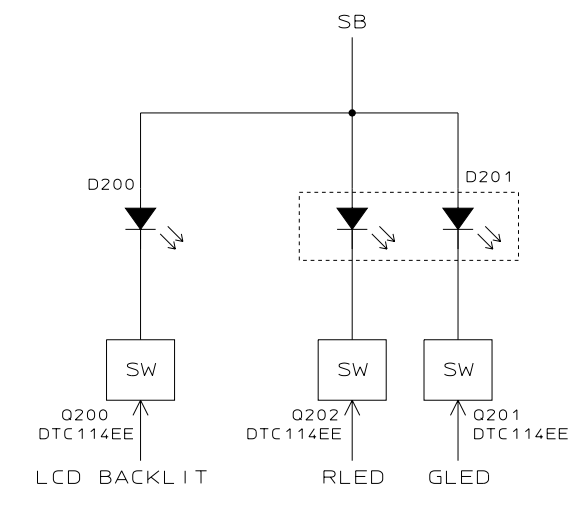
USE FOR	SYMBOL	REVISION NO	ISSUED	DATE
X57-646-***	△ x			-
	△ x			-
	△ x			-
	△ x			-
	△ x			-
	△ x			-
	△ x			-
	△ x			-

CONTROL : X57-646(A/2)

RF : X57-646(B/2)



- KEY
- MODE
 - UP
 - DOWN
 - PTT
 - MONI
 - CALL



DESIGNED	DRAWN	CHECKED	APPROVED	PART NAME
				ブロック図 BLOCK DIAGRAM
				PART NUMBER
				TK-3130/3131K

株式会社ケンウッド KENWOOD CORPORATION