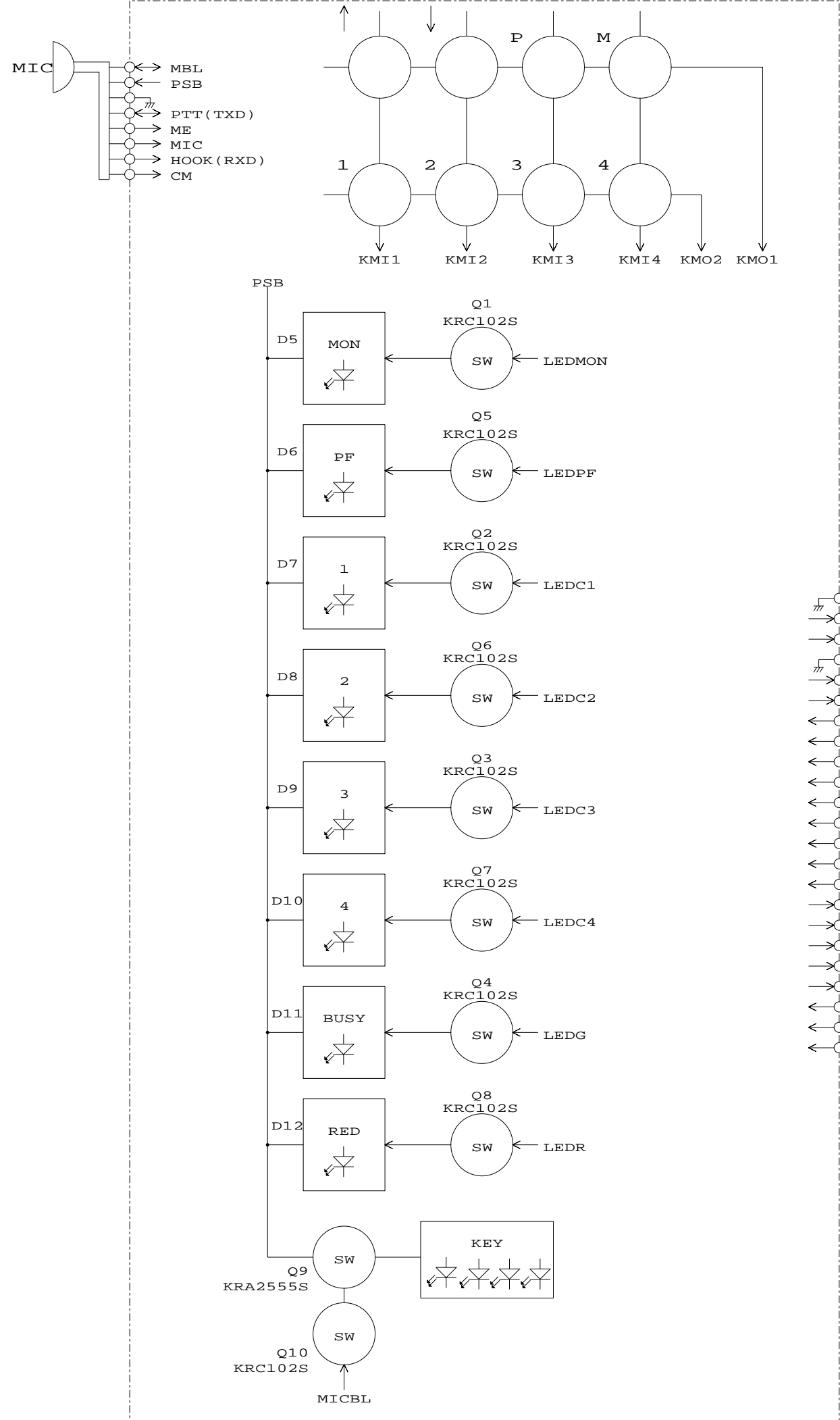


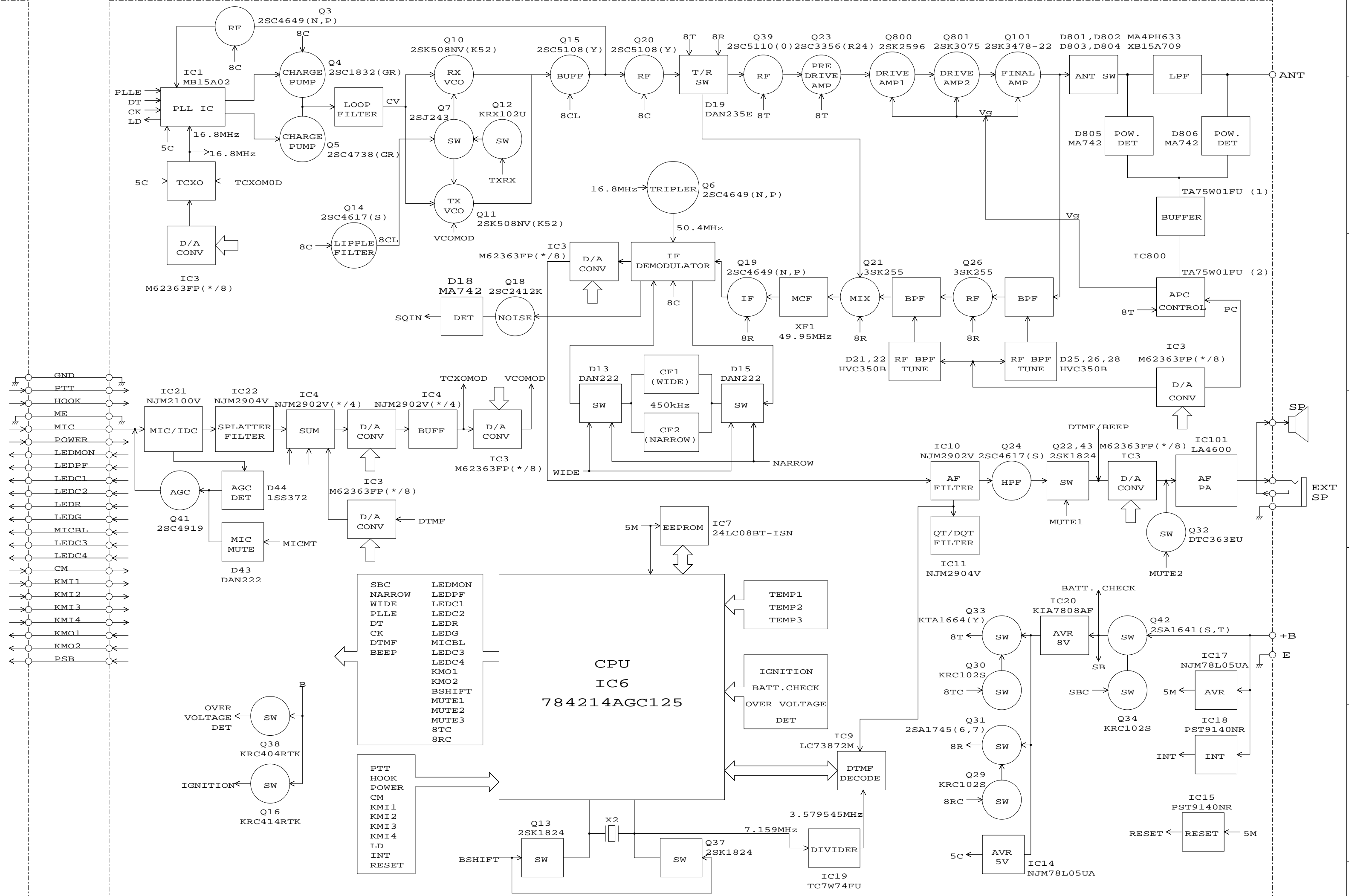
# TK-8102H(K3) BLOCK DIAGRAM

USE FOR	SYMBOL	REVISION NO	ISSUED	DATE
	△ ×			- -
	△ ×			- -
	△ ×			- -
	△ ×			- -
	△ ×			- -
	△ ×			- -
	△ ×			- -
	△ ×			- -

## DISPLAY UNIT X54-334\*-\*\*



## TX-RX UNIT X57-639\*-\*\*



DESIGNED	DRAWN	CHECKED	APPROVED	PART NAME
				<b>BLOCK DIAGRAM</b>
				PART NUMBER
株式会社ケンウッド KENWOOD CORPORATION				