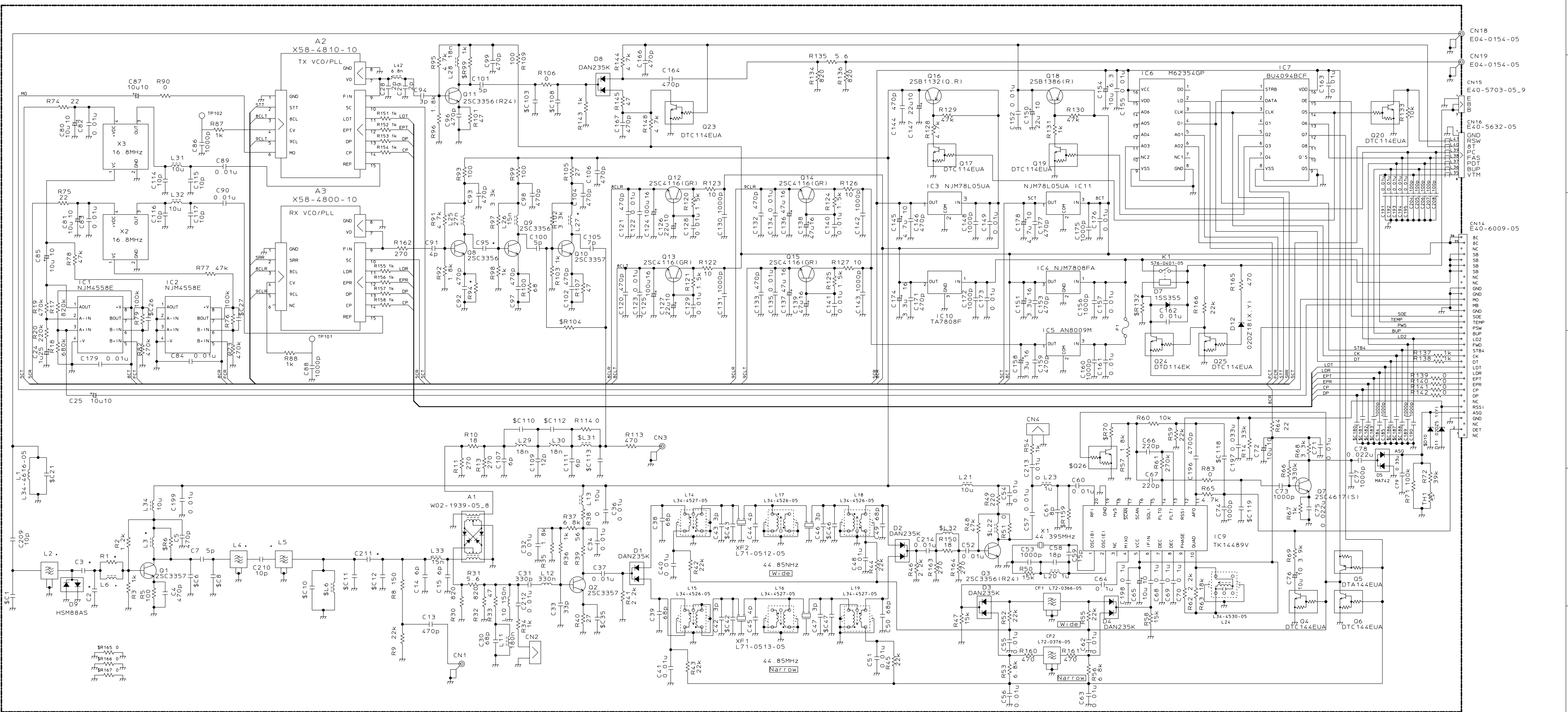


USE FOR	SYMBOL	REVISION NO	ISSUED	DATE
X57-627***	△ x			- -
	△ x			- -
	△ x			- -
	△ x			- -
	△ x			- -
	△ x			- -
	△ x			- -

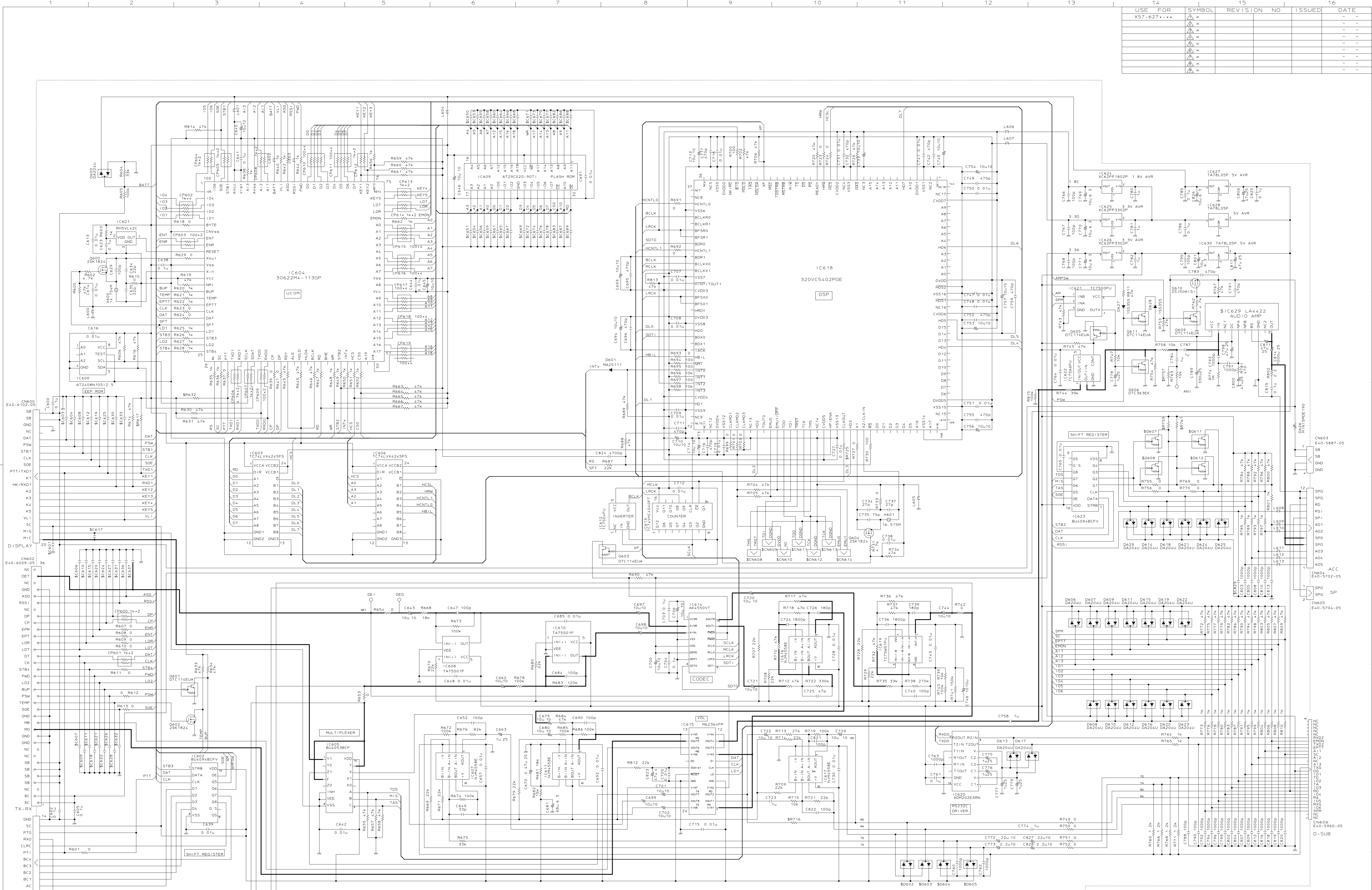


**DESTINATION PARTS LIST**

Ref. No	C2	C3	C95	C211	L2	L3	L4	L5	L6	L27	R1	R94
X57-6270-10	-	18p	4p	10p	L79-1771-05	18n	L79-1771-05	L79-1771-05	-	22n	0	100
X57-6270-11		4p	7p	6p	100p	L79-1772-05	L79-1772-05	L79-1772-05	10n	18n	-	82

DESIGNED	DRAWN	CHECKED	APPROVED	PART NAME	TKR-850 TXRX UNIT
29/SEP/2000	14/NOV/2000	15/NOV/2000	15/NOV/2000	ユニット西記線図	
Y.SAITO	Y.SAITOU	T.NAGATA	Y.CHIKADA	SCHEMATIC DIAGRAM	
				PART NUMBER	
株式会社ケンウッド KENWOOD CORPORATION				Z92-0799-02	1/1 00

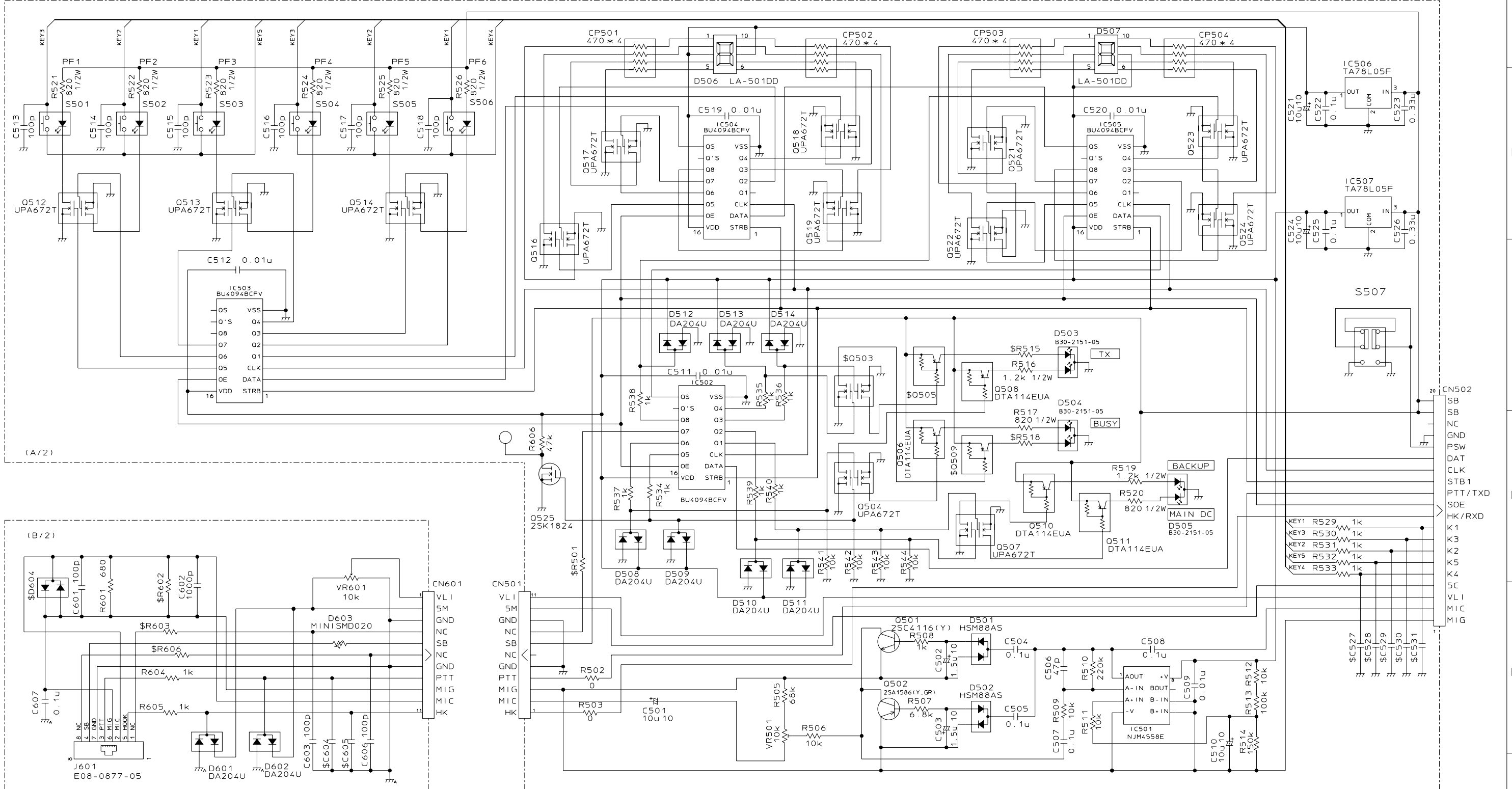
USE FOR	SYMBOL	REVISION NO	ISSUED	DATE
X57-627-...	X			
	X			
	X			
	X			
	X			
	X			
	X			
	X			
	X			
	X			



DESIGNED	DRAWN	CHECKED	APPROVED	PART NAME	TKR-850 CONTROL
29/SEP/2000	14/NOV/2000	15/NOV/2000	15/NOV/2000	ユニット 西巴製図	
A.KOBAYASHI	Y.SAITOU	T.NAGATA	Y.CHIKADA	SCHEMATIC DIAGRAM	
				PART NUMBER	Z92-0798-01 1/1 00

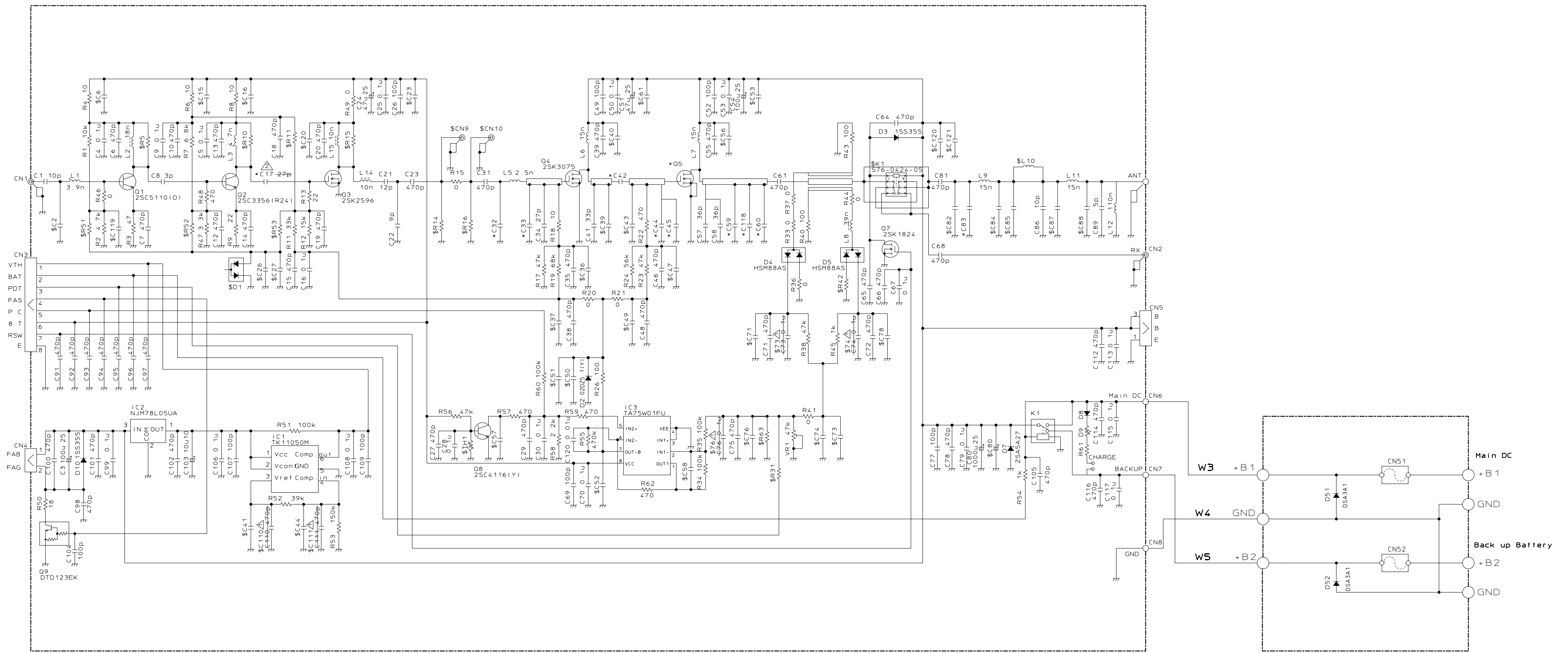
株式会社ケンウッド CORPORATION

USE FOR	SYMBOL	REVISION NO	ISSUED	DATE
X54-3330-20	△ x			- -
	△ x			- -
	△ x			- -
	△ x			- -
	△ x			- -



DESIGNED	DRAWN	CHECKED	APPROVED	PART NAME	TKR-750/850 Display Unit
29/SEP/2000	14/NOV/2000	15/NOV/2000	15/NOV/2000	ユニット配線図	
A.KOBAYASHI	Y.SAITOU	T.NAGATA	Y.CHIKADA	SCHEMATIC DIAGRAM	
				PART NUMBER	Z92-0795-03 1/1 00
株式会社ケンウッド KENWOOD CORPORATION					

USE FOR	SYMBOL	REVISION NO	ISSUED	DATE
X45-363***	△ x 5	40895	MATSUI	2000-11-24
	△ x 2	41158	A. Kobayashi	2000-12-14
	△ x			-
	△ x			-
	△ x			-
	△ x			-
	△ x			-
	△ x			-



**DESTINATION PARTS LIST**

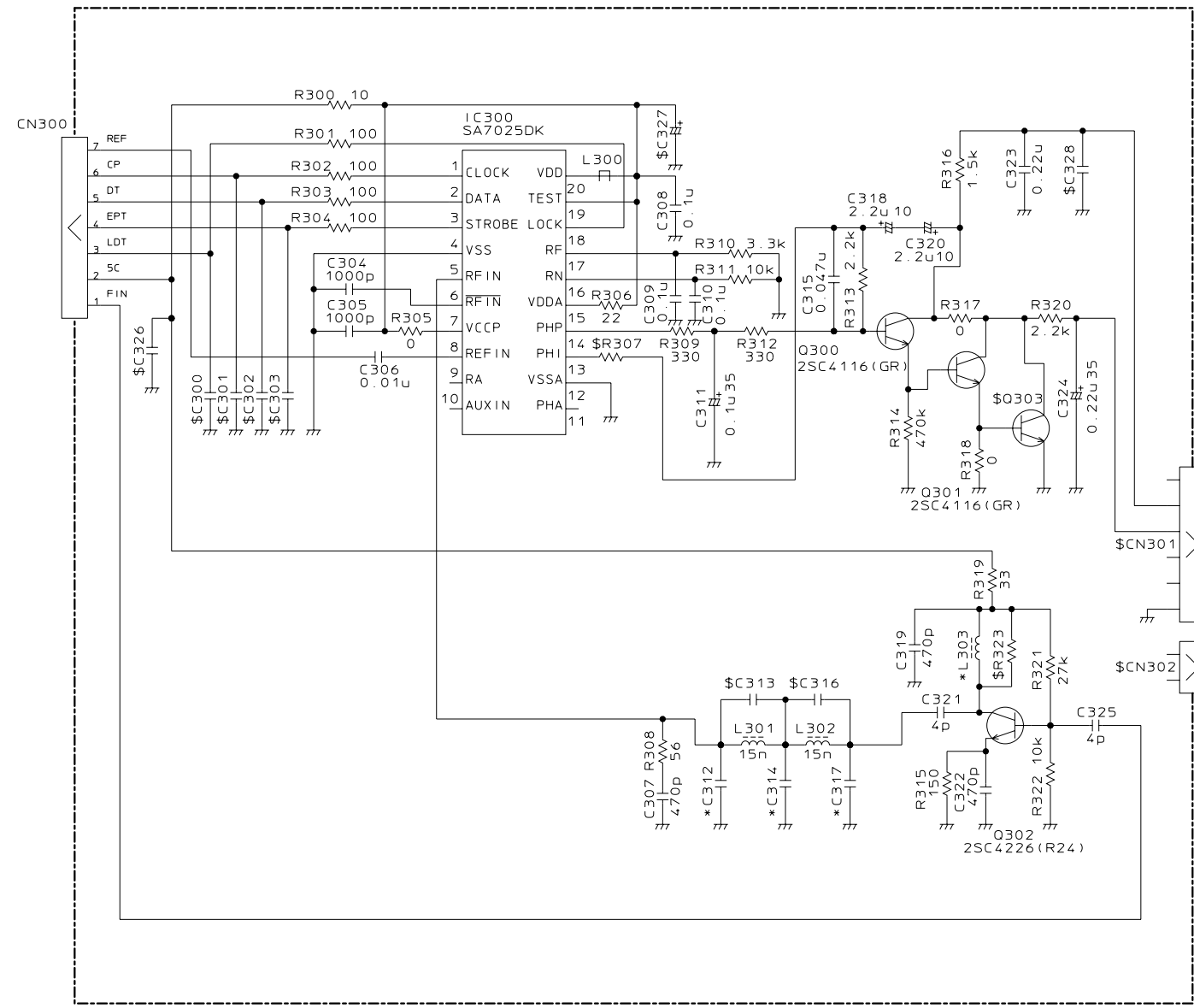
Ref. No	△C17	C32	C33	C42	C59	C60	C83	C118
X45-3630-10	39p	12p	27p	18p	22p	-	6p	7p
X45-3630-11	27p	8p	18p	15p	18p	5p	5p	-

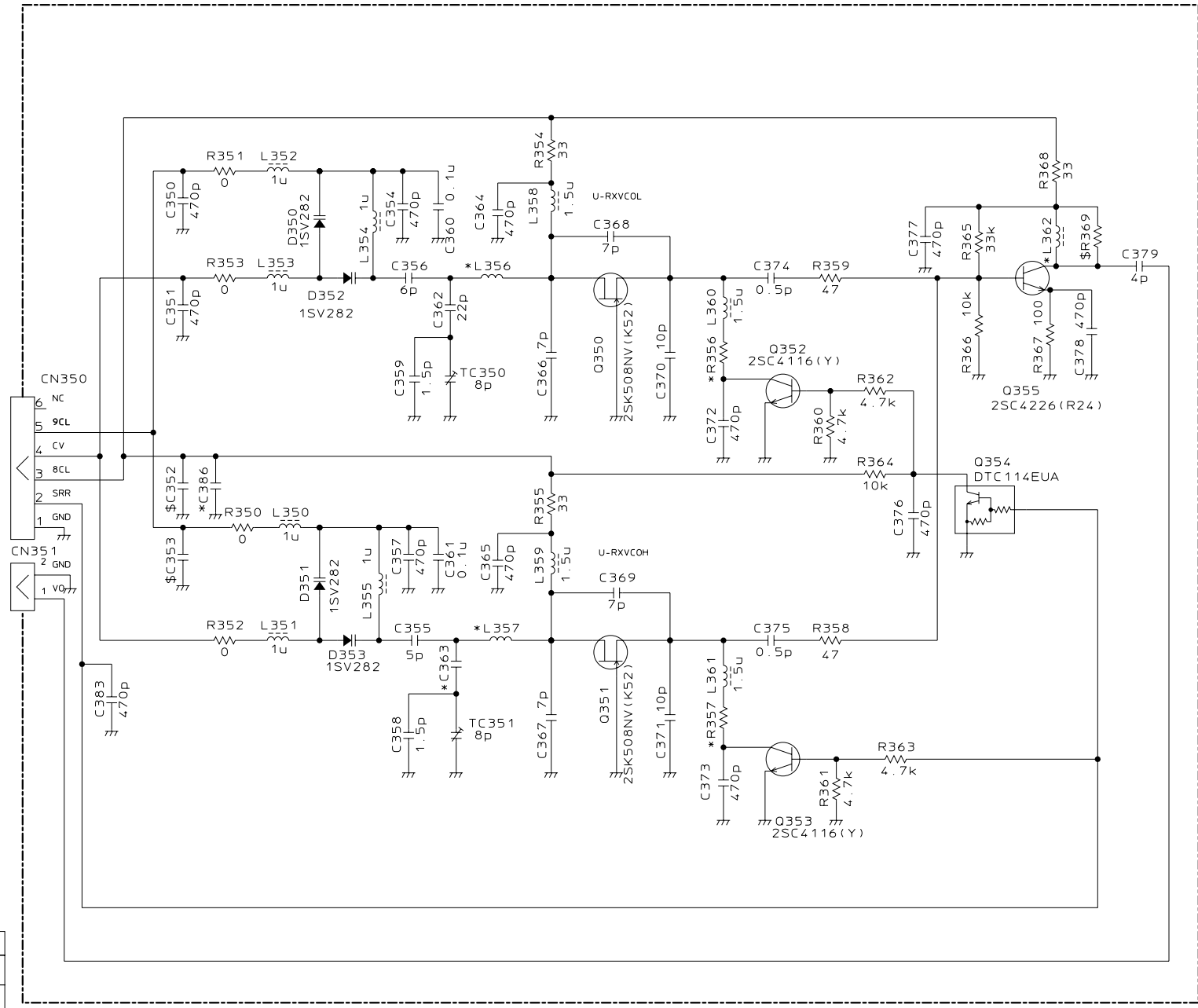
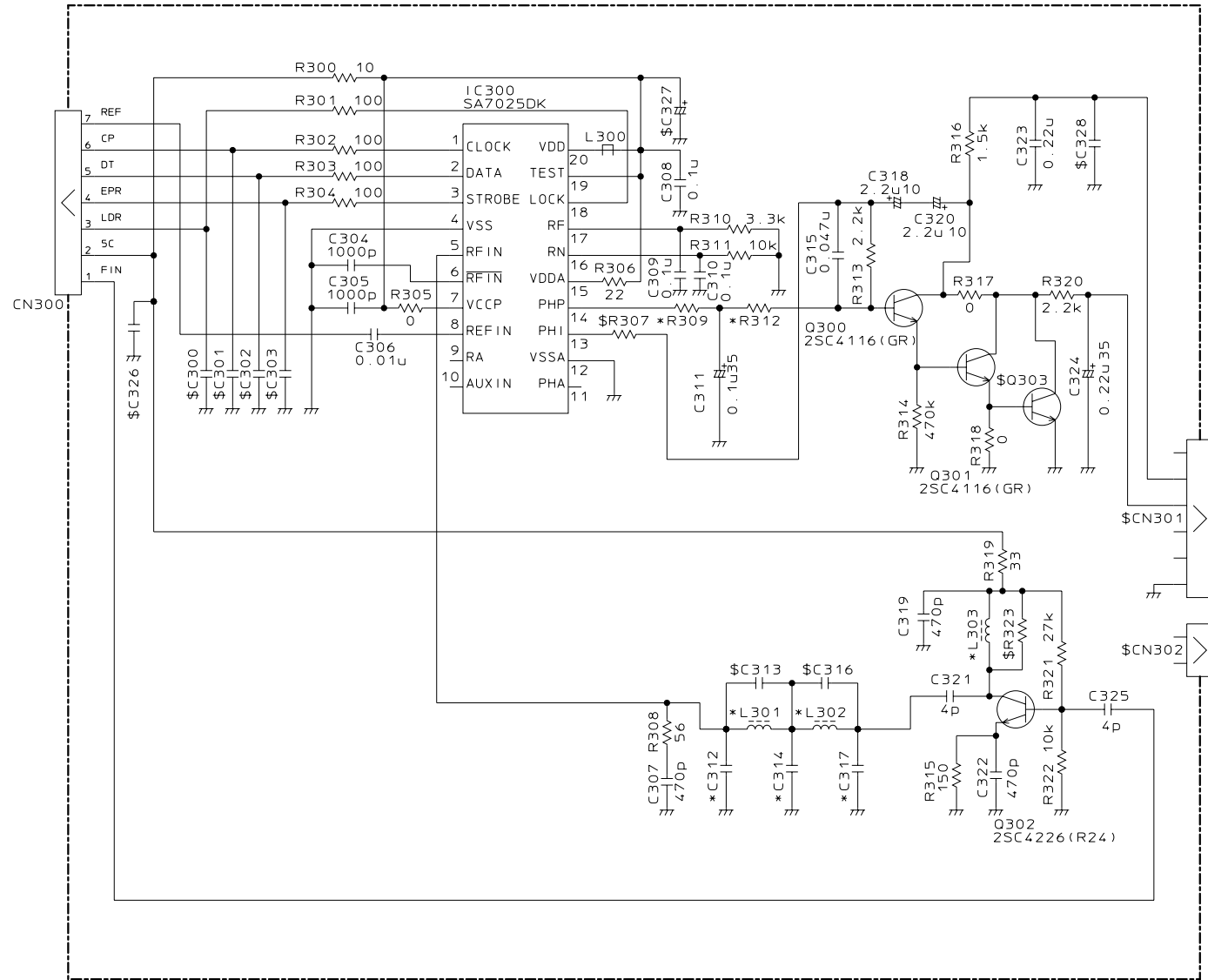
Ref. No	C44	C45	Q5
Y54-3190-10	36p	36p	2SK3478-22
Y54-3190-11	33p	33p	2SK3478-21

DESIGNED	DRAWN	CHECKED	APPROVED	PART NAME
29/SEP/2000	14/DEC/2000	14/DEC/2000	14/DEC/2000	TKR-850 UHF FINAL UNIT
A.AOKI	A.KOBAYASHI	M. INUI	Y. CHIKADA	ユニット西記線図 SCHEMATIC DIAGRAM
株式会社ケンウッド KENWOOD CORPORATION				PART NUMBER
				Z92-0794-02 1/1 02

USE FOR	SYMBOL	REVISION NO	ISSUED	DATE
X58-481*-**	△ x			- -
	△ x			- -
	△ x			- -
	△ x			- -
	△ x			- -



USE FOR	SYMBOL	REVISION NO	ISSUED	DATE
X58-480*-**	△ x			- -
	△ x			- -
	△ x			- -
	△ x			- -



DESTINATION PARTS LIST

Ref.No	C312	C314	C317	C363	C386		L301	L302	L303	L356	L357	L362
X58-4800-10	7p	12p	7p	15p	100p		18n	18n	22n	L34-4608-05	L34-4608-05	33n
X58-4800-11	6p	15p	6p	18p	22p		15n	15n	18n	L34-4607-05	L34-4607-05	27n

Ref.No	R309	R312	R356	R357
X58-4800-10	330	330	220	180
X58-4800-11	390	390	180	150

DESIGNED	DRAWN	CHECKED	APPROVED	PART NAME	TKR-850 RX VCO Unit
29/SEP/2000	14/NOV/2000	15/NOV/2000	15/NOV/2000	<b>ユニット配線図</b> <b>SCHEMATIC DIAGRAM</b>	
M.OIKAWA	Y.SAITOU	T.NAGATA	Y.CHIKADA		
株式会社ケンウッド KENWOOD CORPORATION				PART NUMBER	Z92-0790-03 1/1 00