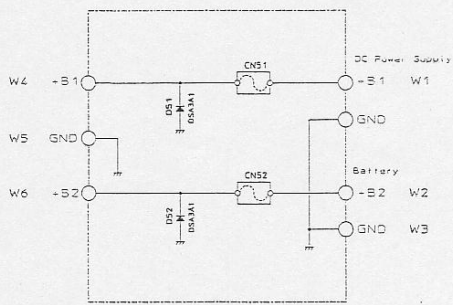
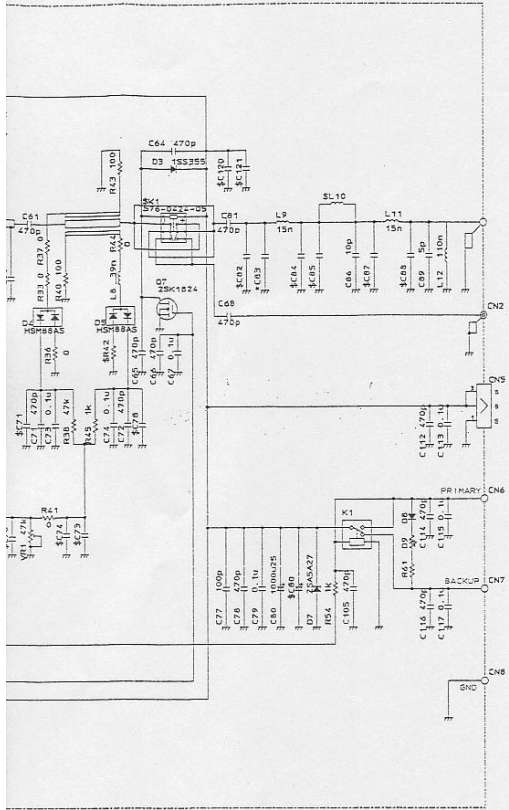


USE FOR	SYMBOL	REVISION NO	ISSUED	DATE
X45-363***	△	X		
	△	X		
	△	X		
	△	X		
	△	X		
	△	X		
	△	X		



DESIGNED 25/SPE/2000	DRAWN	CHECKED	APPROVED	PART NAME TKR-850 UHF FINAL UNIT ユニット配線図 SCHEMATIC DIAGRAM
60ESIG				PART NUMBER Z92-0794-02 1/1 00
株式会社ケンウッド KENWOOD CORPORATION				

FCC ID : ALH31113120  
 MODEL NAME : TKR-850K2  
 CIRCUIT SCHEMATIC:  
 FINAL Unit (Right)