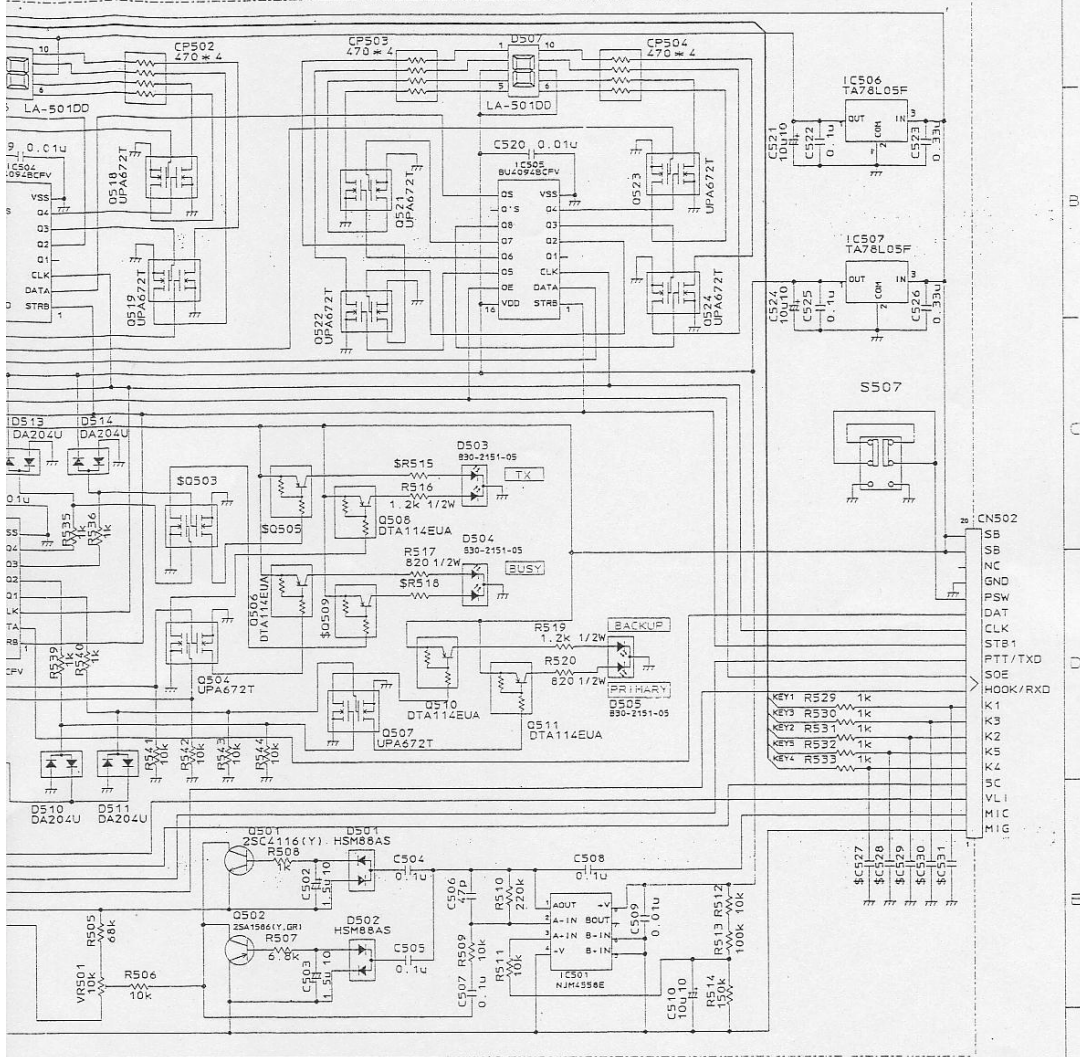


USE FOR	SYMBOL	REVISION NO	ISSUED	DATE
X54-3330-20	△ x			
	△ x			
	△ x			
	△ x			
	△ x			



DESIGNED 08/DEC/1999 A. KOBAYASHI	DRAWN	CHECKED	APPROVED	PART NAME TKR-850 Display Unit ユニット配線図 SCHEMATIC DIAGRAM
株式会社ケンウッド KENWOOD CORPORATION				PART NUMBER Z92-0795-03 1/1 00

00/09/27 15:11:24 x54333800.cir/001.sh1

FCC ID : ALH31113120  
 MODEL NAME : TKR-850K2  
 CIRCUIT SCHEMATIC:  
 DISPLAY Unit (Right)