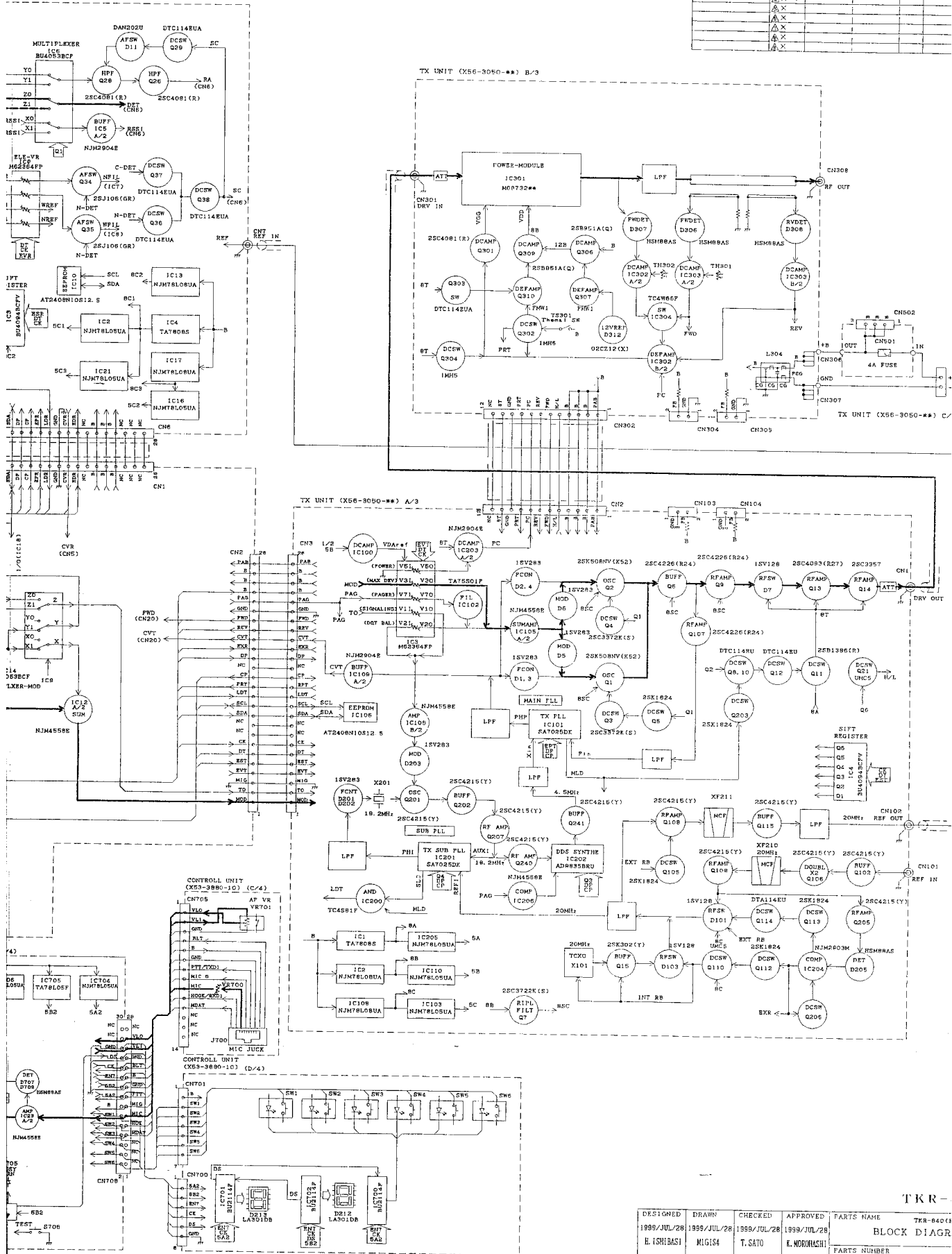


USE FOR	SYMBOL	REVISION NO	CODE	ISSUE
	△	X		
	△	X		
	△	X		
	△	X		
	△	X		
	△	X		
	△	X		
	△	X		
	△	X		
	△	X		



DESIGNED	DRAWN	CHECKED	APPROVED	FARTS NAME	TKR-84018
1999/JUL/28	1999/JUL/28	1999/JUL/28	1999/JUL/28	TKR-84018	
H. ISHIBASHI	MIGUSA	T. SATO	K. MORIMASHI	BLOCK DIAG	
				FARTS NUMBER	

株式会社ケンウッド KENWOOD CORPORATION

TKR-

