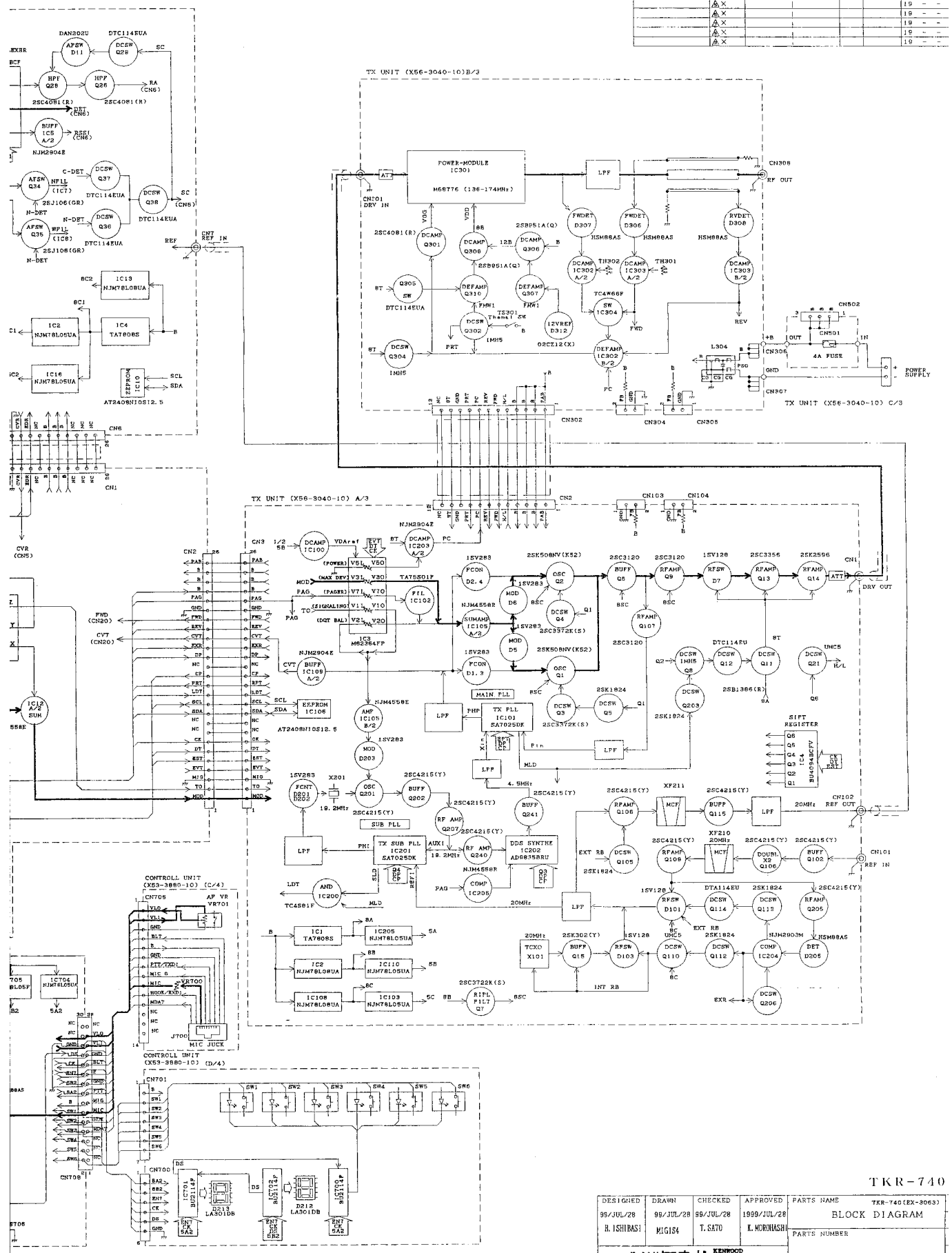


USE FOR	SYMBOL	REVISION NO	CODE	ISSUED	DATE
	△				19--
	△				19--
	△				19--
	△				19--
	△				19--
	△				19--
	△				19--
	△				19--
	△				19--
	△				19--



TKR-740

DESIGNED	DRAWN	CHECKED	APPROVED	PARTS NAME
98/JUL/28	98/JUL/28	98/JUL/28	1999/JUL/28	TKR-740 (EX-3063)
R. ISHIBASI	M. IGISA	T. SATO	K. MOROHASHI	BLOCK DIAGRAM
				PARTS NUMBER
KENWOOD CORPORATION				