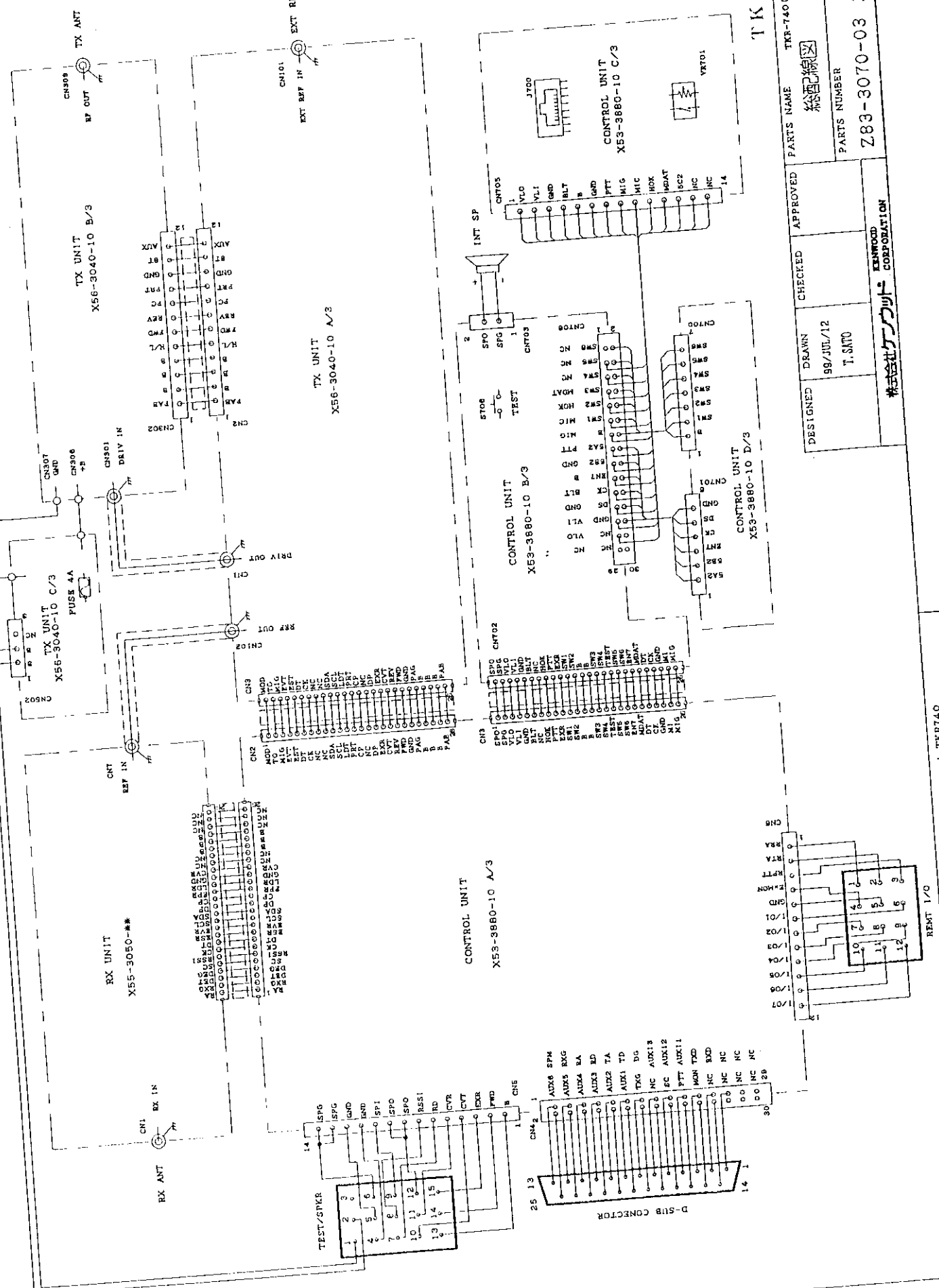


TKR-740

8	7	6	5	4	3	2
DATE	ISSUED	SYMBOL	REVISION NO	CODE	USE FOR	
19		△ X			Y64-3140-10	
19		△ X				
19		△ X				
19		△ X				



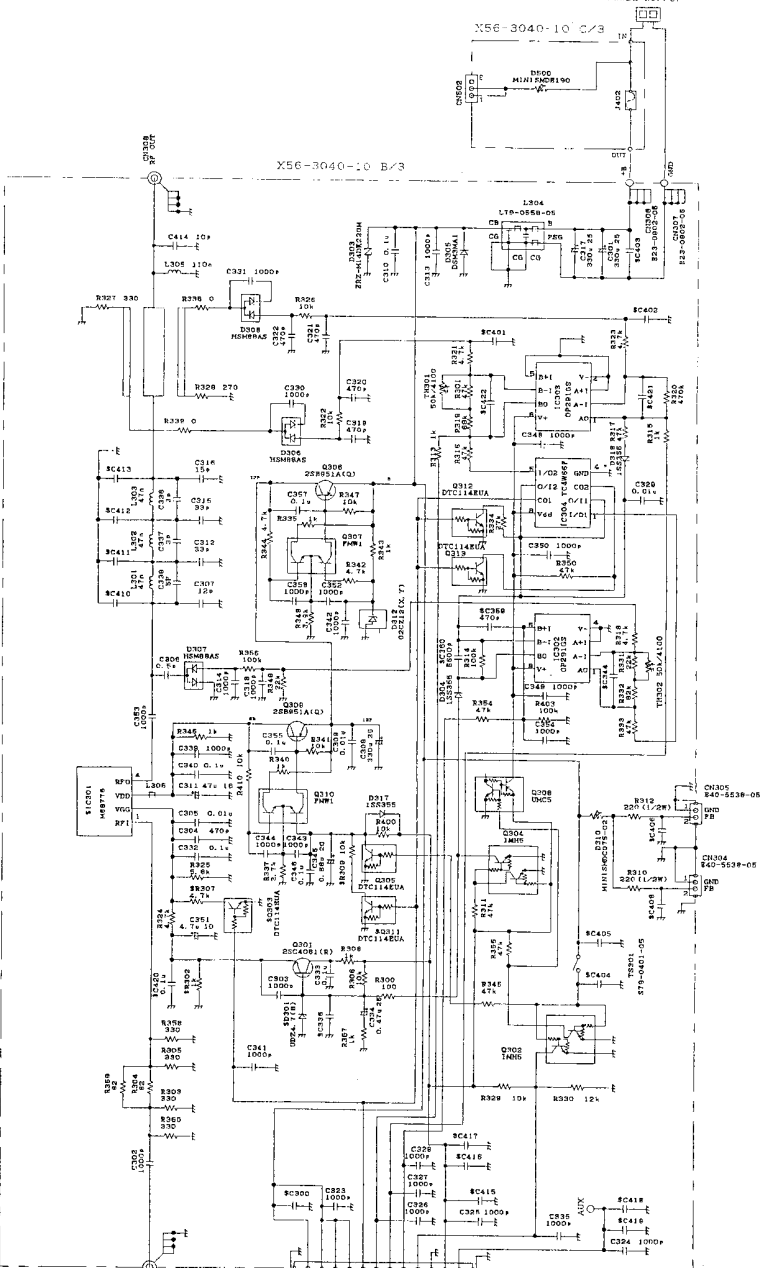
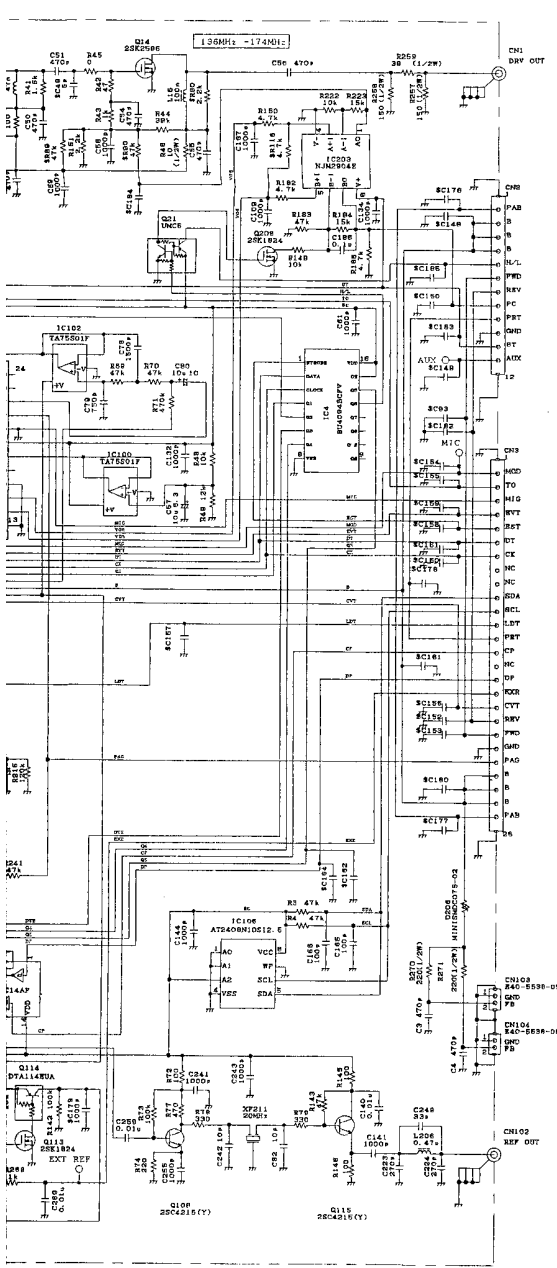
DESIGNED	DRAWN	CHECKED	APPROVED
	99/JUL/12 T.SATO		

PARTS NAME	PARTS NUMBER
松石線区	Z83-3070-03 1/1 00

株式会社ケンウッド
KENWOOD CORPORATION

USE FOR	SYMBOL	REVISION NO	CODE	ISSUED	DATE
X56-3040-10	△ X				18
	△ X				18
	△ X				18
	△ X				18
	△ X				18
	△ X				18
	△ X				18
	△ X				18
	△ X				18
	△ X				18

- Q307, Q310
- Q31, Q302, Q304
- Q31, Q110, Q308
- IC202
- IC106
- IC4
- IC3
- IC301
- IC103, IC110, IC203
- IC2, IC109
- IC204
- IC109, IC203
- IC105, IC111
- IC305, IC303
- IC101, IC201
- IC100, IC108
- IC1
- IC200
- IC204
- IC205

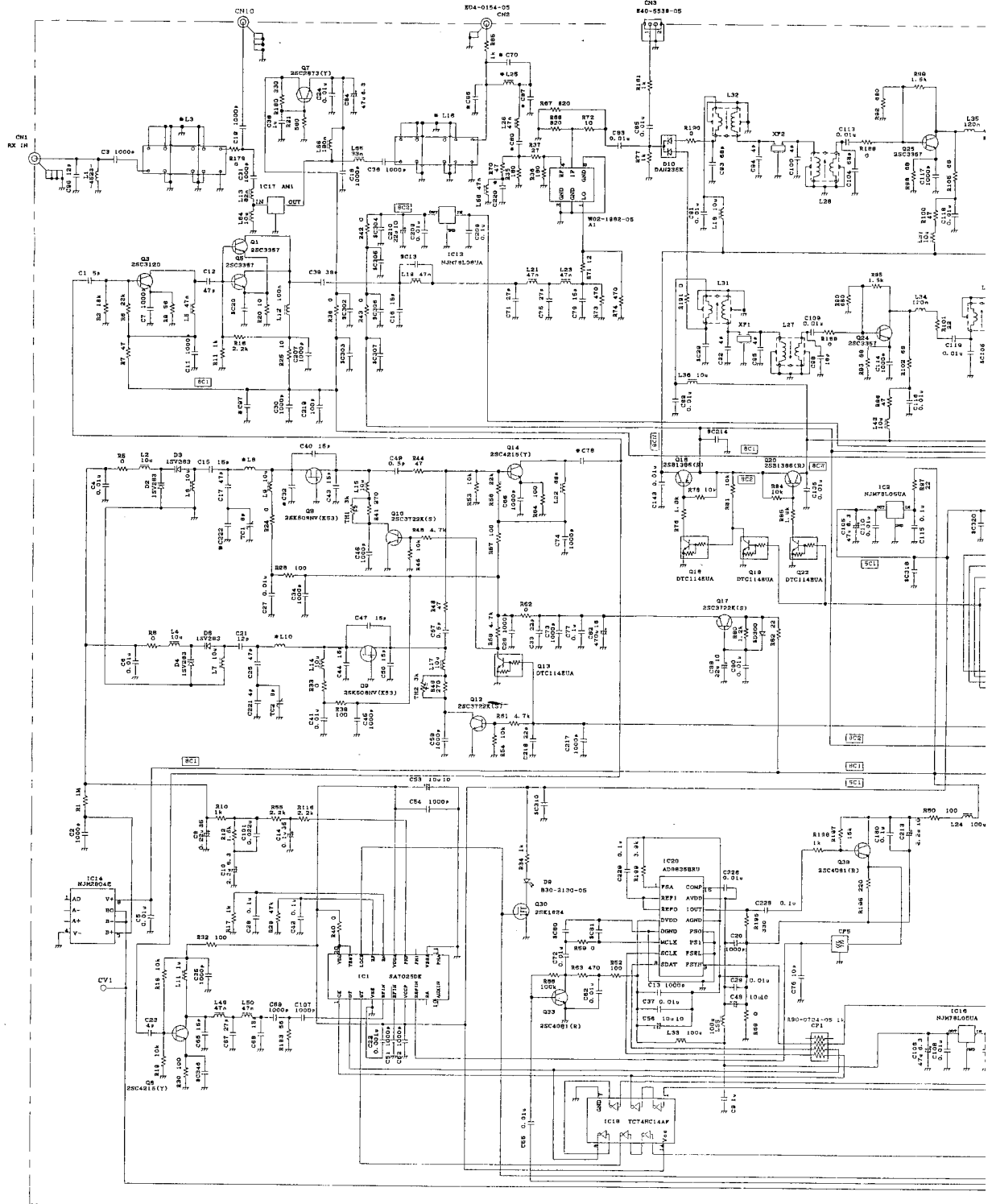


Destination	
8000	8004
8001	8005
8002	8006
8003	8007

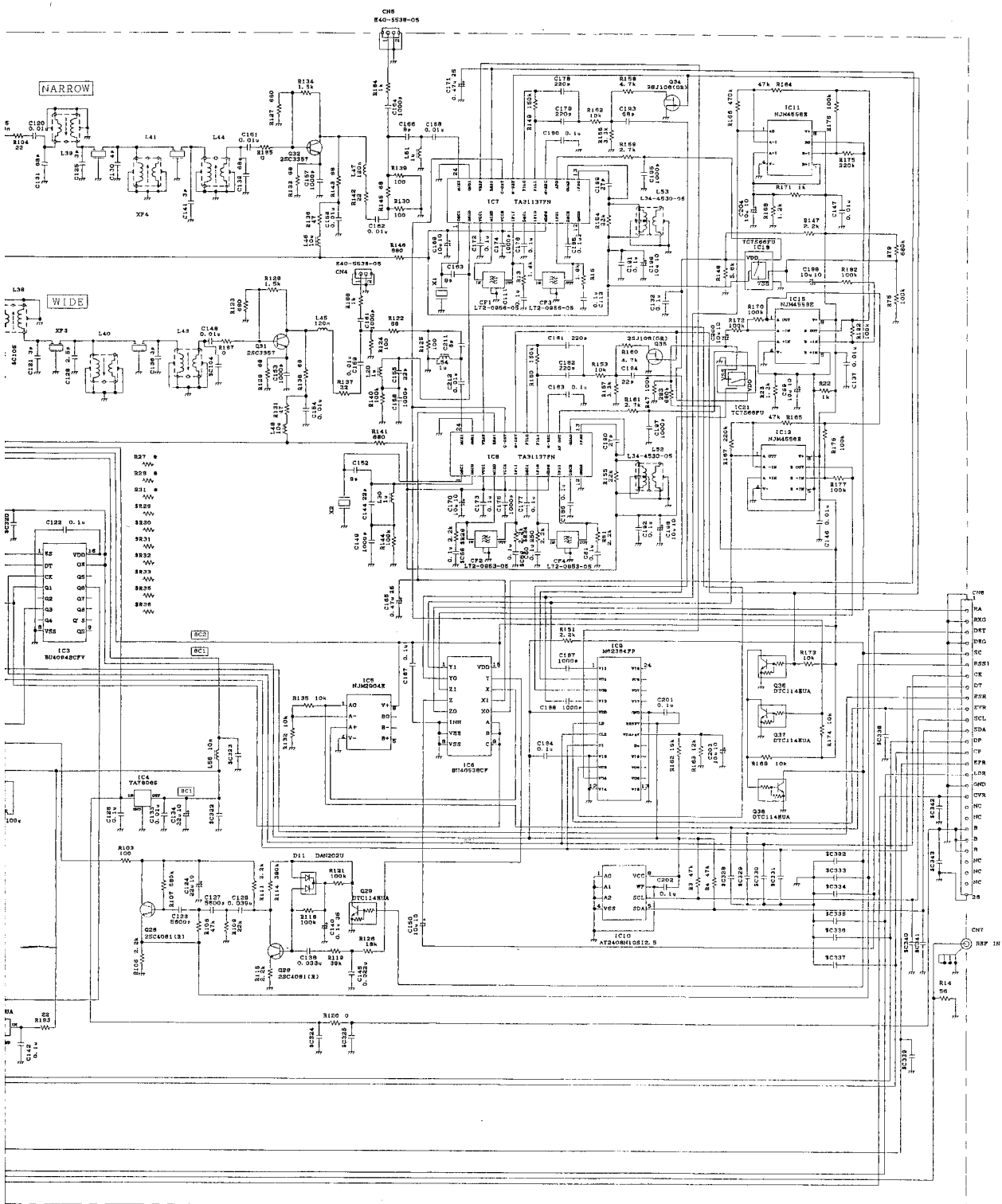
TKR-740

DESIGNED	DRAWN	CHECKED	APPROVED	PARTS NAME
28/JUN/1999	28/JUN/1999			ユニット配線図 SCHEMATIC DIAGRAM
T. SATO	T. SATO			PARTS NUMBER
株式会社ケンウッド KENWOOD CORPORATION				Z92-0696-01 1/1 00

0-12	-	0	18*	6*	12*	27*	13*	15*	22*	27*	2*	-1730-	-4594-	-4596-	-1735-	32*
0-11	-	0	15*	1000*	3*	18*	-	-	14*	4*	-	-1733-	-4598-	-4598-	-1724-	-
0-10	0	-	15*	1000*	10*	32*	-	-	32*	4*	-	-1737-	-4580-	-4586-	-1394-	-
	R27	R29	R31	C23	C70	C28	C90	C96	C97	C97	C220	Z222	L3	L8	L10	L25



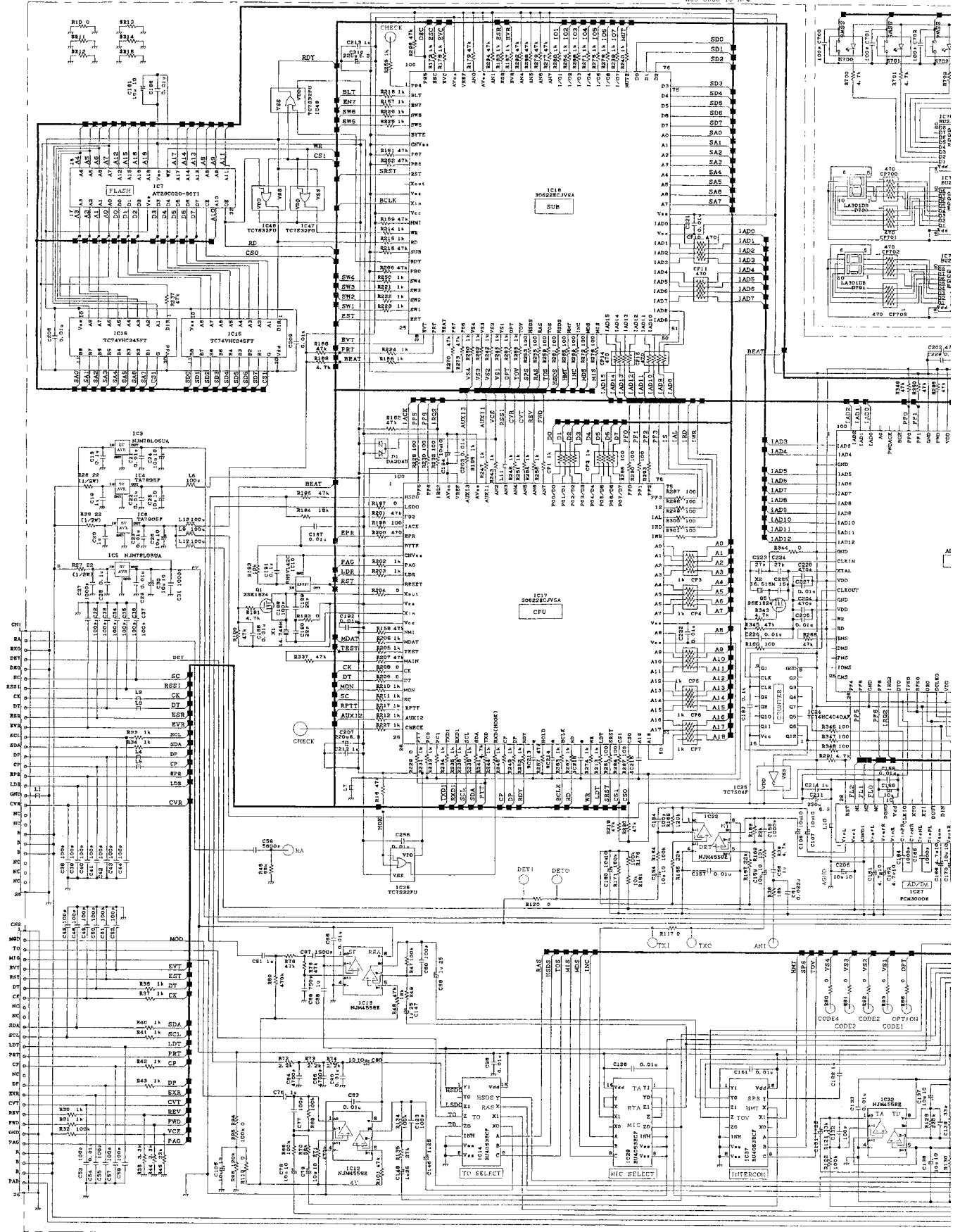
USE FOR	SYMBOL	REVISION NO	CODE	ISSUED	DATE
X55-2050-10	△ X				19 -
X55-2050-11	△ X				19 -
X55-2050-12	△ X				19 -
	△ X				19 -
	△ X				19 -
	△ X				19 -
	△ X				19 -



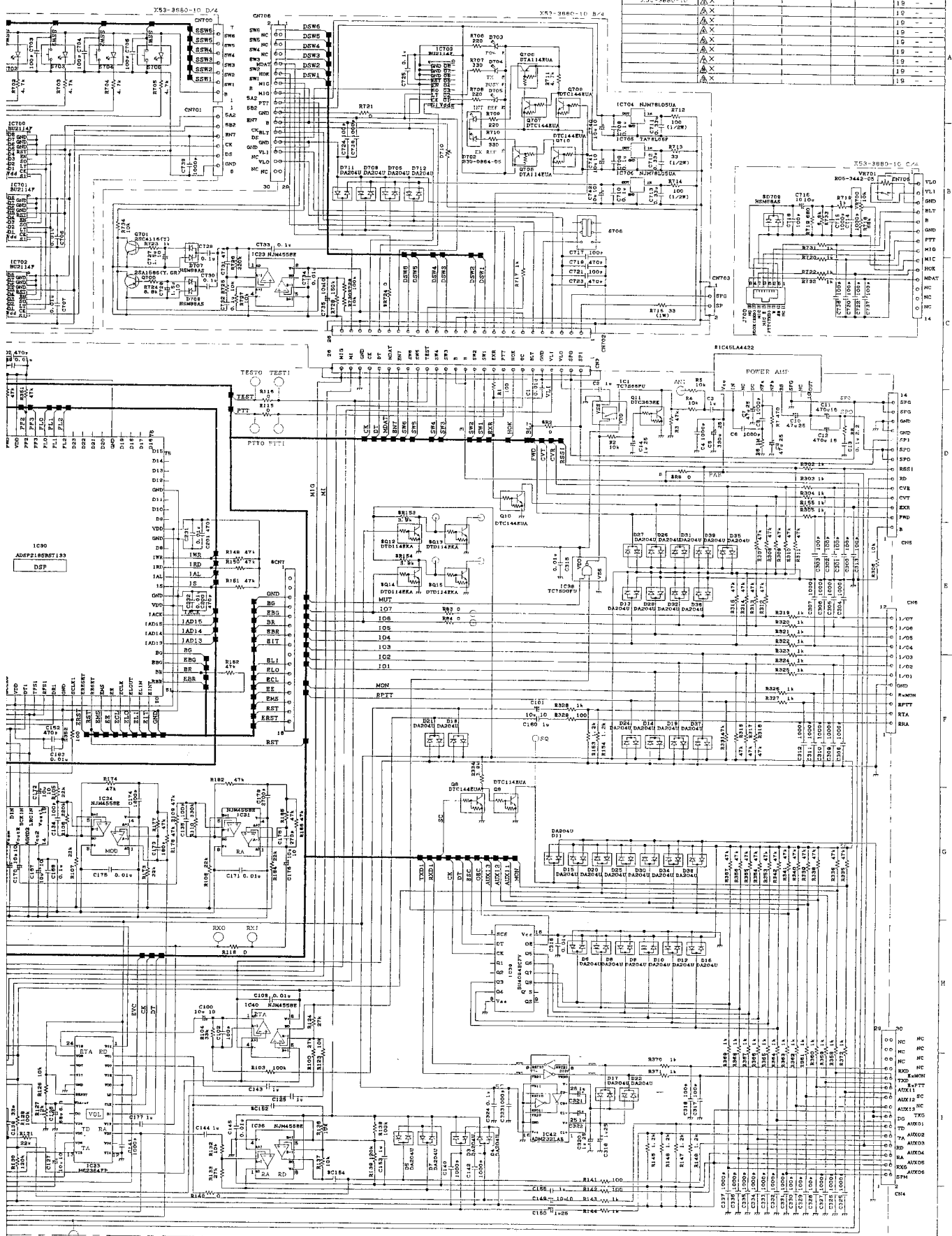
TKR-740

DESIGNED	DRAWN	CHECKED	APPROVED	PARTS NAME
13/JUL/1989	13/JUL/1989			TR-740 RX UNIT
K. MIYAKOSHI	K. MIYAKOSHI			フニット配線図
				SCHEMATIC DIAGRAM
				PARTS NUMBER
				Z92-0693-01 1/1 00

株式会社ケンウッド
KENWOOD CORPORATION



USE FOR	SYMBOL	REVISION NO	CODE	ISSUED	DATE
X53-2860-10	Δ				18
X53-2860-10	Δ				18
X53-2860-10	Δ				18
X53-2860-10	Δ				18
X53-2860-10	Δ				18
X53-2860-10	Δ				18
X53-2860-10	Δ				18
X53-2860-10	Δ				18
X53-2860-10	Δ				18
X53-2860-10	Δ				18



T KR-740

DESIGNED	DRAWN	CHECKED	APPROVED	PARTS NAME (FX-3063 CONTROL UNIT)
11/JAN/1995	2/JULY/1999			ユニット制御部
Y. SAITOU	Y. SAITOU			SCHEMATIC DIAGRAM
				PARTS NUMBER
				Z92-0695-01 1/1 00

株式会社ケンウッド KENWOOD CORPORATION