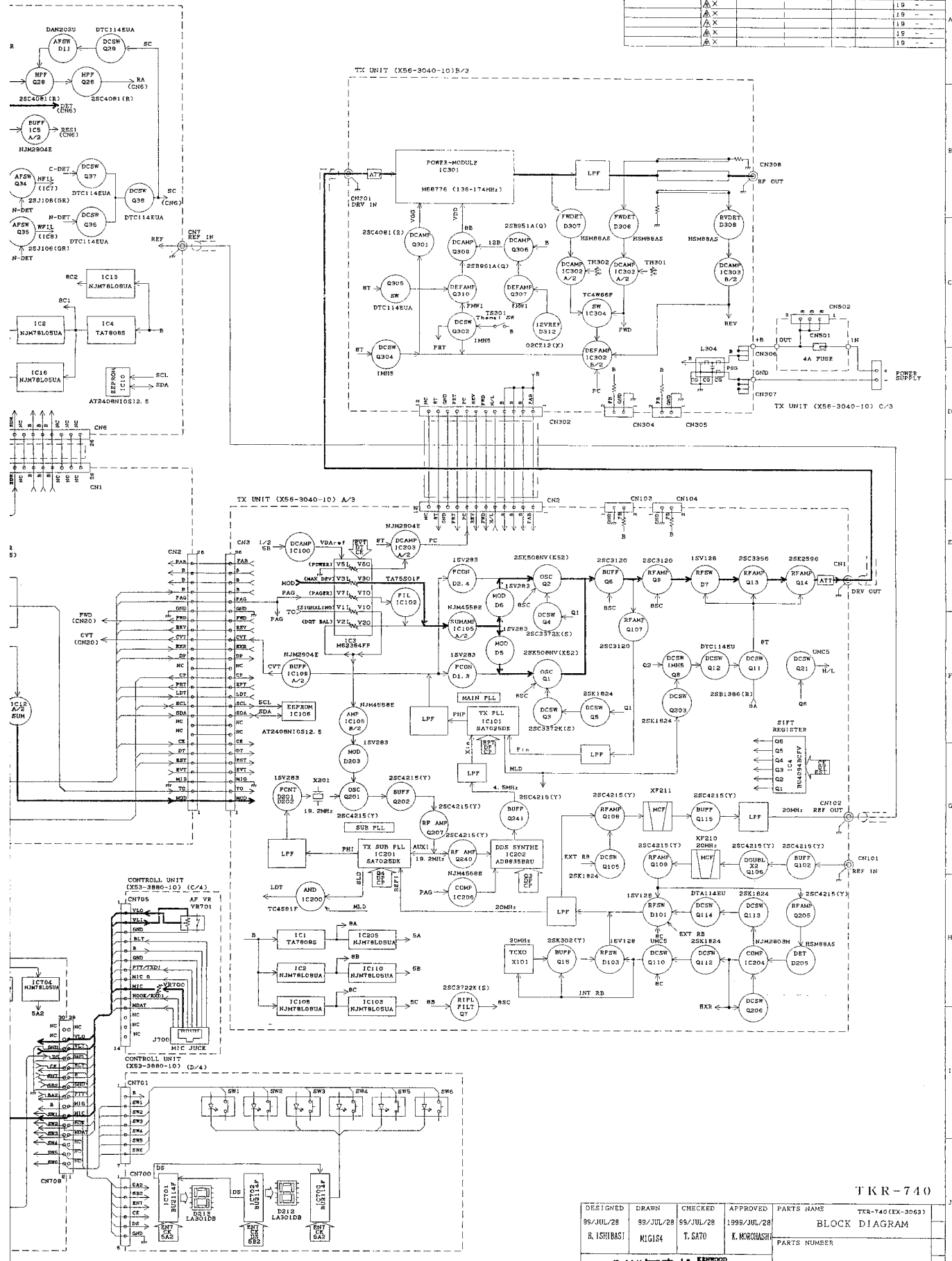


REV. NO.	SYMBOL	REVISION NO.	ICCODE	ISSUED	DATE
1	△				19--
2	△				19--
3	△				19--
4	△				19--
5	△				19--
6	△				19--
7	△				19--
8	△				19--
9	△				19--
10	△				19--



TKR-740

DESIGNED	DRAWN	CHECKED	APPROVED	PARTS NAME
98/JUL/28	98/JUL/28	99/JUL/28	1998/JUL/28	TKR-740(EX-3063)
R. ISHIBASHI	M.IGUSA	T. SATO	K. MOROHASHI	BLOCK DIAGRAM
				PARTS NUMBER

株式会社ケンウッド KENWOOD CORPORATION