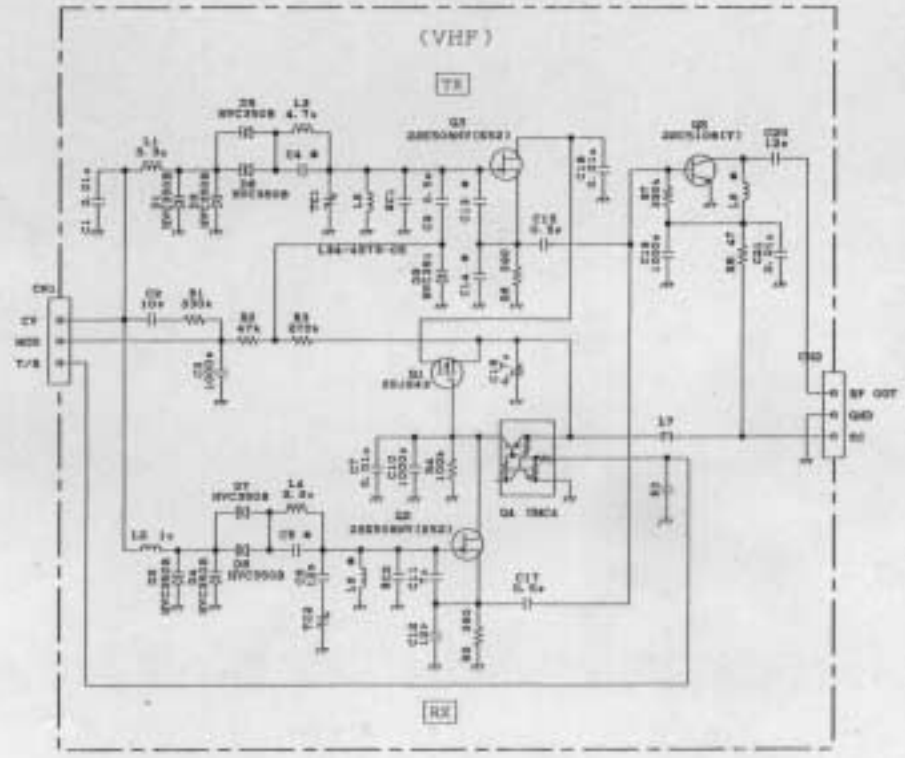


1	2	3	4
USE FOR	SYMBOL	REVISION NO	CODE ISSUED DATE
XSB-473	△ X		- -
	△ X		- -
	△ X		- -
	△ X		- -

TK-285 SCHEMATIC 1



SW-88

Ver.	CR	CS	C13	C14	L4	L6
D-10	E	30+	30+	3+	10+	L34-0573-09
D-21	H	10+	47+	3+	10+	L34-0574-05

REV.	LAST No.	LIST No.
C	C21	C2
H	D9	-
L	L8	-
S	Q5	-
X	SR	-

DESIGNED	DRAWN	CHECKED	APPROVED	PARTS NAME
25/SEP/1999	03/FEB/2000			フコット配線図 SCHEMATIC DIAGRAM
T. KANOKORATA	T. KOBAYASHI			PARTS NUMBER
株式会社ケンウッド KENWOOD CORPORATION				792-0771-04 1/1 00

CIRCUIT SCHEMATIC(VCO)
MODEL NAME:TK-285K
FCC ID:ALH29492110