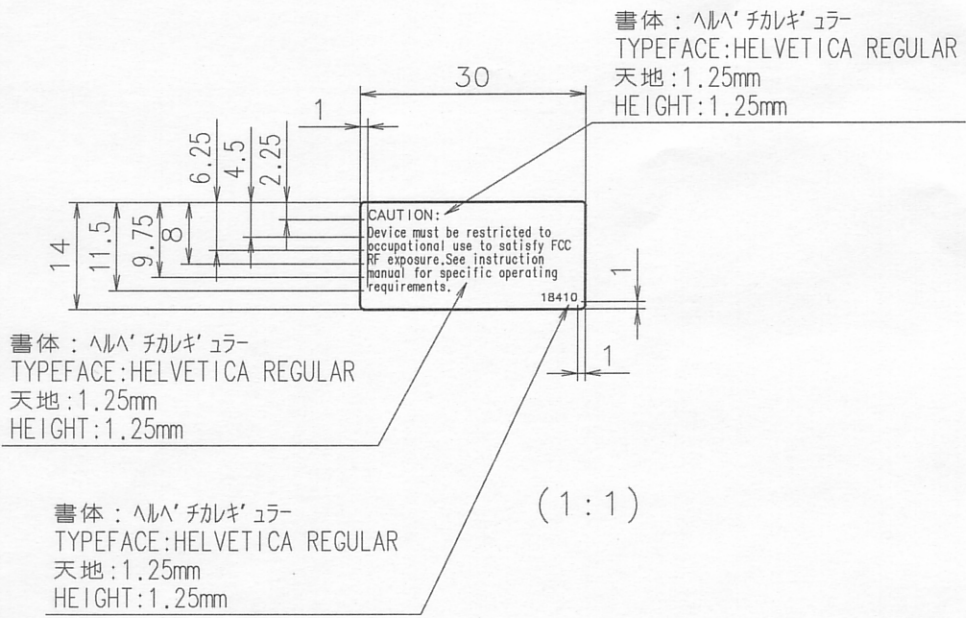


更行様

無線機標本



CAUTION:  
Device must be restricted to occupational use to satisfy FCC RF exposure. See instruction manual for specific operating requirements.

18410

(2:1)

1:1	DESIGN	DATE 2000-12-19	MODEL	注意銘板 Warming Label B41-1841-04
	S.HASHIMOTO	KENWOOD		