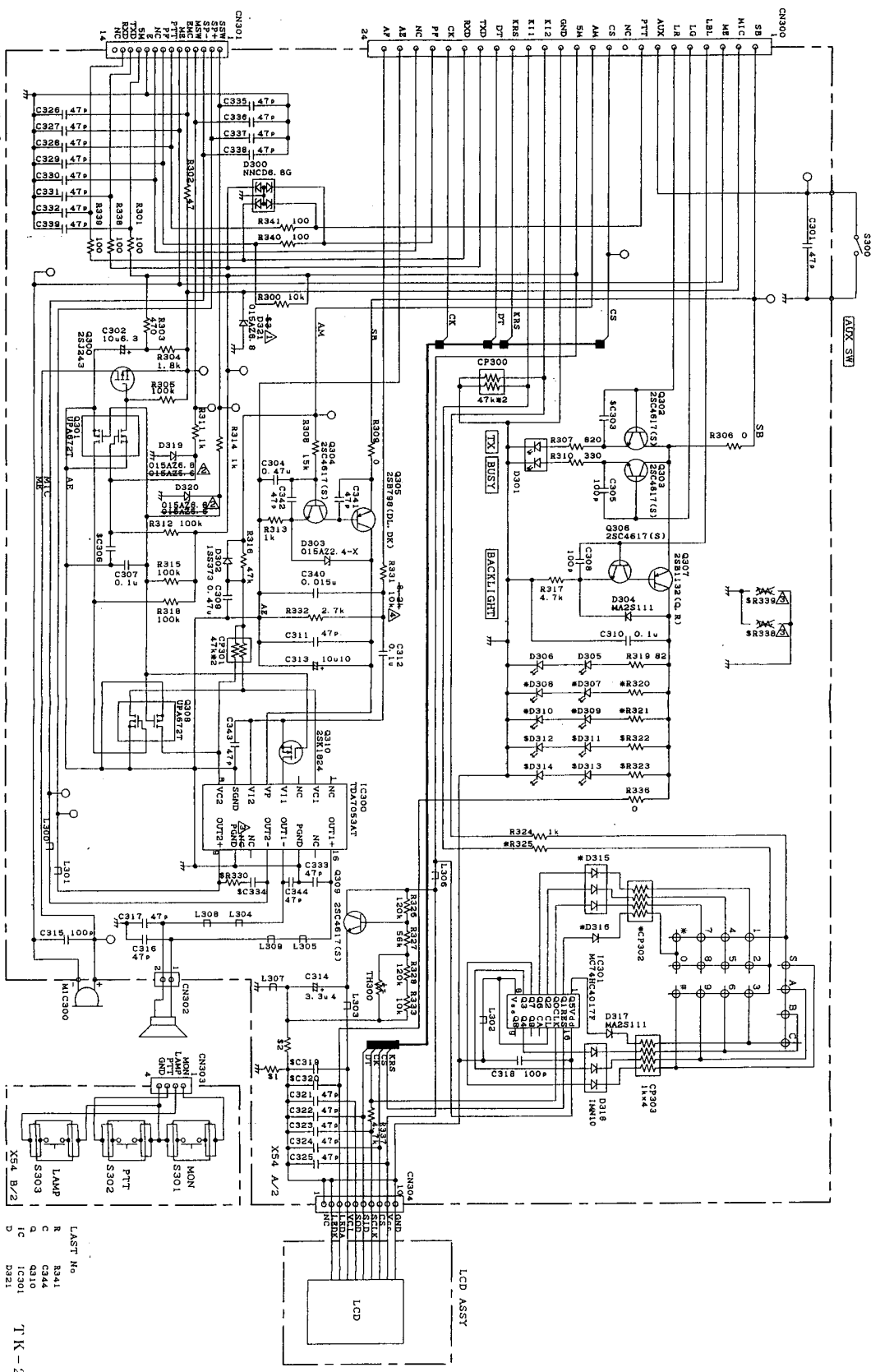


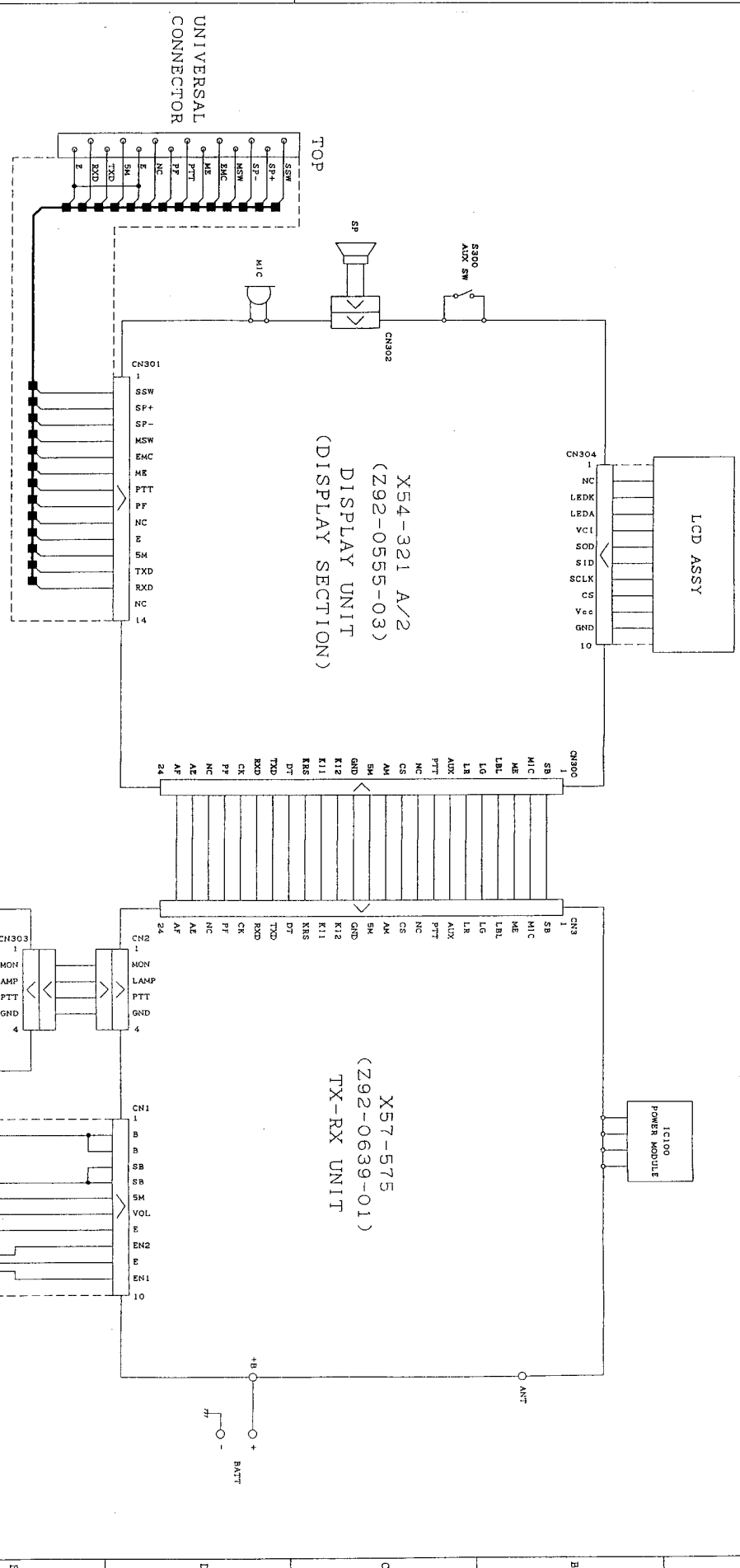
AX 6	25827	MATSUI 1997-08-04
AX 1	25826	MATSUI 1997-11-10
AX	19	



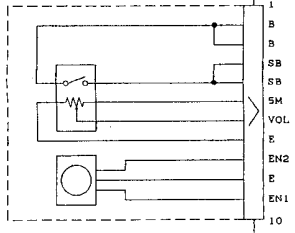
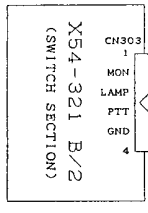
用部	品番	数量	規格	備考
IC	IC300	1	74VHC04	
IC	IC301	1	74VHC04	
IC	IC302	1	74VHC04	
IC	IC303	1	74VHC04	
IC	IC304	1	74VHC04	
IC	IC305	1	74VHC04	
IC	IC306	1	74VHC04	
IC	IC307	1	74VHC04	
IC	IC308	1	74VHC04	
IC	IC309	1	74VHC04	
IC	IC310	1	74VHC04	
IC	IC311	1	74VHC04	
IC	IC312	1	74VHC04	
IC	IC313	1	74VHC04	
IC	IC314	1	74VHC04	
IC	IC315	1	74VHC04	
IC	IC316	1	74VHC04	
IC	IC317	1	74VHC04	
IC	IC318	1	74VHC04	
IC	IC319	1	74VHC04	
IC	IC320	1	74VHC04	
IC	IC321	1	74VHC04	
IC	IC322	1	74VHC04	
IC	IC323	1	74VHC04	
IC	IC324	1	74VHC04	
IC	IC325	1	74VHC04	
IC	IC326	1	74VHC04	
IC	IC327	1	74VHC04	
IC	IC328	1	74VHC04	
IC	IC329	1	74VHC04	
IC	IC330	1	74VHC04	
IC	IC331	1	74VHC04	
IC	IC332	1	74VHC04	
IC	IC333	1	74VHC04	
IC	IC334	1	74VHC04	
IC	IC335	1	74VHC04	
IC	IC336	1	74VHC04	
IC	IC337	1	74VHC04	
IC	IC338	1	74VHC04	
IC	IC339	1	74VHC04	
IC	IC340	1	74VHC04	
IC	IC341	1	74VHC04	
IC	IC342	1	74VHC04	
IC	IC343	1	74VHC04	
IC	IC344	1	74VHC04	
IC	IC345	1	74VHC04	
IC	IC346	1	74VHC04	
IC	IC347	1	74VHC04	
IC	IC348	1	74VHC04	
IC	IC349	1	74VHC04	
IC	IC350	1	74VHC04	
IC	IC351	1	74VHC04	
IC	IC352	1	74VHC04	
IC	IC353	1	74VHC04	
IC	IC354	1	74VHC04	
IC	IC355	1	74VHC04	
IC	IC356	1	74VHC04	
IC	IC357	1	74VHC04	
IC	IC358	1	74VHC04	
IC	IC359	1	74VHC04	
IC	IC360	1	74VHC04	
IC	IC361	1	74VHC04	
IC	IC362	1	74VHC04	
IC	IC363	1	74VHC04	
IC	IC364	1	74VHC04	
IC	IC365	1	74VHC04	
IC	IC366	1	74VHC04	
IC	IC367	1	74VHC04	
IC	IC368	1	74VHC04	
IC	IC369	1	74VHC04	
IC	IC370	1	74VHC04	
IC	IC371	1	74VHC04	
IC	IC372	1	74VHC04	
IC	IC373	1	74VHC04	
IC	IC374	1	74VHC04	
IC	IC375	1	74VHC04	
IC	IC376	1	74VHC04	
IC	IC377	1	74VHC04	
IC	IC378	1	74VHC04	
IC	IC379	1	74VHC04	
IC	IC380	1	74VHC04	
IC	IC381	1	74VHC04	
IC	IC382	1	74VHC04	
IC	IC383	1	74VHC04	
IC	IC384	1	74VHC04	
IC	IC385	1	74VHC04	
IC	IC386	1	74VHC04	
IC	IC387	1	74VHC04	
IC	IC388	1	74VHC04	
IC	IC389	1	74VHC04	
IC	IC390	1	74VHC04	
IC	IC391	1	74VHC04	
IC	IC392	1	74VHC04	
IC	IC393	1	74VHC04	
IC	IC394	1	74VHC04	
IC	IC395	1	74VHC04	
IC	IC396	1	74VHC04	
IC	IC397	1	74VHC04	
IC	IC398	1	74VHC04	
IC	IC399	1	74VHC04	
IC	IC400	1	74VHC04	

DESIGNED	15/MAY/1997	DRAWN	10/NOV/1997	CHECKED	10/NOV/1997	APPROVED	10/NOV/1997	PARTS NAME	EX-2296/2289 DISPLAY
	A. KOBAYASHI		Y. MATSUI		M. TANIGUCHI		K. HIRAKI	SCHEMATIC DIAGRAM	
株式会社ソニーエレクトロニクス								PARTS NUMBER	Z92-0555-03 1/1 04
KAWASUMI CORPORATION									
DISP. UNIT									
TK-280/TK-380									
LAST No.									
R								B341	
C								C344	
D								D310	
IC								IC301	
D								D321	

Y50-4880-**	△X	19	-	-
	△X	19	-	-
	△X	19	-	-
	△X	19	-	-
	△X	19	-	-

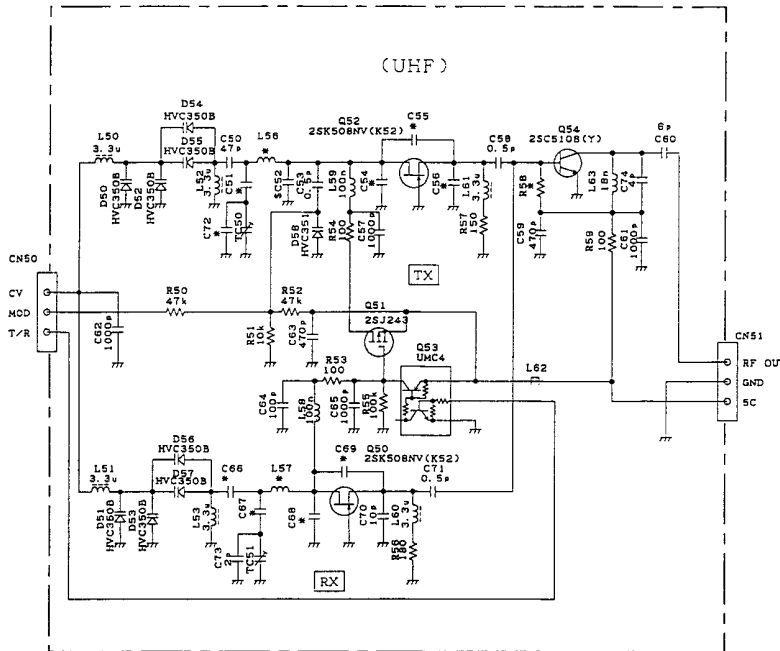


MODEL NAME	UNIT NO.	IC100
Y50-4880-10 TR-380(K)	X54-3210-10	
Y50-4880-13 TR-380(K4)	X54-3210-11	M68732HA
Y50-4880-21 TR-380(LM)	X54-3210-10	



DESIGNED	30/OCT/1998	DRAWN	30/OCT/1998	CHECKED		APPROVED		PARTS NAME	EX-2462
	M. TSUTSUMI		Y. MATUI					INTERCONNECT DIAGRAM	
株式会社ケンウッド KENWOOD CORPORATION								PARTS NUMBER	総務課
								PARTS NUMBER	283-3068-03 1/1 00
									S

USE FOR	SYMBOL	REVISION NO	CODE	ISSUED	DATE
X58-459	△ X				19 - -
	△ X				19 - -
	△ X				19 - -
	△ X				19 - -
	△ X				19 - -



仕向け一覧表

	C51	C54	C55	C56	C66	C67	C68	C69	C72	L56	L57	R58
O-10(X)	4p	3p	4p	6p	4p	4p	3p	7p	1p	L34-4573-05	L34-4574-05	220k
O-11(X1)	6p	3p	6p	7p	39p	6p	3p	10p	2p	L34-4572-05	L34-4573-05	220k
O-12(K2)	6p	6p	5p	6p	47p	4p	5p	9p	2p	L34-4573-05	L34-4574-05	470k

REF.	LAST No.	LAST No.
C	C74	C52
D	D59	-
L	L63	L54-55
Q	Q54	-
R	R59	-

TK-380 VCO UNIT

DESIGNED	DRAWN	CHECKED	APPROVED	PARTS NAME
25/SEP/1998				EX-2462 VCO UNIT
T. KAKIZAKI				ユニット配線図
				SCHEMATIC DIAGRAM
				PARTS NUMBER
				Z92-0672-04 1/1 00
株式会社ケンウッド KENWOOD CORPORATION				S