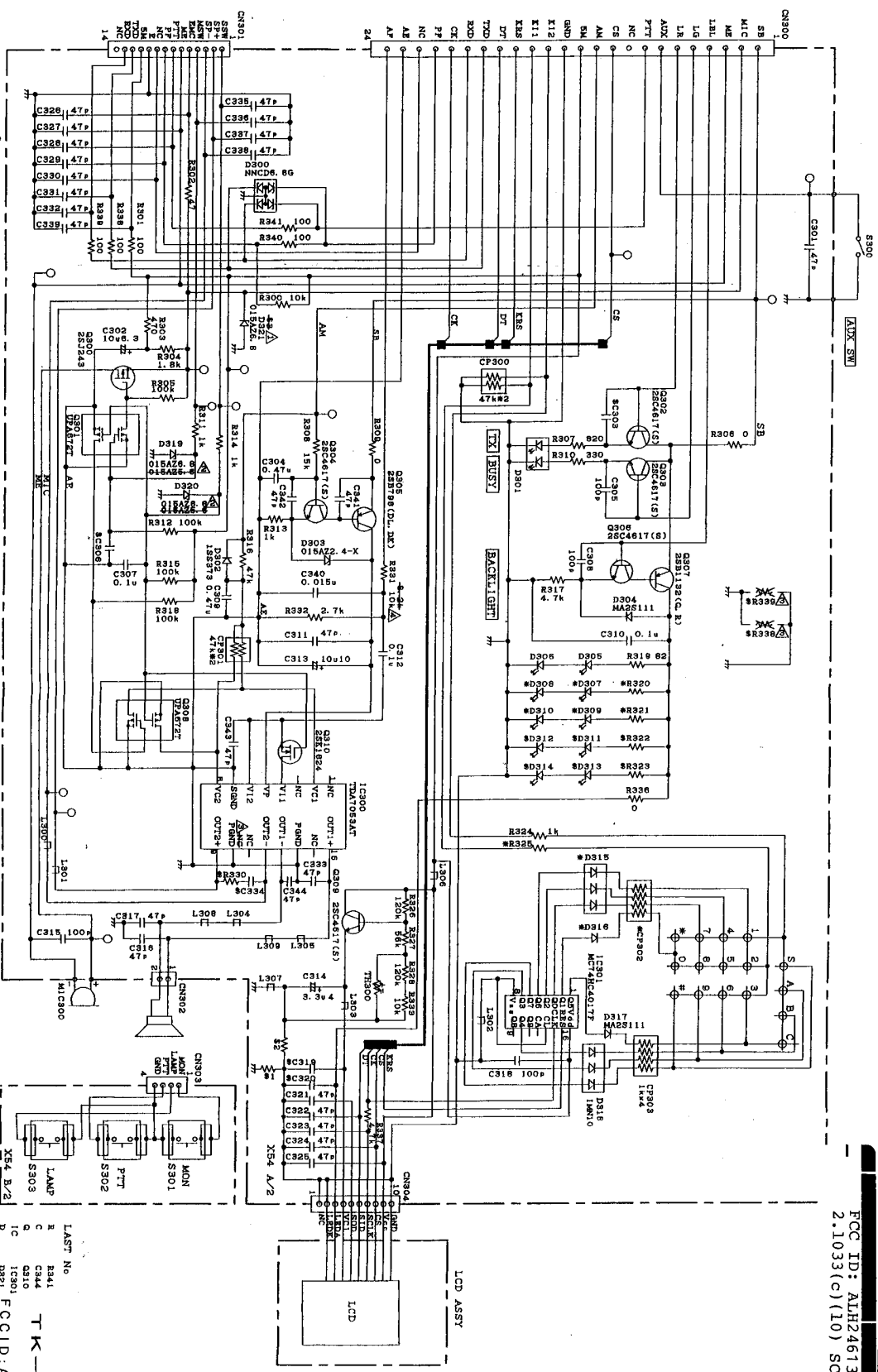


|              |       |       |                   |
|--------------|-------|-------|-------------------|
| X54-3210-10A | A X 2 | 24007 | MATSUI 1997-07-15 |
| A X 5        | A X 5 | 25827 | MATSUI 1997-08-04 |
| A X 1        | A X 1 | 25828 | MATSUI 1997-11-10 |
| A X          | A X   | 19    |                   |

FCC ID: ALH24613120  
2.1033(c)(10) SCHEMATICS



| USE FOR      | RES       | RES  | RES         | RES    |         |                  |
|--------------|-----------|------|-------------|--------|---------|------------------|
| X54-3100-10  | R300-R321 | R325 | D307-D310   | D315   | D316    | C7302            |
| X54-3210-10A | -         | -    | -           | -      | -       | -                |
| X54-3210-11A | 82        | 1k   | R30-2171-05 | 1MNT10 | M42S111 | R90-0724-05(1Mk) |

|                                 |              |       |             |         |              |          |             |            |                      |
|---------------------------------|--------------|-------|-------------|---------|--------------|----------|-------------|------------|----------------------|
| DESIGNED                        | 15/MAY/1997  | DRAWN | 10/NOV/1997 | CHECKED | 10/NOV/1997  | APPROVED | 10/NOV/1997 | PARTS NAME | EX-2286/2299 DISPLAY |
|                                 | A. KOBAYASHI |       | Y. MATSU    |         | M. TANIGUCHI |          | K. HIKICHI  |            | SCHEMATIC DIAGRAM    |
| KAWASUMI ELECTRONIC CORPORATION |              |       |             |         |              |          |             |            |                      |
| Z92-0555-03 1/1 04              |              |       |             |         |              |          |             |            |                      |
| P                               |              |       |             |         |              |          |             |            |                      |
| S                               |              |       |             |         |              |          |             |            |                      |

LAST No  
R341  
R344  
C344  
C310  
IC301  
D321  
FCC ID: ALH24613120

TK-280K2

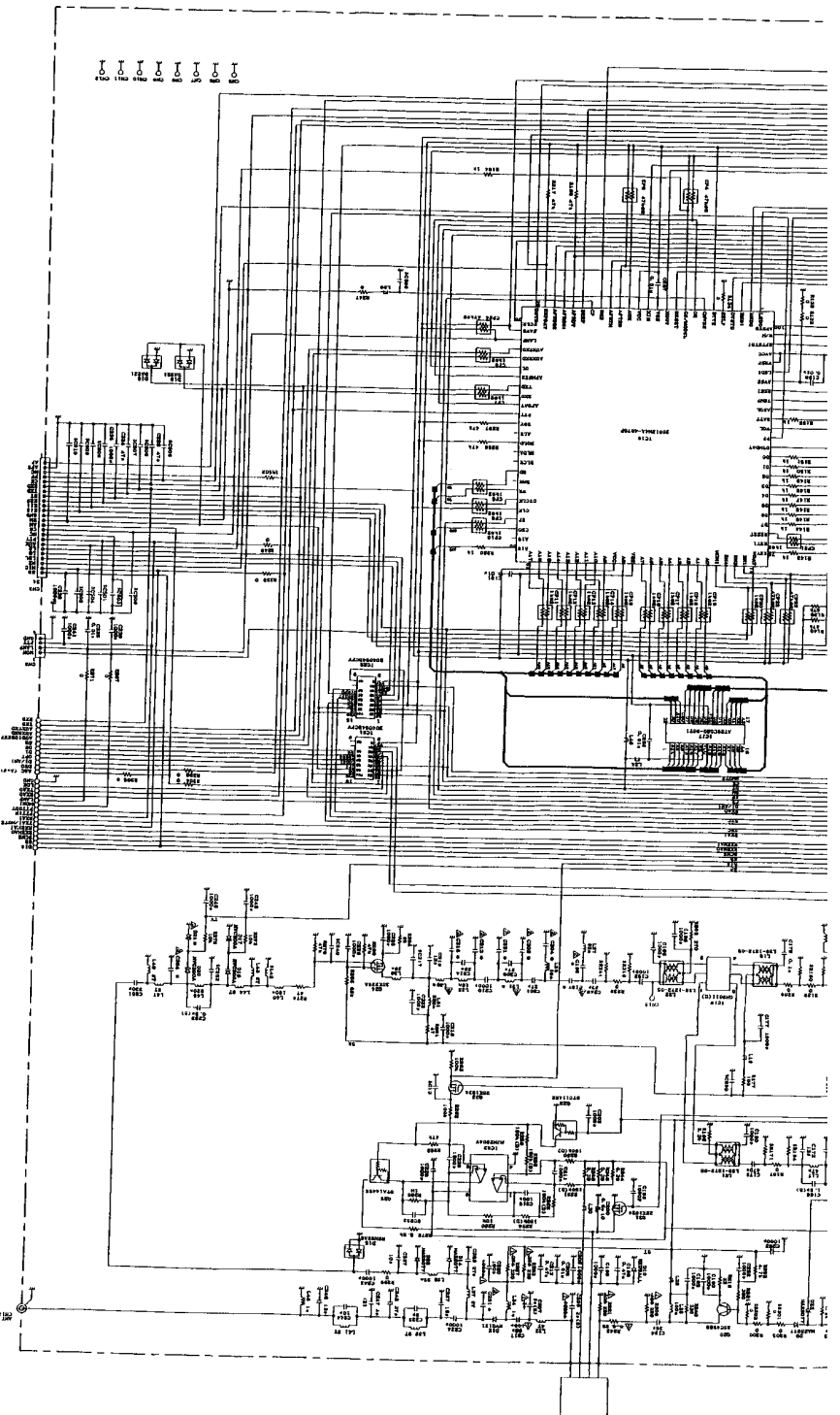




FCC ID: ALH24613120

# TK-280K2

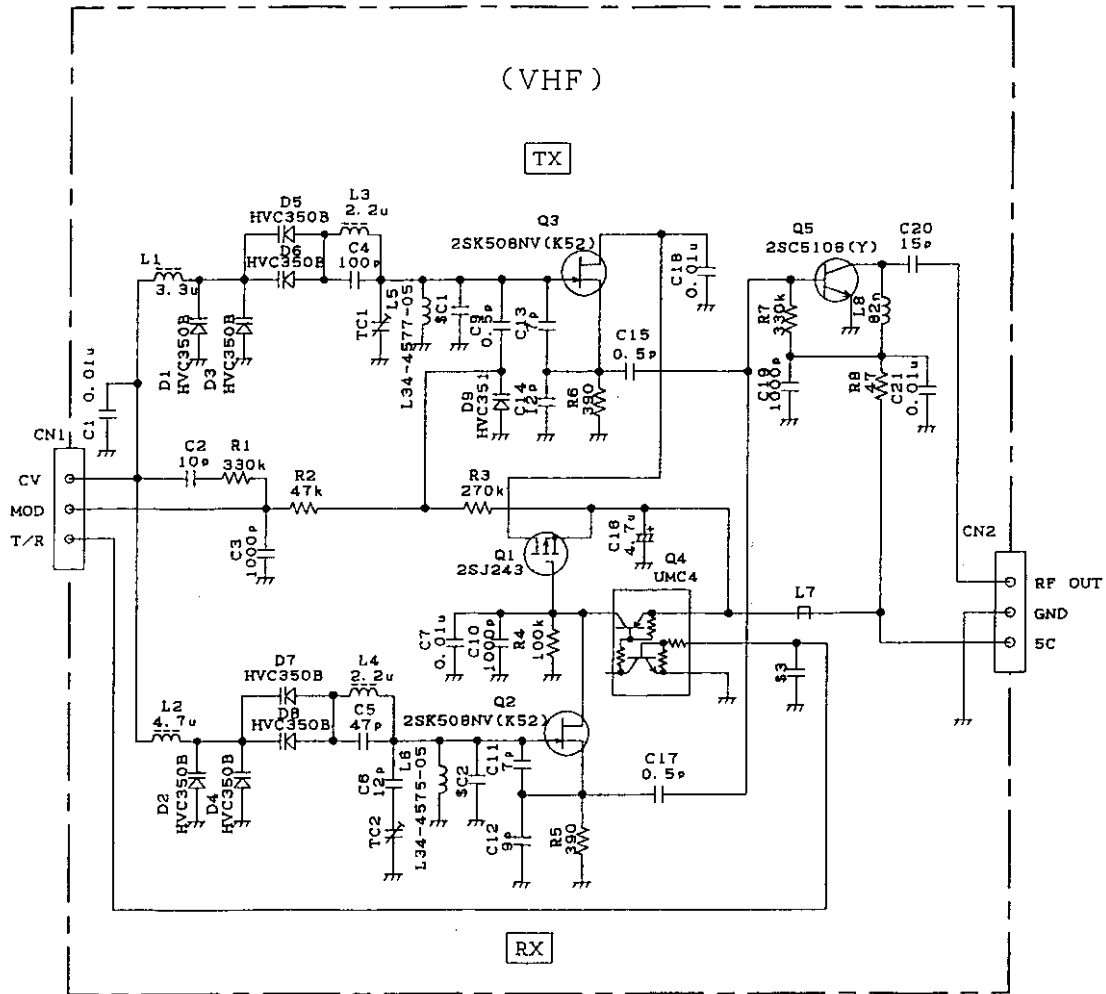
SELF PORT "L" SELF PROGRAMIN. DISABLE  
 SELF PORT "H" SELF PROGRAMIN. ENABLE



1  
2  
3  
4  
5  
6  
7  
8  
9  
10  
11  
12  
13  
14  
15  
16  
17  
18  
19  
20  
21  
22  
23  
24  
25  
26  
27  
28  
29  
30  
31  
32  
33  
34  
35  
36  
37  
38  
39  
40  
41  
42  
43  
44  
45  
46  
47  
48  
49  
50  
51  
52  
53  
54  
55  
56  
57  
58  
59  
60  
61  
62  
63  
64  
65  
66  
67  
68  
69  
70  
71  
72  
73  
74  
75  
76  
77  
78  
79  
80  
81  
82  
83  
84  
85  
86  
87  
88  
89  
90  
91  
92  
93  
94  
95  
96  
97  
98  
99  
100

|            |                 |                 |                 |                             |
|------------|-----------------|-----------------|-----------------|-----------------------------|
| DATE       | DESIGNED        | CHECKED         | APPROVED        | PARTS NAME EX-281 1/2X QUIT |
| 10/27/1988 | 1. T. YAMASHITA | 2. M. YAMASHITA | 3. M. YAMASHITA |                             |
| DATE       | DESIGNED        | CHECKED         | APPROVED        | PARTS NAME EX-281 1/2X QUIT |
| 10/27/1988 | 1. T. YAMASHITA | 2. M. YAMASHITA | 3. M. YAMASHITA |                             |
| DATE       | DESIGNED        | CHECKED         | APPROVED        | PARTS NAME EX-281 1/2X QUIT |
| 10/27/1988 | 1. T. YAMASHITA | 2. M. YAMASHITA | 3. M. YAMASHITA |                             |

| USE FOR | SYMBOL | REVISION NO | CODE | ISSUED | DATE   |
|---------|--------|-------------|------|--------|--------|
| X58-458 | △ X    |             |      |        | 19 - - |
|         | △ X    |             |      |        | 19 - - |
|         | △ X    |             |      |        | 19 - - |
|         | △ X    |             |      |        | 19 - - |
|         | △ X    |             |      |        | 19 - - |



TK-280K2

FCCID:ALH24613120

| REF. | LAST No. | LOST No. |
|------|----------|----------|
| C    | C21      | C8       |
| D    | D9       | -        |
| L    | L8       | -        |
| Q    | Q5       | -        |
| R    | R8       | -        |

| DESIGNED      | DRAWN | CHECKED | APPROVED | PARTS NAME                   |
|---------------|-------|---------|----------|------------------------------|
| 25/SEP/1998   |       |         |          | EX-2461 VCO UNIT             |
| Y. KANOKOHATA |       |         |          | ユニット配線図<br>SCHEMATIC DIAGRAM |
|               |       |         |          | PARTS NUMBER                 |