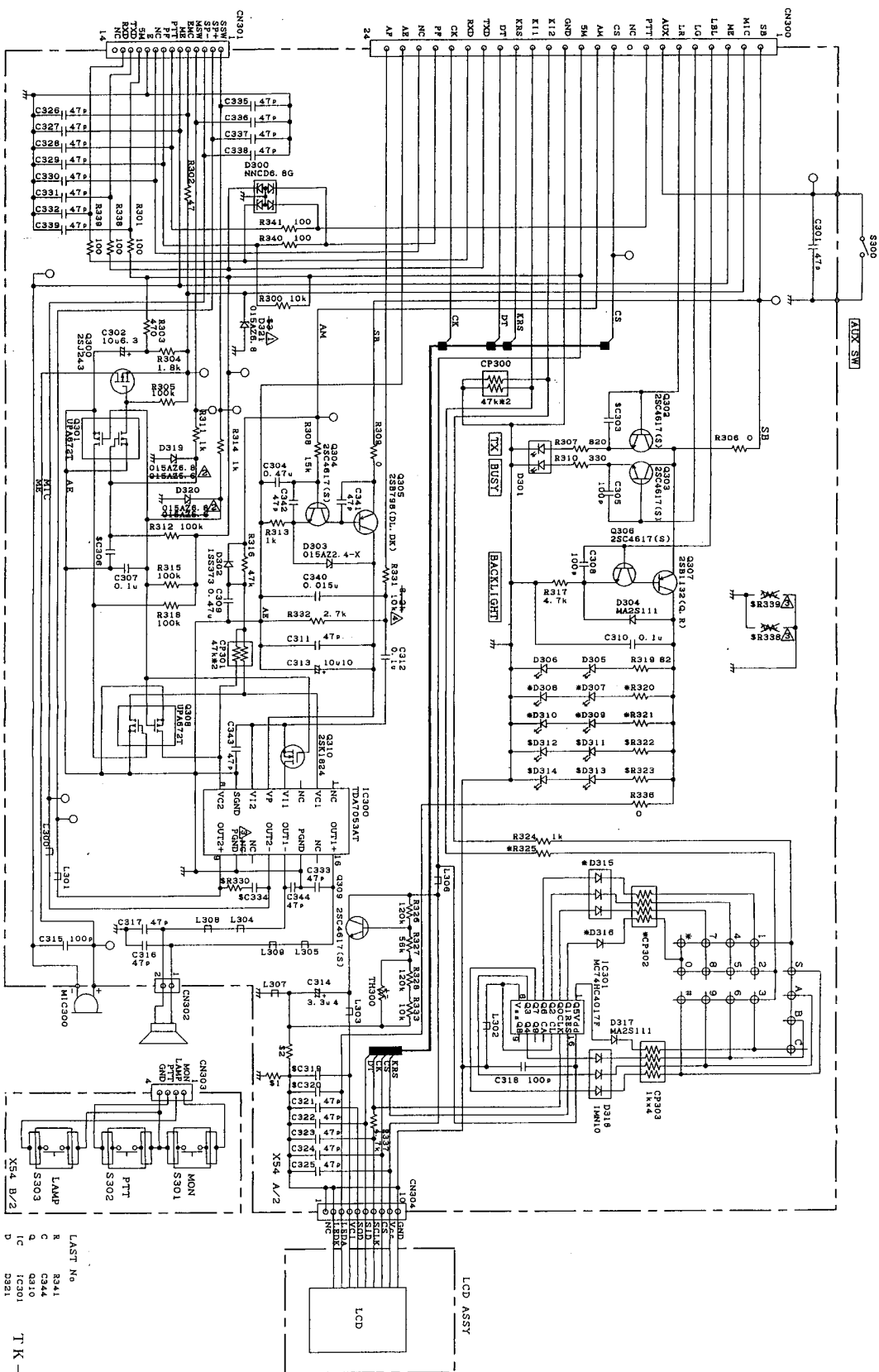


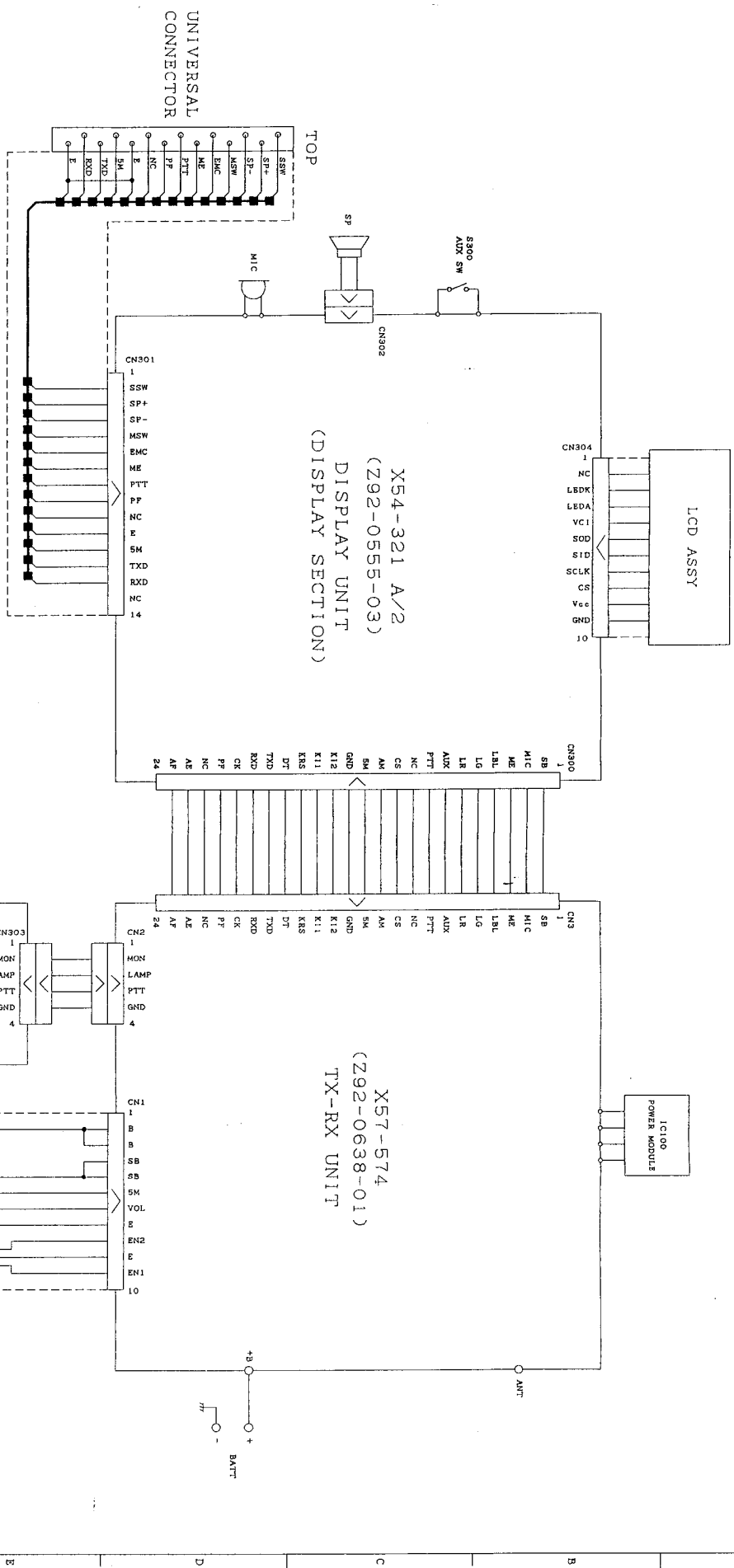
AX 6	改修加	MATSUI 1997-08-04
AX 1	25926	MATSUI 1997-11-10
AX	25927	MATSUI 1997-11-10
		19



用部 No	用部名	数量	規格	備考
X54-2310-0	R330-R331	R325	D907-0310	D316
X54-2310-10A	-	-	-	CP302
X54-2310-11	82	1K	R307-0310	D316
X54-2310-11A	82	1K	R307-0310	D316

DESIGNED	15/MAY/1997	DRAWN	10/NOV/1997	CHECKED	10/NOV/1997	APPROVED	10/NOV/1997	PARTS NAME	EX-2296/2298 DISPLAY
A. KOBAYASHI		Y. MATSUI		M. TANIGUCHI		K. HIKICHI		Z92-0555-03 1/1 04	
株式会社 三菱電機		三菱電機		三菱電機		三菱電機		SCHEMATIC DIAGRAM	
KAWASUMI CORPORATION		KAWASUMI CORPORATION		KAWASUMI CORPORATION		KAWASUMI CORPORATION		PARTS NUMBER	
								TK-280/TK-380	
								DISPLAY UNIT	

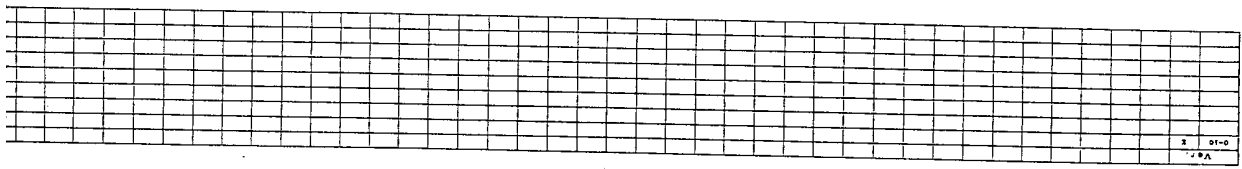
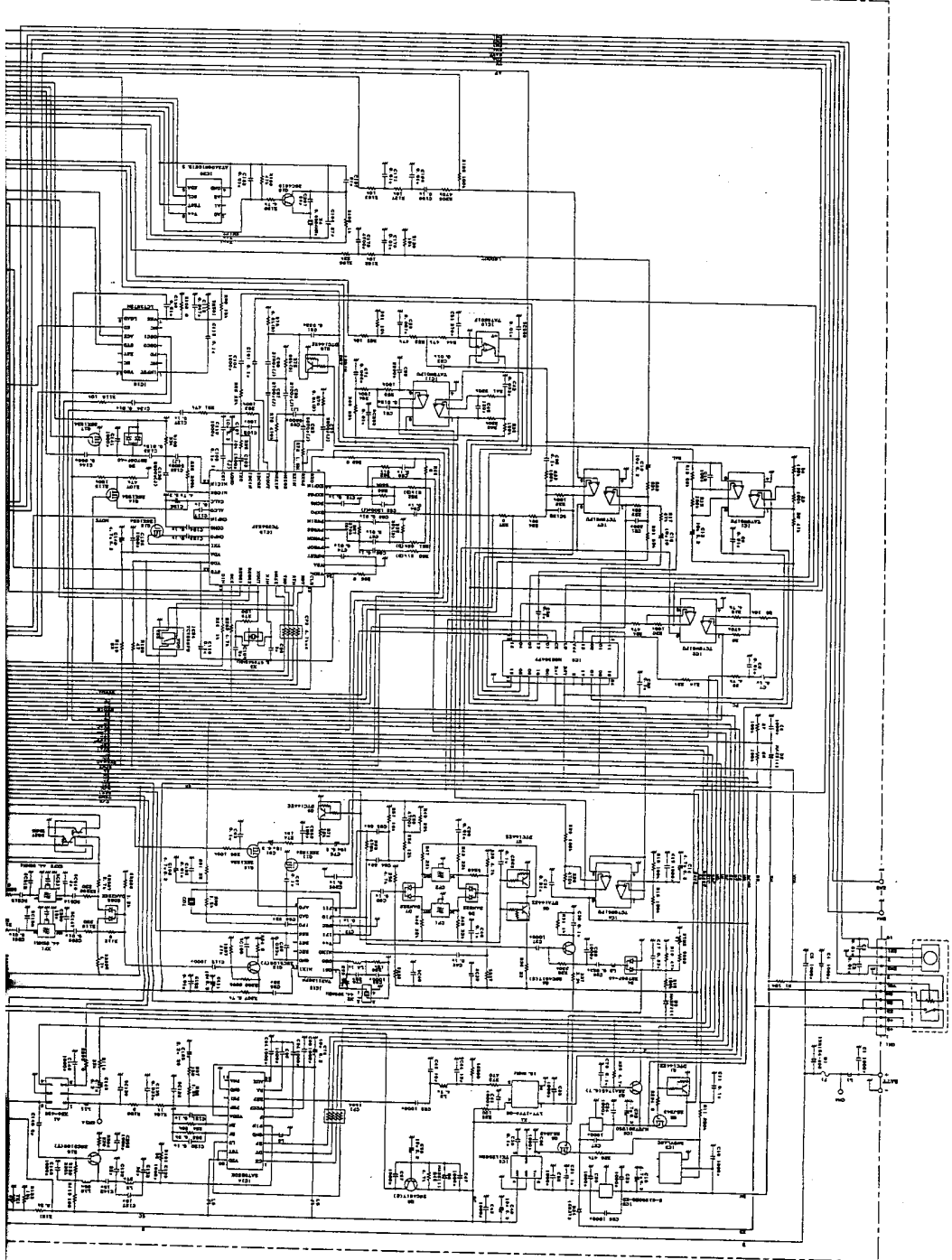
18	AX	19	-
19	AX	19	-
19	AX	19	-



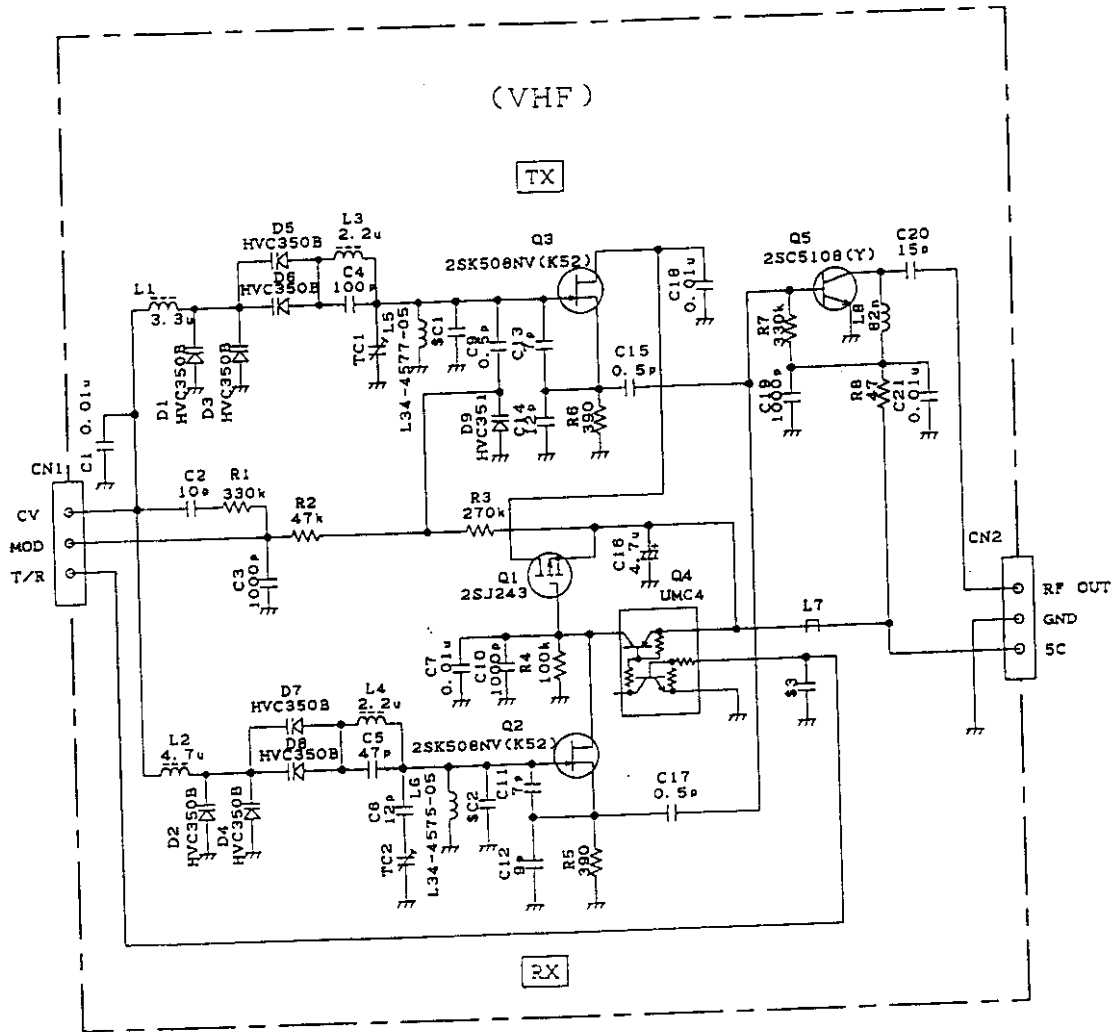
MODEL NAME	UNIT No.	IC100
Y50-4870-10 TK-280(K)	X54-3210-10	M68731HM
Y50-4870-13 TK-280(K3)	X54-3210-11	M68731HM
Y50-4870-21 TK-280(M)	X54-3210-10	M68731HM

DESIGNED 30/OCT/1998 M. TSUTSUMI	DRAWN 30/OCT/1998 Y. MATUJI	CHECKED	APPROVED 技師部 検査 印 1998.11.4 丹波	PARTS NAME INTERCONNECT DIAGRAM 接続線図	EX-2461
KENWOOD CORPORATION				PARTS NUMBER Z83-3035-03 1/1 00	S

TK-280



1	2	3	4
USE FOR	SYMBOL	REVISION NO	CODE ISSUED DATE
XSB-45B	△ X		19 - -
	△ X		19 - -
	△ X		19 - -
	△ X		19 - -
	△ X		19 - -



REF.	LAST No.	LOST No.
C	C21	CB
D	D9	-
L	L3	-
Q	Q5	-
R	R3	-

TK-280 VCO UNIT

DESIGNED	DRAWN	CHECKED	APPROVED	PARTS NAME
25/SEP/1998				EX-2451 VCO UNIT
Y. KANOKOHATA				ユニット配線図 SCHEMATIC DIAGRAM
				PARTS NUMBER