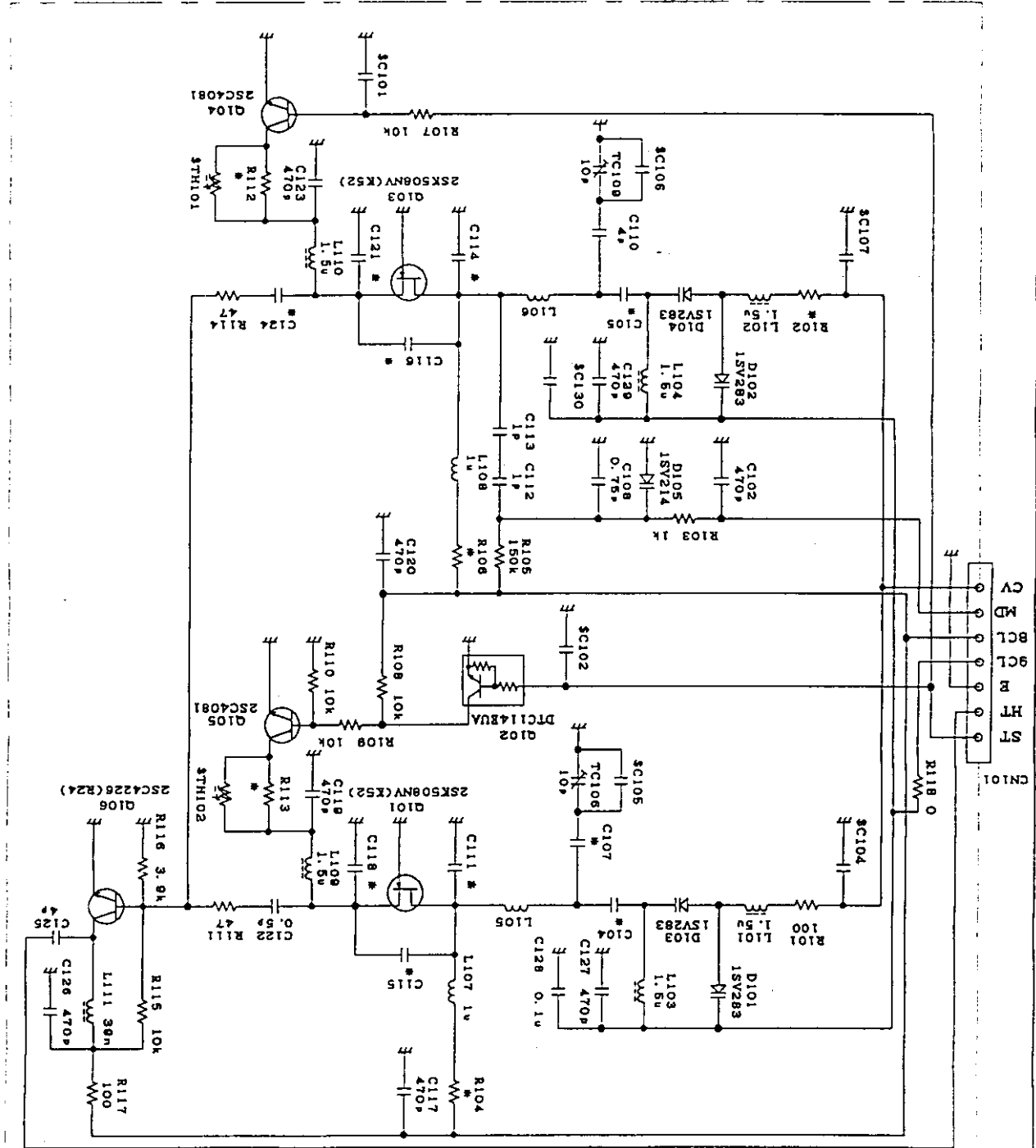


DESIGNED	26/JAN/1996	A. NAKAMURA	 KEMWOOD CORPORATION
DRAWN	23/MAR/1999	T. KOBAYASHI	
CHECKED	24/MAR/1999	N. OGASAWARA	
APPROVED	24/MAR/1999	K. MOROHASHI	
PARTS NAME			
SCHEMATIC DIAGRAM			
PARTS NUMBER			
Z92-0688-04 1/1 02			

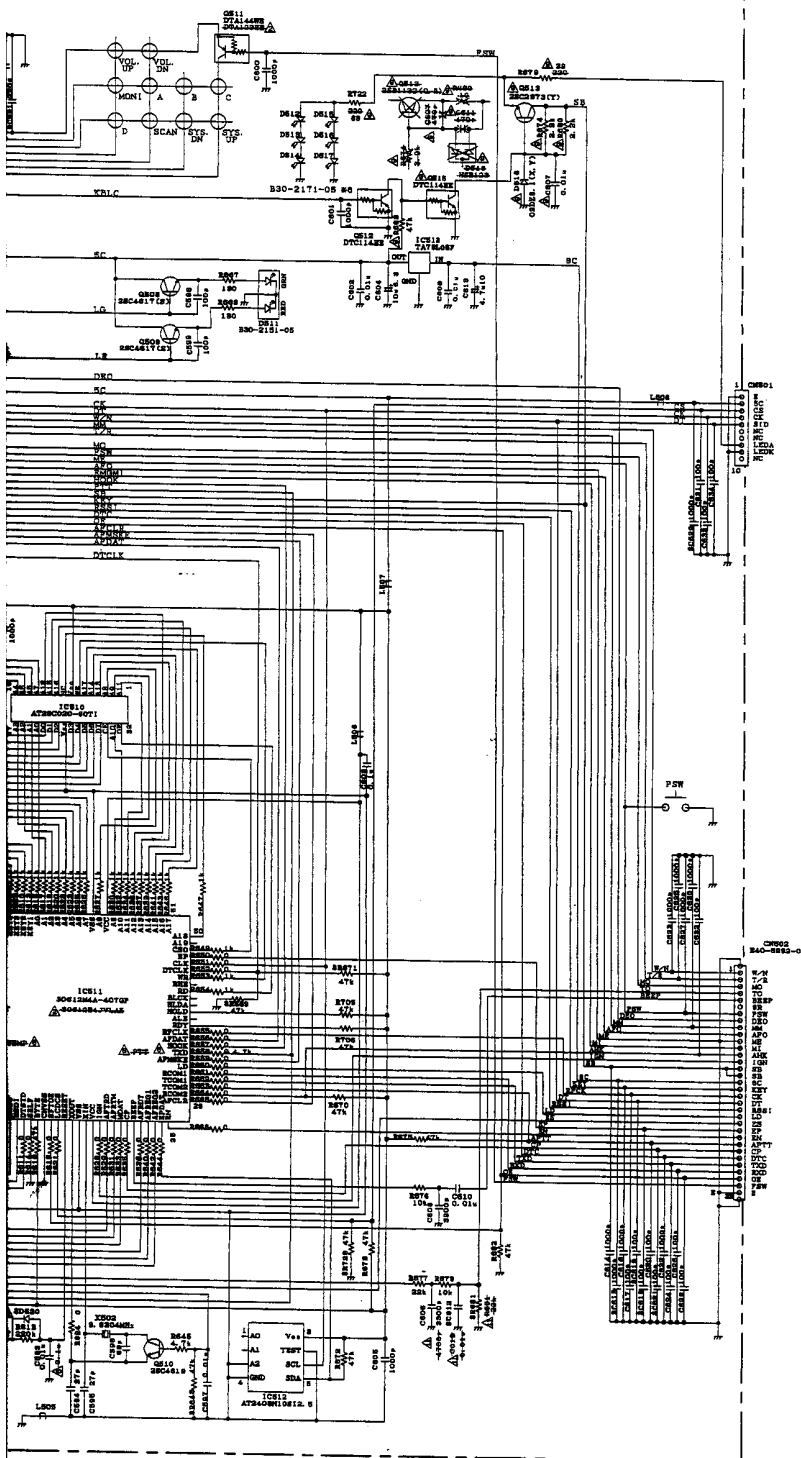
TK-880H (K3)

R122	R104	R109	R112	R113	R104	R105	R104	R121	R104
100	150	150	150	150	150	150	150	150	150
100	100	100	100	100	100	100	100	100	100
100	100	100	100	100	100	100	100	100	100



19	X		
19	X		
19	X		

USE FOR	SYMBOL	REVISION NO	CODE	ISSUED	DATE
X57-5730-10	△ X 5	29976		F. MORIUCHI	1988-10-12
X57-5730-11	△ X 2	30213		T. KOBAYASHI	1988-10-30
X57-5730-12	△ X 5	30411		T. KOBAYASHI	1988-11-09
X57-5730-13	△ X 3	30511		T. OHSUKI	1988-11-17
X57-5730-14	△ X 1	31048		T. KOBAYASHI	1988-12-24
X57-5730-15	△ X 1	31261		F. MORIUCHI	1989-01-11
	△ X 11	31706		T. KOBAYASHI	1989-03-02
	△ X 15	31852		T. OHSUKI	1989-03-18
	△ X 2	32510	32414	Y. KUBO	1989-04-19
	△ X 7			A. NAKAMURA	1989-05-14
	△ X 7			Y. KUBO	1989-05-25

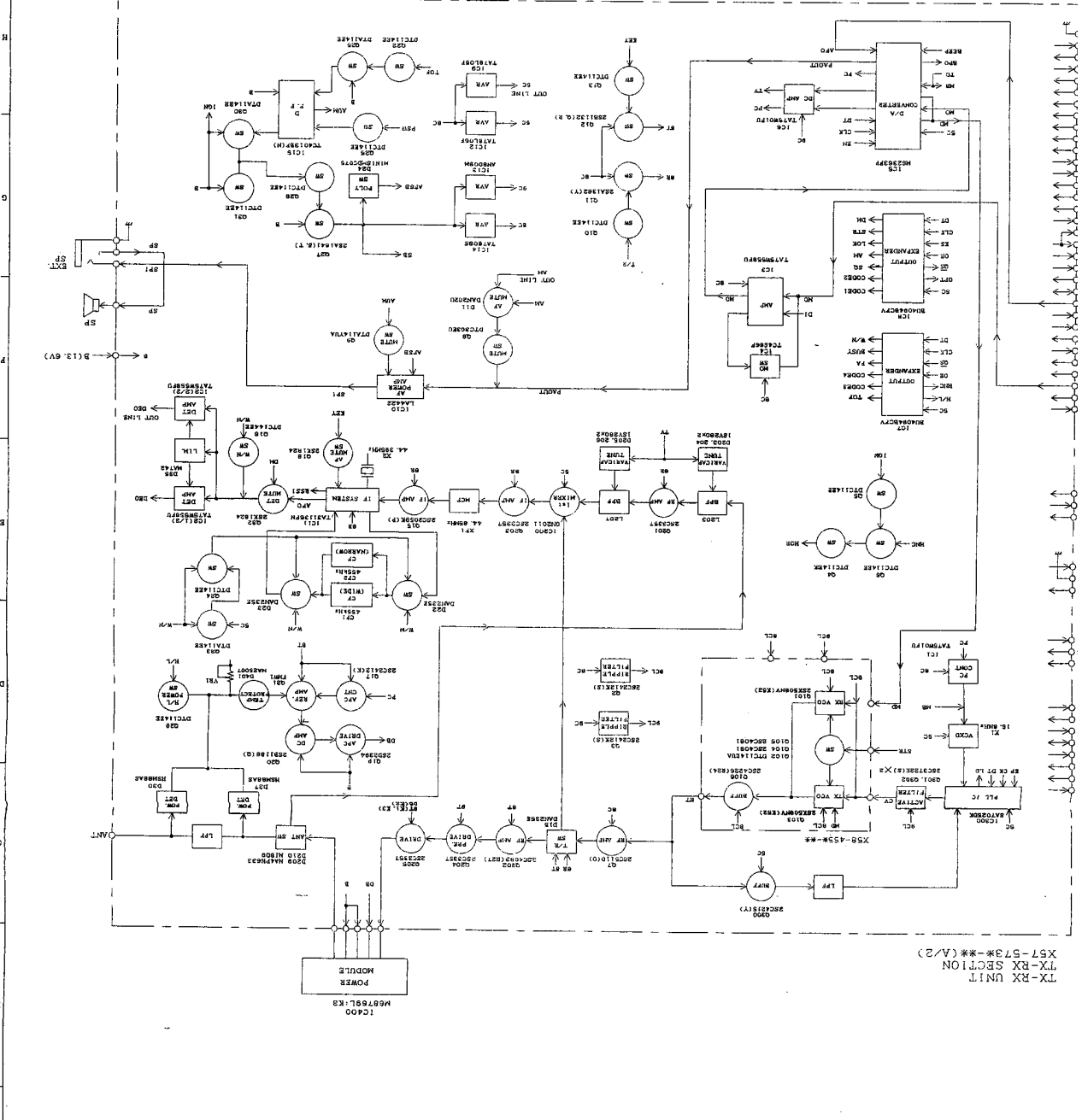


TK-880H (K3)

DESIGNED	DRAWN	CHECKED	APPROVED	PARTS NAME
	27/MAY/1989	04/JUN/1989	04/JUN/1989	ユニット配線図
	Y. KUBO	H. MIYAI	I. MORIYASHI	SCHEMATIC DIAGRAM
				PARTS NUMBER
				Z92-0686-01 1/1 12

株式会社ケンウッド KENWOOD CORPORATION

16	CODE	ISSUED	DATE
15	USB FOR	SYMBOL	REVISION NO
14			
13			
12			
11			
10			
9			
8			
7			
6			
5			
4			
3			
2			
1			



TX-RX SECTION
XST-573M-** (A/2)

FCC ID: A1H2459230 (Model TK-880H-3)

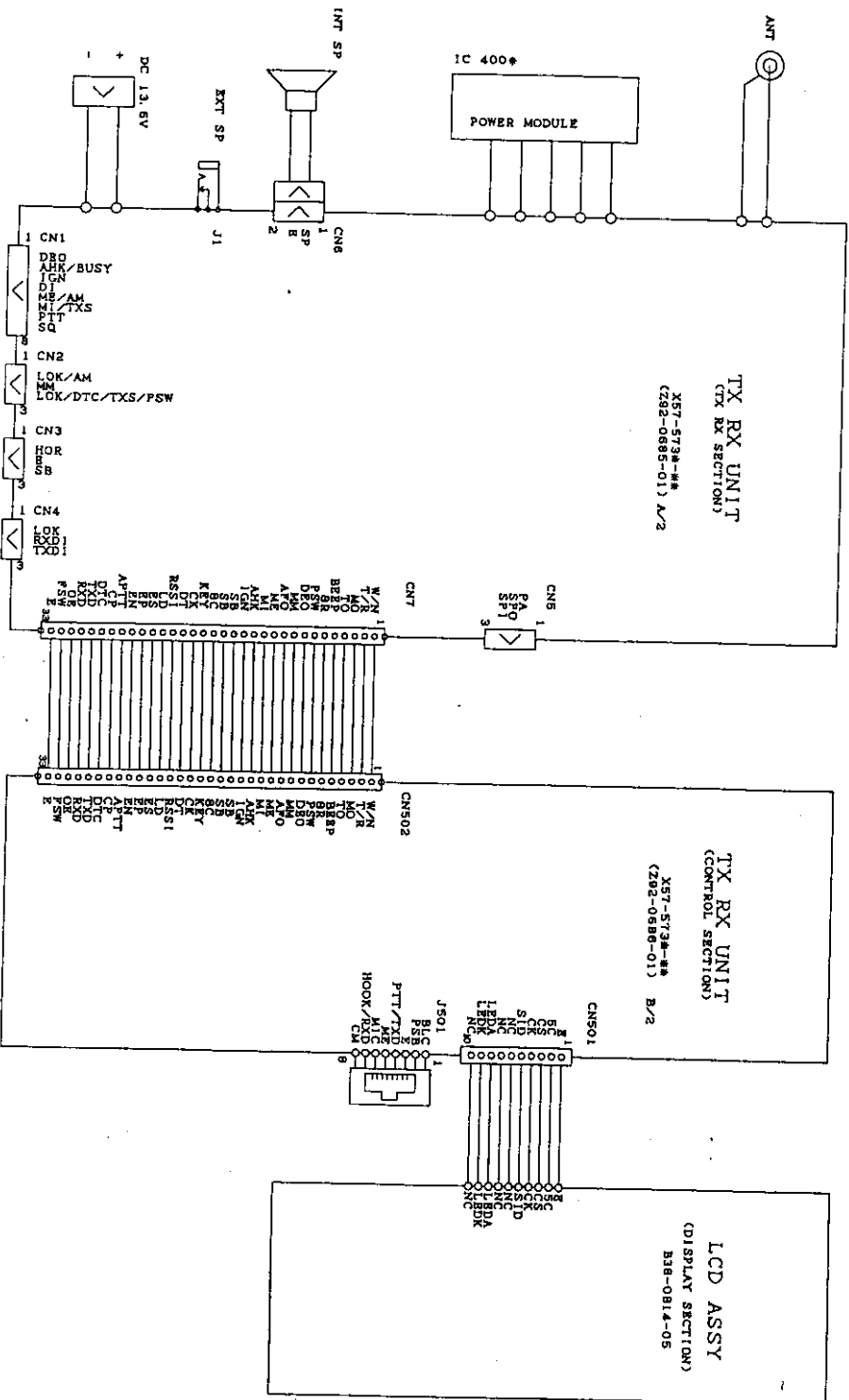
DESIGNED DRAWN CHECKED APPROVED PARTS NAME

BLOCK DIAGRAM

PARTS NUMBER

TK-880H K3

USE FOR	SYMBOL	REVISION NO	CODE	ISSUED
Y51-4560-15	AX			
	AX			
	AX			
	AX			



TX RX UNIT	IC400
Y51-4560-10	S-AU27AM(K3)
Y51-4560-11	S-AU27AH(K3)
Y51-4560-12	S-AU27AL(K3)
Y51-4560-13	M68769H
Y51-4560-14	M68769SH
Y51-4560-15	M68769L

DESIGNED	DRAWN	CHECKED	APPROVED	PARTS NAME
22/OCT./1998	24/FEB/1999	24/FEB/1999	02/MAR/1999	松浦 徳久
T. HORIUCHI	T. HORIUCHI	N. OGASAWARA	I. MOROHASHI	松浦 徳久
株式会社 株式会社				INTERCONNECT DIAGR
KURECO CORPORATION				PARTS NUMBER
				Z83-3067-03 1/1