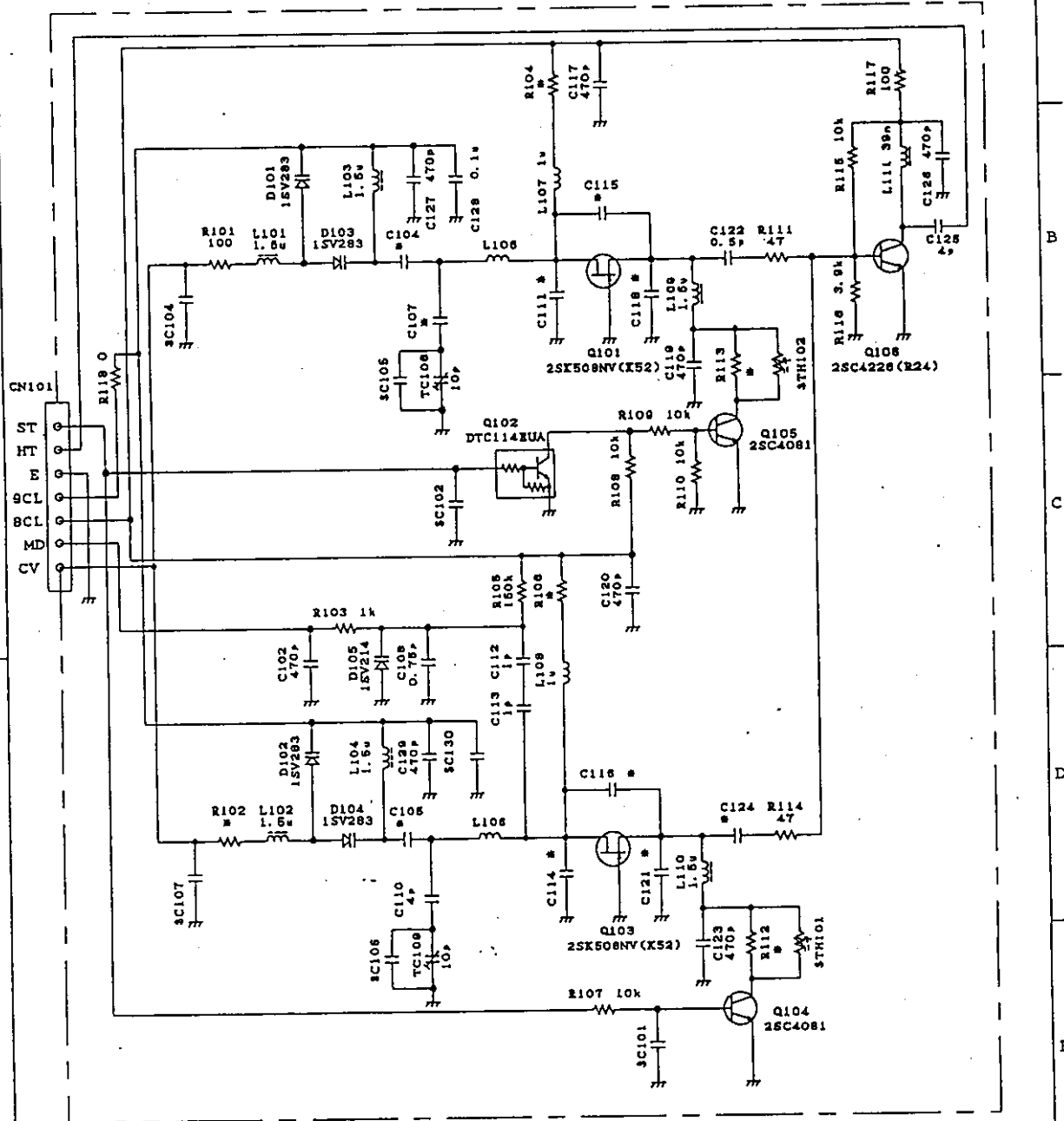


ID: ALH24593220 (Model TK-880H-2)
2.1033(c)(10) SCHEMATICS

USE FOR	SYMBOL	REVISION NO	CODE	ISSUED	DATE
X58-455*-**	△ X 9	31707		K. ODA	1999-02-17
	△ X 3	32046		T. MORIUCHI	1899-03-19
	△ X				19 - -
	△ X				19 - -
	△ X				19 - -

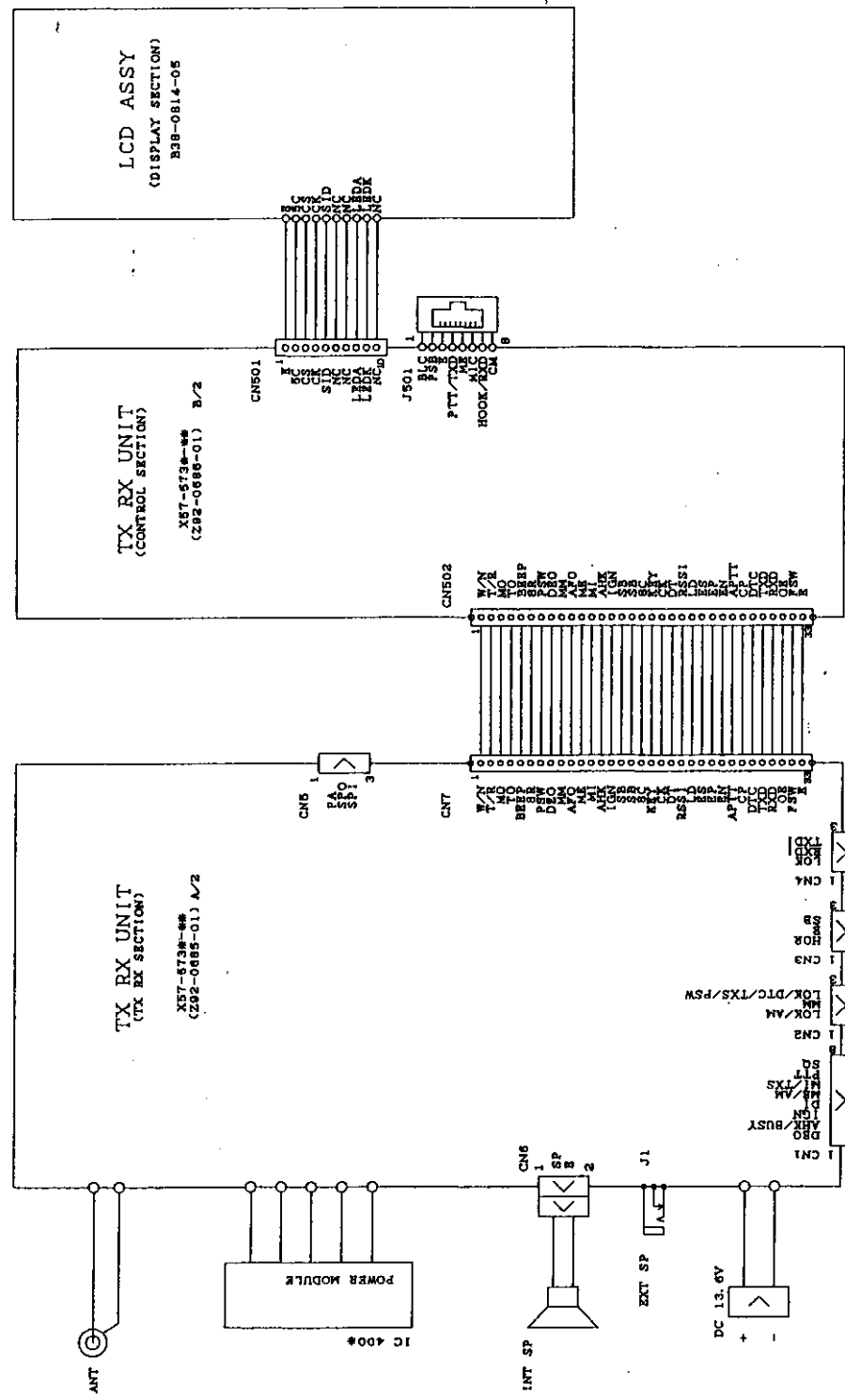


	R102	R104	R106	R112	R113	C104	C105	C107	C111	C114	C115	C116	C118	C121	C124
0-10	0	100	100	150	180	100	100	100	100	100	40	100	100	100	0.50
0-11	100	150	100	150	150	100	100	40	40	2.50	20	40	20	80	0.750
0-12	100	100	10	180	180	130	130	100	50	40	100	100	70	50	0.750

TK-880H (K2)

DESIGNED	DRAWN	CHECKED	APPROVED	PARTS NAME	
26/JAN/1996	23/MAR/1999	24/MAR/1999	24/MAR/1999	ユニット配線図	
A. NAKAMURA	T. KOBAYASHI	N. OGASAWARA	K. MOROHASHI	SCHEMATIC DIAGRAM	
				PARTS NUMBER	
株式会社ケンウッド KENWOOD CORPORATION				Z92-0688-04 1/1 02	S

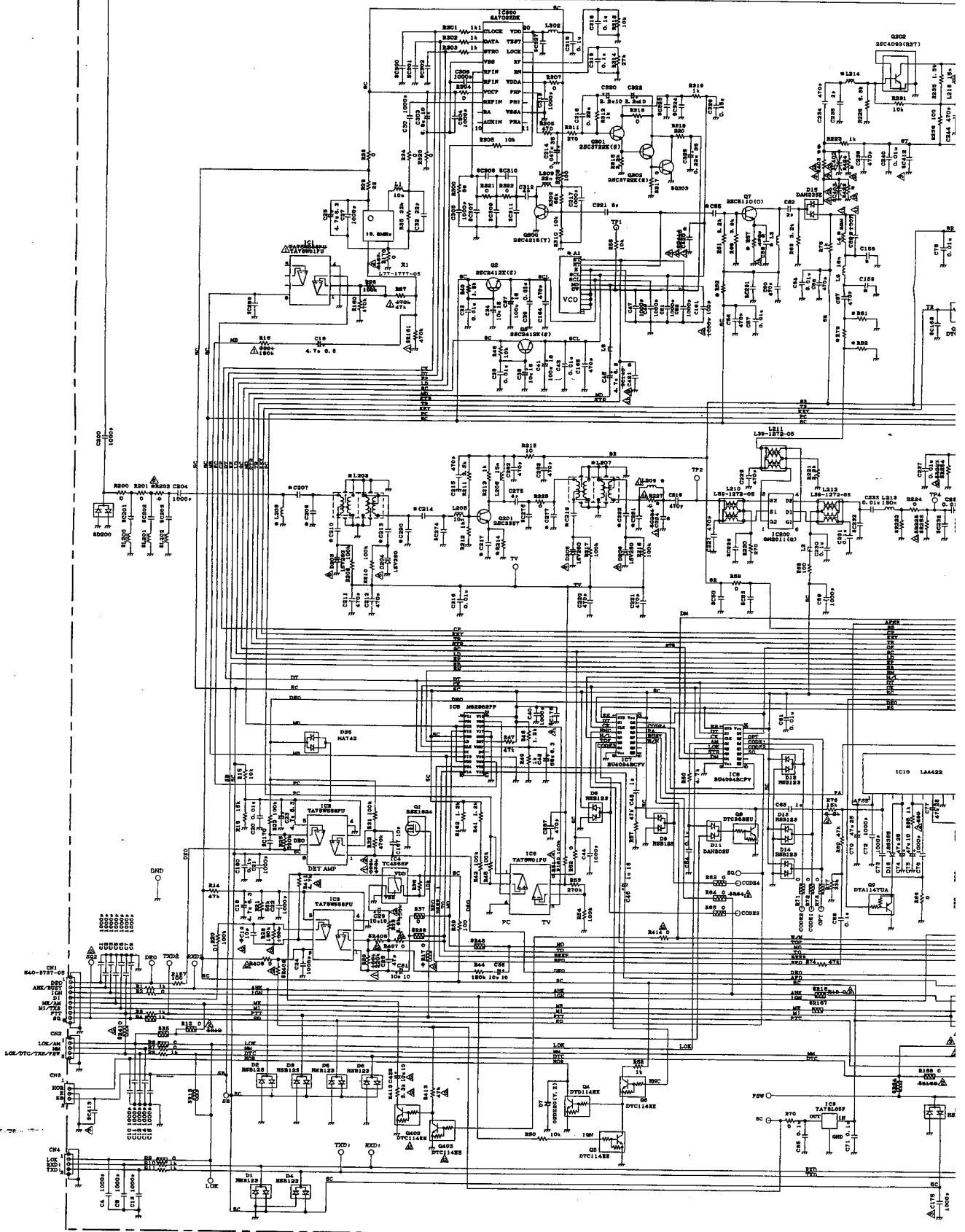
USE FOR	SYMBOL	REVISION NO	CODE ISSUED	DATE
Y51-4560-10	A X			19 --
Y51-4560-11	A X			19 --
Y51-4560-12	A X			19 --
Y51-4560-13	A X			19 --
Y51-4560-14	A X			19 --
Y51-4560-15	A X			19 --



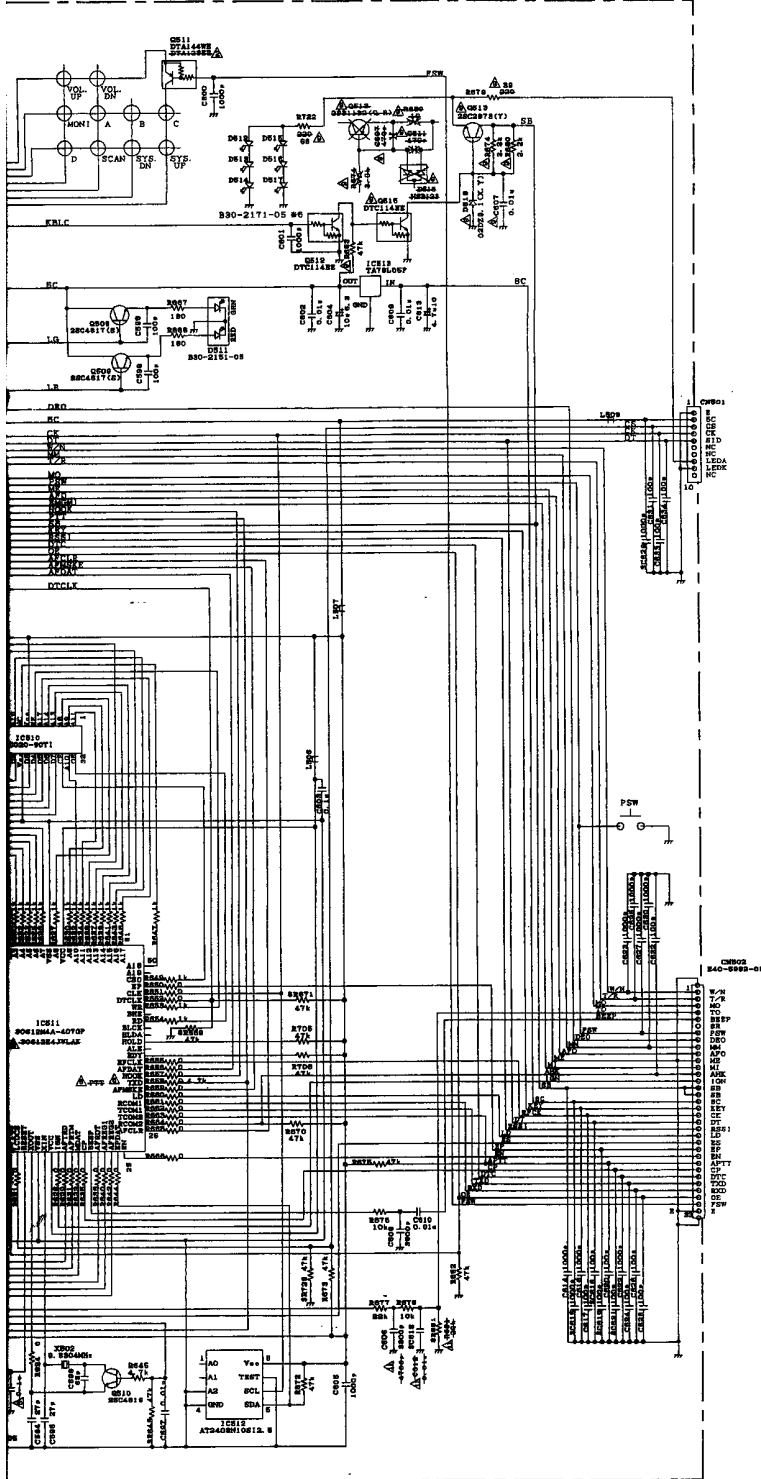
TX RX UNIT	IC400
Y51-4560-10	X57-5730-10 S-AU27AM(K3)
Y51-4560-11	X57-5730-11 S-AU27AH(K3)
Y51-4560-12	X57-5730-12 S-AU27AL(K3)
Y51-4560-13	X57-5730-13 M68T69H
Y51-4560-14	X57-5730-14 M68T69SSH
Y51-4560-15	X57-5730-15 M68T69L

DESIGNED	DRAWN	CHECKED	APPROVED	PARTS NAME
22/OCT./1998 I. Horiuchi	24/FEB/1999 T. HORIUCHI	24/FEB/1999 H. OGASAWARA	02/MAR/1999 I. MORIYASHI	TK-B80 INTERCONNECT DIAGRAM
Z83-3067-03 1/1 01				PARTS NUMBER

東洋電機株式会社
KAWASUMI CORPORATION

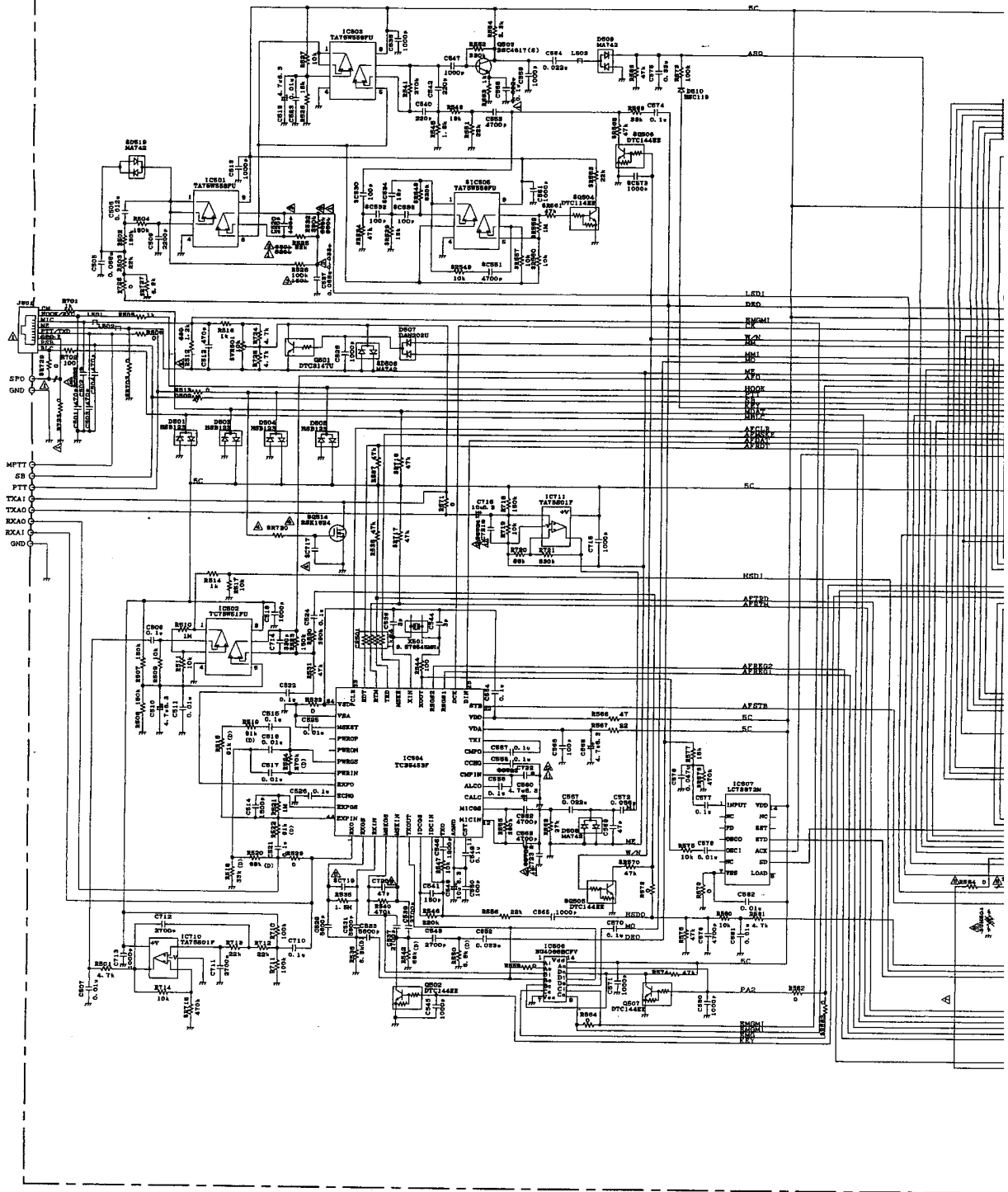


USE FOR	SYMBOL	REVISION NO	CODE	ISSUED	DATE
XE7-5730-10	△ X 6	29976		T. MORIUCHI	1998-10-12
XE7-5730-11	△ X 2	30213		T. KOBAYASHI	1998-10-30
XE7-5730-12	△ X 5	30411		T. KOBAYASHI	1998-11-06
XE7-5730-13	△ X 3	30511		T. OKUMI	1998-11-17
XE7-5730-14	△ X 1	31048		T. KOBAYASHI	1998-12-24
XE7-5730-15	△ X 1	31261		T. MORIUCHI	1999-01-11
	△ X 1	31269		T. MORIUCHI	1999-01-12
	△ X 11	31706		T. KOBAYASHI	1999-03-18
	△ X 15	31852		T. OKUMI	1999-03-18
	△ X 2	32028	22414	T. KURO	1999-04-19
	△ X 7	32510		A. HAKAMURA	1999-05-14
	△ X 7	32528		T. KURO	1999-05-25



TK-880H (K2)

DESIGNED	DRAWN	CHECKED	APPROVED	PARTS NAME
	27/MAY/1999	04/JUN/1999	04/JUN/1999	ユニット配線図 SCHEMATIC DIAGRAM
	T. EUDO	H. MIRO	I. NOKHASHI	PARTS NUMBER
株式会社ケンウッド KENWOOD CORPORATION				Z92-0686-01 1/1 12



△ (REV)-REV

	C502	C721	C722	C723
0-10	-	-	-	-
0-11	-	-	-	-
0-12	-	-	-	-
0-13	-	-	-	-
0-14	220*	220*	220*	220*
0-15	220*	220*	220*	220*

