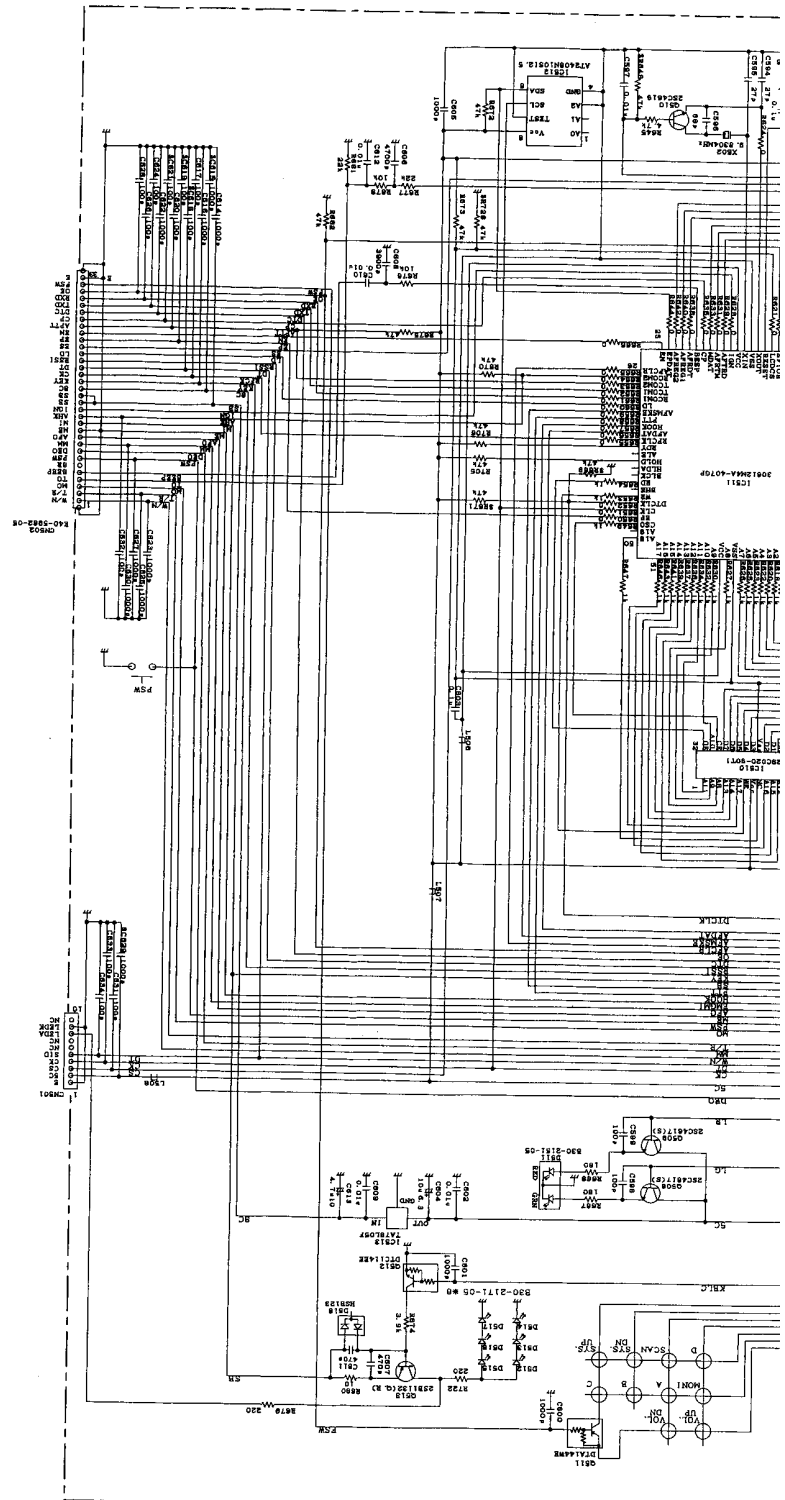
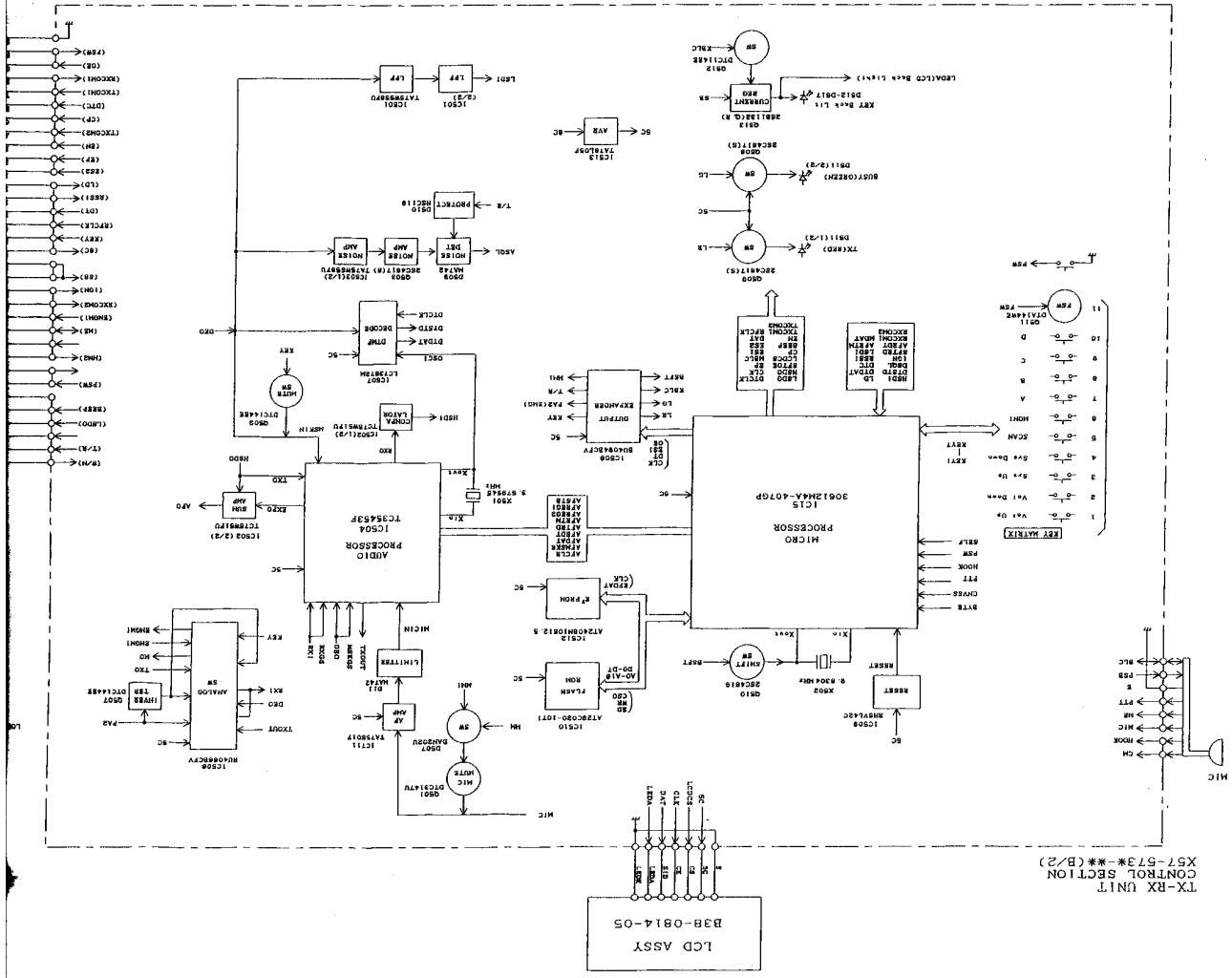


DESIGNED	DRAWN	CHECKED	APPROVED	PARTS NAME	TK-880
30/OCT/1998	30/OCT/1998	30/OCT/1998	30/OCT/1998	CONTROL SECTION	
T. LOBAYASHI	N. OKAMURA	I. MORIYASHI		PARTS NUMBER	
KAWASUMI CORPORATION					292-0686-01/1/02

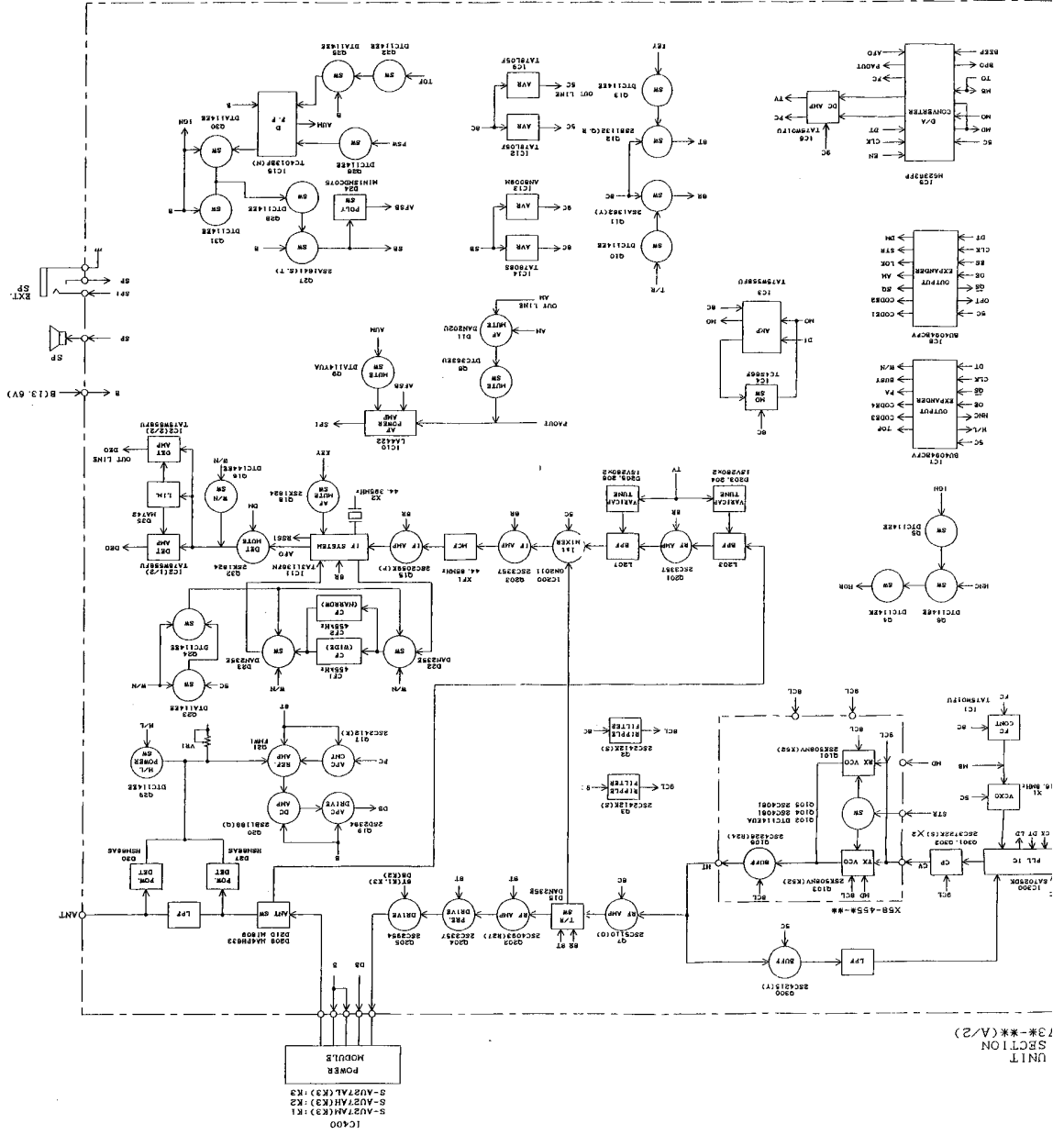


14	USE FOR	SYMBOL	REVISION NO.	CODE	ISSUED	DATE
13		△				
12		△				
11		△				
10		△				
9		△				
8		△				
7		△				
6		△				
5		△				
4		△				
3		△				
2		△				
1		△				



TX-RX UNIT  
 CONTROL SECTION  
 X57-573\*-\*(B/2)

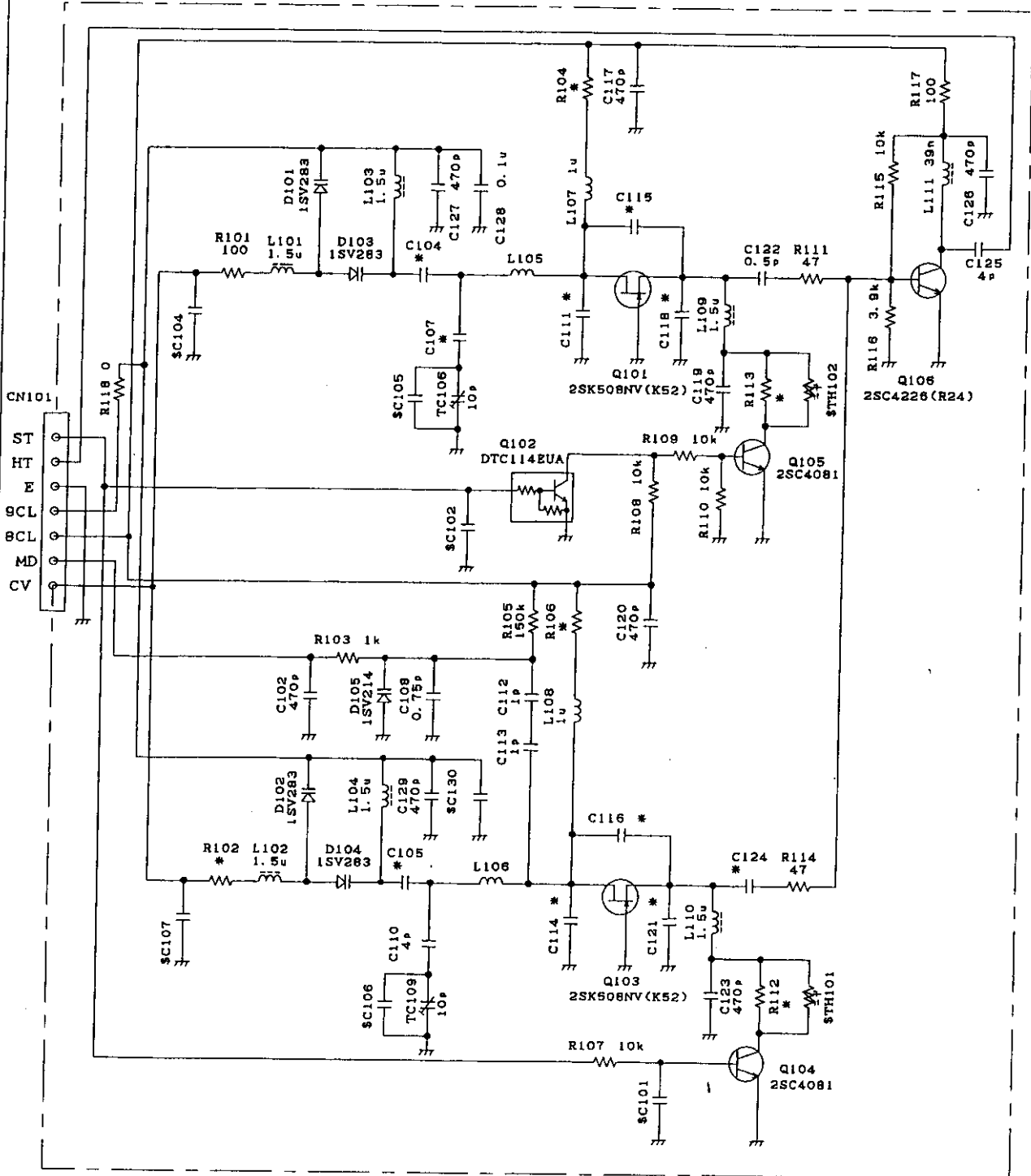
DESIGNED	DRAWN	CHECKED	APPROVED	PARTS NAME
				BLOCK DIAGRAM
				PARTS NUMBERS
				TK-880 K1/K2/K3



REV	DATE	ISSUED	CODE	REVISION NO	SYMBOL	USE FOR
19						
18						
17						
16						
15						
14						
13						
12						
11						
10						

UNIT SECTION  
TK-880 (A/2)

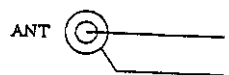
USE FOR	SYMBOL	REVISION NO	CODE	ISSUED	DATE
X58-455*-**	△ X				19 - -
	△ X				19 - -
	△ X				19 - -
	△ X				19 - -
	△ X				19 - -



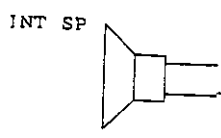
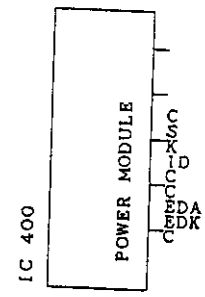
	R102	R104	R106	R112	R113	C104	C105	C107	C111	C114	C115	C116	C118	C121	C124
0-10	0	27	27	150	180	10p	7p	10p	4p	4p	4p	6p	9p	7p	0.5p
0-11	100	150	39	150	150	10p	7p	4p	4p	2.5p	2p	4p	2p	8p	0.75p
0-12	100	100	10	180	180	13p	13p	10p	5p	4p	10p	10p	7p	5p	0.75p

DESIGNED 26/JAN/1996 A. NAKAMURA	DRAWN 21/OCT/1998 K. NOMURA	CHECKED 21/OCT/1998 N. OGASAWARA	APPROVED 21/OCT/1998 K. MOROHASHI	PARTS NAME ユニット配線図 SCHEMATIC DIAGRAM PARTS NUMBER	TK-880
--	-----------------------------------	--	---	--	--------

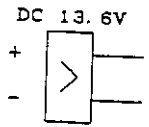
REV	REVISION NO	CODE	ISSUED	DATE
				19 - -
				19 - -
				19 - -
				19 - -
				19 - -



LCD ASSY  
(DISPLAY SECTION)  
B38-0814-05



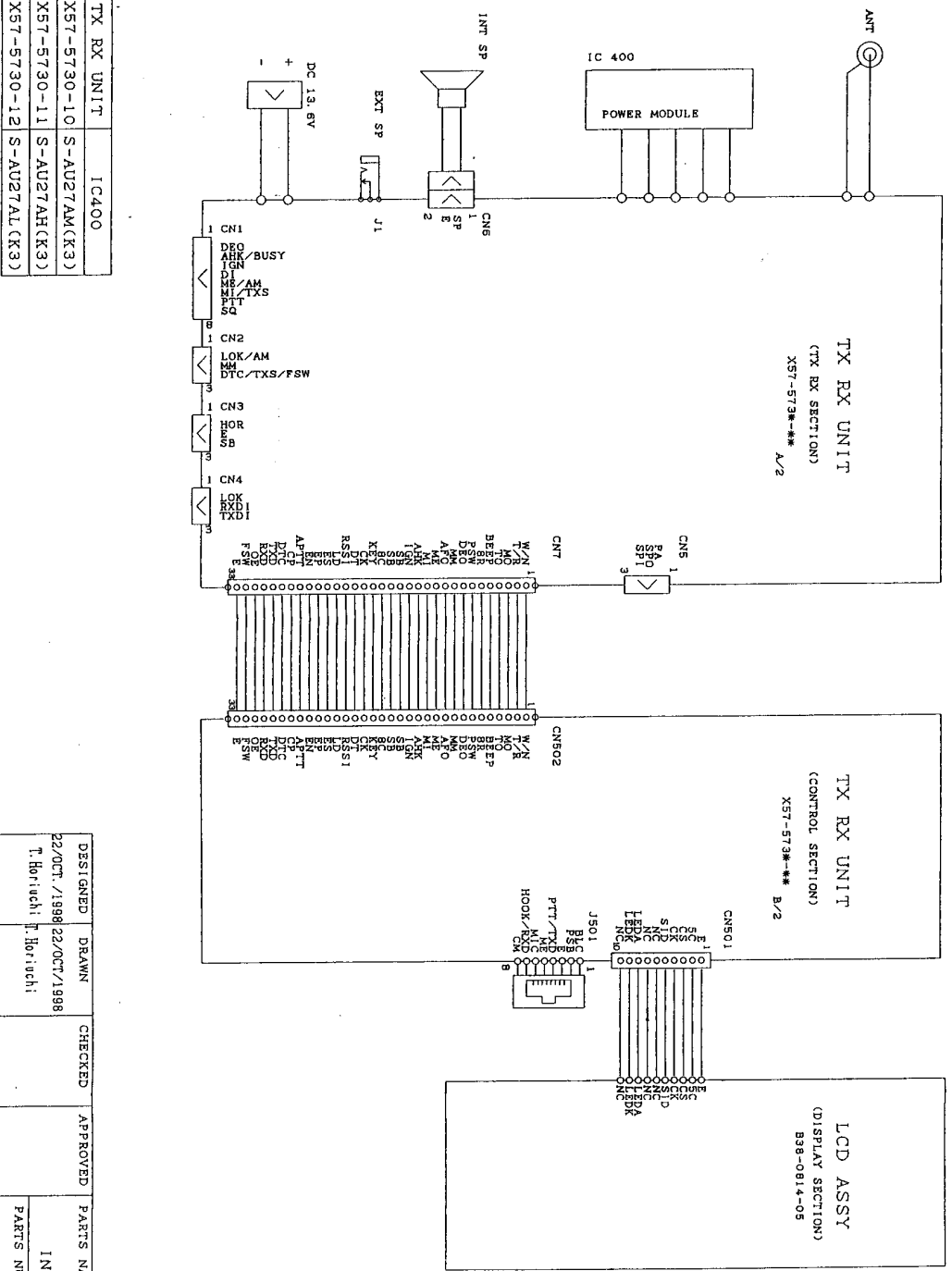
EXT SP



	TX RX UNIT	APPROVED	PARTS NAME
Y51-4560-10	X57-5730-10		総配線図 TK-880
Y51-4560-11	X57-5730-11		INTERCONNECT DIAGRAM
Y51-4560-12	X57-5730-12		PARTS NUMBER



19	-	-	-
19	-	-	-
19	-	-	-
19	-	-	-



DESIGNED	DRAWN	CHECKED	APPROVED	PARTS NAME
22/OCT./1998	22/OCT/1998			松本 徳彦
T. Horiechi	T. Horiechi			松本 徳彦
KENWOOD CORPORATION				TK-880
				INTERCONNECT DIAGRAM
				Z83-3067-03
				S

Node: scab8 directory: /users/scn/work/c5231  
 Name: 17:18 NA-.../08  
 Page: Y51456000