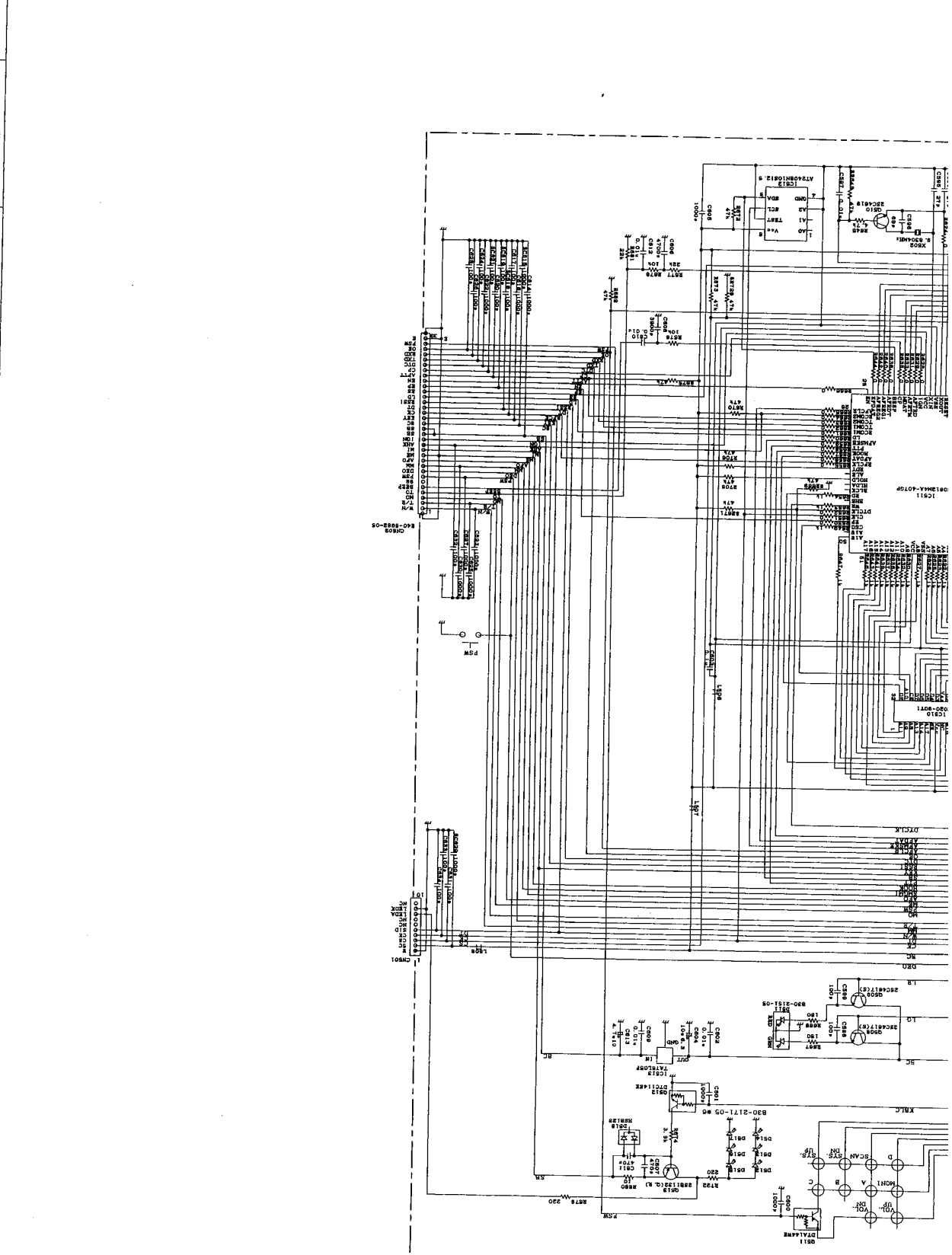


100
99
98
97
96
95
94
93
92
91
90
89
88
87
86
85
84
83
82
81
80
79
78
77
76
75
74
73
72
71
70
69
68
67
66
65
64
63
62
61
60
59
58
57
56
55
54
53
52
51
50
49
48
47
46
45
44
43
42
41
40
39
38
37
36
35
34
33
32
31
30
29
28
27
26
25
24
23
22
21
20
19
18
17
16
15
14
13
12
11
10
9
8
7
6
5
4
3
2
1

DESIGNED	DRAWN	CHECKED	APPROVED	PARTS NAME	TK-880
30/OCT/1998	30/OCT/1998	30/OCT/1998	30/OCT/1998	PARTS NUMBER	Z92-0686-01 1/1 02
T. FODAYASHI		N. OASAYAMA		K. MOROHASHI	
KENWOOD CORPORATION					

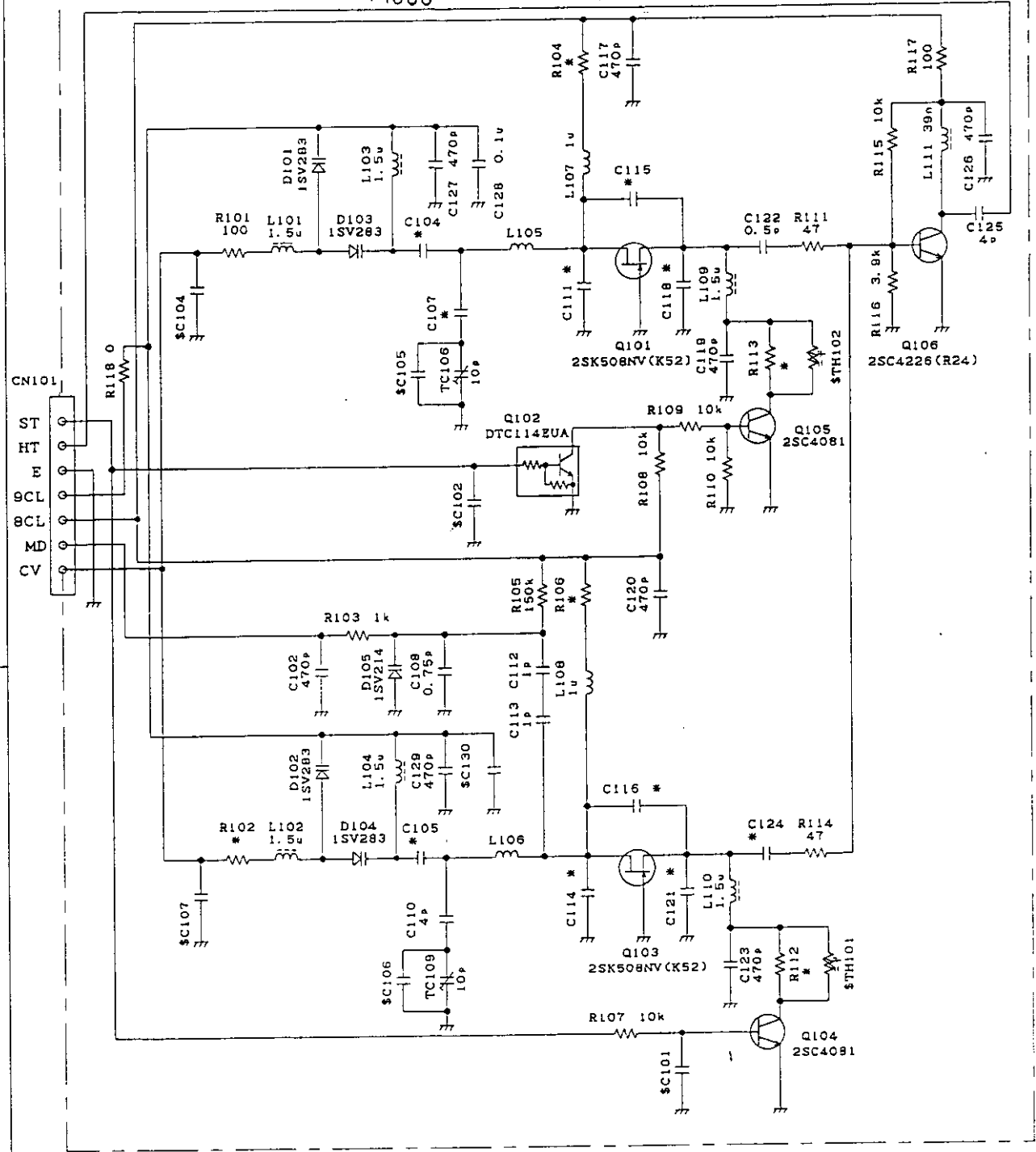


14	USE FOR	SYMBOL	REVISION NO	CODE	ISSUED	DATE
10	X57-5730-10	ΔX				
11	X57-5730-11	ΔX				
12	X57-5730-12	ΔX				
13		ΔX				
14		ΔX				
15		ΔX				
16		ΔX				
17		ΔX				
18		ΔX				
19		ΔX				
20		ΔX				
21		ΔX				
22		ΔX				
23		ΔX				
24		ΔX				
25		ΔX				
26		ΔX				
27		ΔX				
28		ΔX				
29		ΔX				
30		ΔX				
31		ΔX				
32		ΔX				
33		ΔX				
34		ΔX				
35		ΔX				
36		ΔX				
37		ΔX				
38		ΔX				
39		ΔX				
40		ΔX				
41		ΔX				
42		ΔX				
43		ΔX				
44		ΔX				
45		ΔX				
46		ΔX				
47		ΔX				
48		ΔX				
49		ΔX				
50		ΔX				
51		ΔX				
52		ΔX				
53		ΔX				
54		ΔX				
55		ΔX				
56		ΔX				
57		ΔX				
58		ΔX				
59		ΔX				
60		ΔX				
61		ΔX				
62		ΔX				
63		ΔX				
64		ΔX				
65		ΔX				
66		ΔX				
67		ΔX				
68		ΔX				
69		ΔX				
70		ΔX				
71		ΔX				
72		ΔX				
73		ΔX				
74		ΔX				
75		ΔX				
76		ΔX				
77		ΔX				
78		ΔX				
79		ΔX				
80		ΔX				
81		ΔX				
82		ΔX				
83		ΔX				
84		ΔX				
85		ΔX				
86		ΔX				
87		ΔX				
88		ΔX				
89		ΔX				
90		ΔX				
91		ΔX				
92		ΔX				
93		ΔX				
94		ΔX				
95		ΔX				
96		ΔX				
97		ΔX				
98		ΔX				
99		ΔX				
100		ΔX				

USE FOR	SYMBOL	REVISION NO	CODE	ISSUED	DATE
XSB-455*-**	△ X				
	△ X				
	△ X				
	△ X				
	△ X				

FCC ID: ALH24593110
SCHEMATICS

FCC/MELLON DEC 14 1998



	R102	R104	R105	R112	R113	C104	C105	C107	C111	C114	C115	C116	C118	C121	C124
0-10	0	27	27	150	150	10p	7p	10p	4p	4p	4p	8p	9p	7p	0.5p
0-11	100	150	39	150	150	10p	7p	4p	4p	2.5p	2p	4p	2p	9p	0.75p
0-12	100	100	10	150	150	13p	13p	10p	5p	4p	10p	10p	7p	5p	0.75p

DESIGNED 26/JAN/1996 A. NAKAMURA	DRAWN 21/OCT/1998 K. NOMURA	CHECKED 21/OCT/1998 N. OGASAWARA	APPROVED 21/OCT/1998 K. MOROHASHI	PARTS NAME ユニット記号 SCHEMATIC DIAGRAM PARTS NUMBER	TK-880
--	-----------------------------------	--	---	---	--------