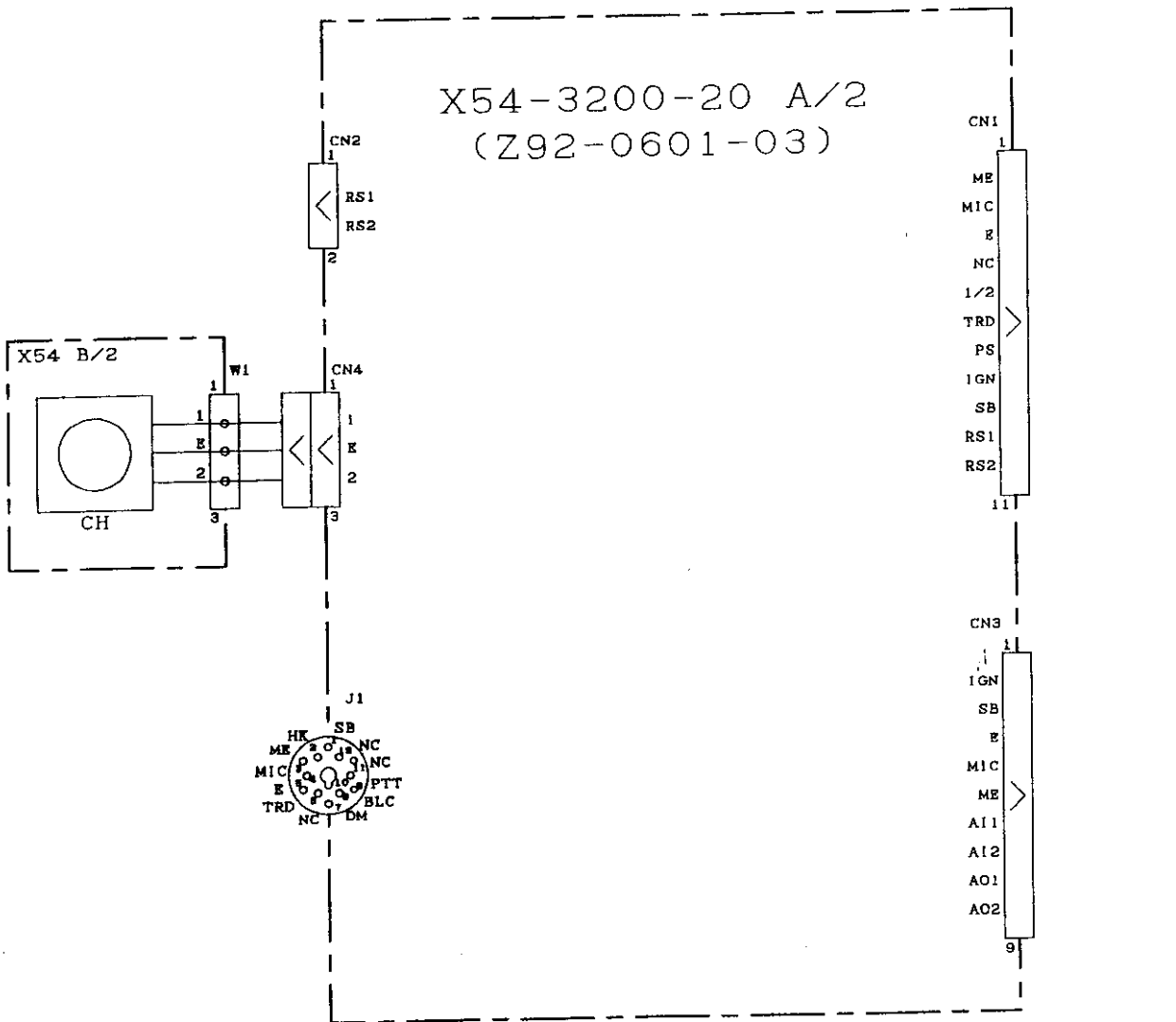
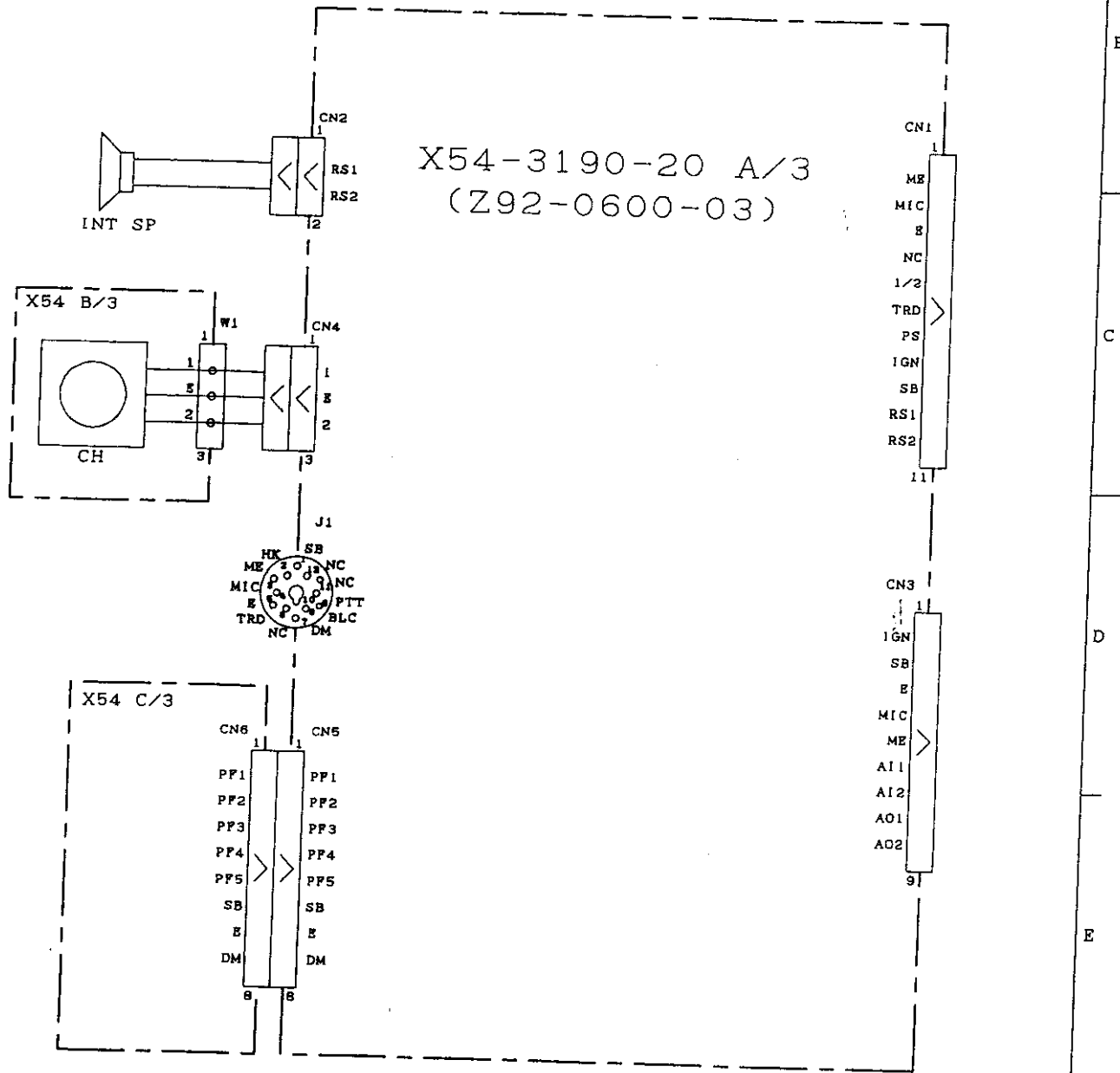


USE FOR	SYMBOL	REVISION NO	CODE	ISSUED	DATE
Y60-3800-20	△ X				19 - -
	△ X				19 - -
	△ X				19 - -
	△ X				19 - -
	△ X				19 - -

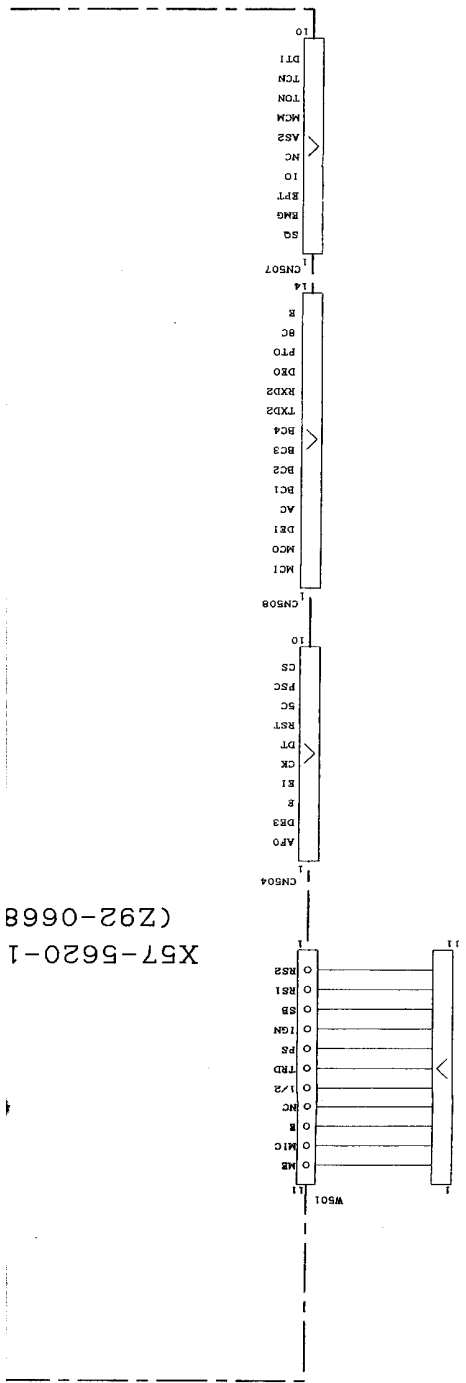


DESIGNED	DRAWN	CHECKED	APPROVED	PARTS NAME	TK-790/TK-890
05/JUN/1998	24/JUN/1998	24/JUN/1998	29/JUN/1998	総配線図	KCH-111
T. SAITO	Y. MATUI	T. SAITOU	K. HIKICHI	INTERCONNECT DIAGRAM	
				PARTS NUMBER	
				783-3056-04	1/1 01

USE FOR	SYMBOL	REVISION NO	CODE	ISSUED	DATE
Y60-3790-20	△ X				19 - -
	△ X				19 - -
	△ X				19 - -
	△ X				19 - -
	△ X				19 - -

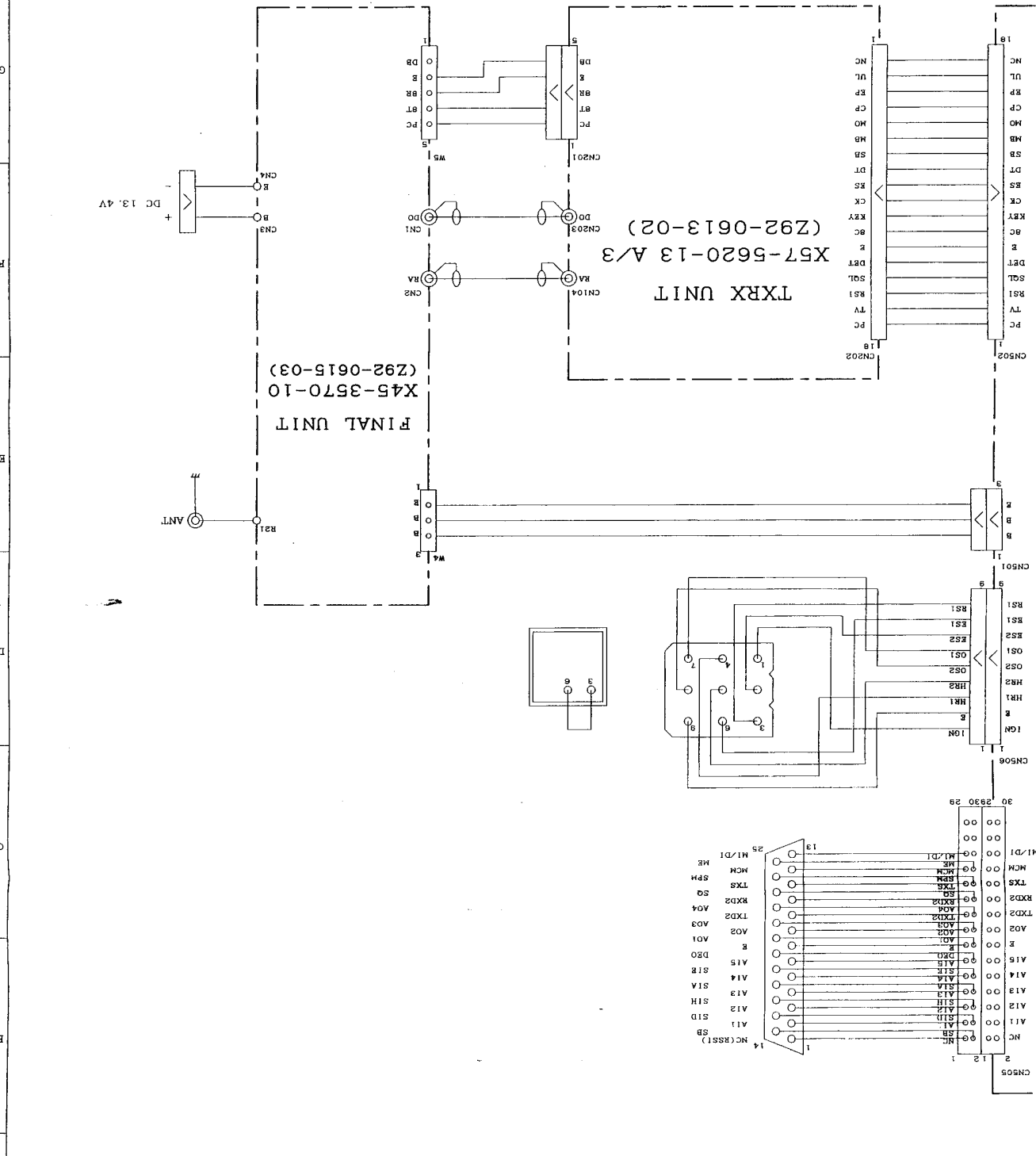


DESIGNED 05/JUN/1998 T. SAITO	DRAWN 24/JUN/1998 Y. MATUI	CHECKED 24/JUN/1998 T. SAITOU	APPROVED 29/JUN/1998 K. HIKICHI	PARTS NAME TK-790/TK-890 KCH-10 総配線図 INTERCONNECT DIAGRAM
PARTS NUMBER				



X57-5620-1
(Z92-0668)

USE FOR	SYMBOL	REVISION NO	CODE	ISSUED	DATE
Y51-4520-10	▽X				19
	▽X				19
	▽X				19
	▽X				19
	▽X				19
	▽X				19
	▽X				19
	▽X				19
	▽X				19
	▽X				19



DESIGNED	T. SAITO	05/JUN/1998
DRAWN	Y. MATUI	24/JUN/1998
CHECKED	T. SAITOU	24/JUN/1998
APPROVED	K. HIKICHI	29/JUN/1998

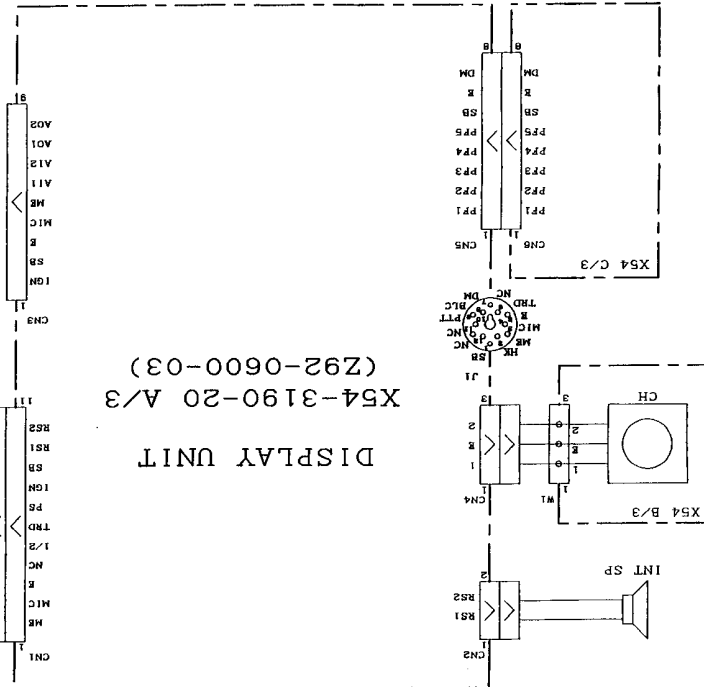
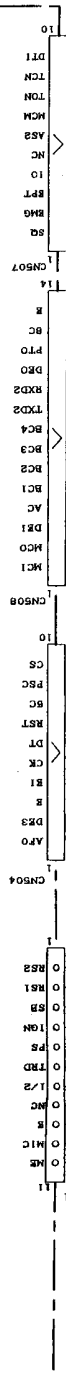
PARTS NAME: 松島電機 (Matsushima Denki) TK-890H(B)

INTERCONNECT DIAGRAM

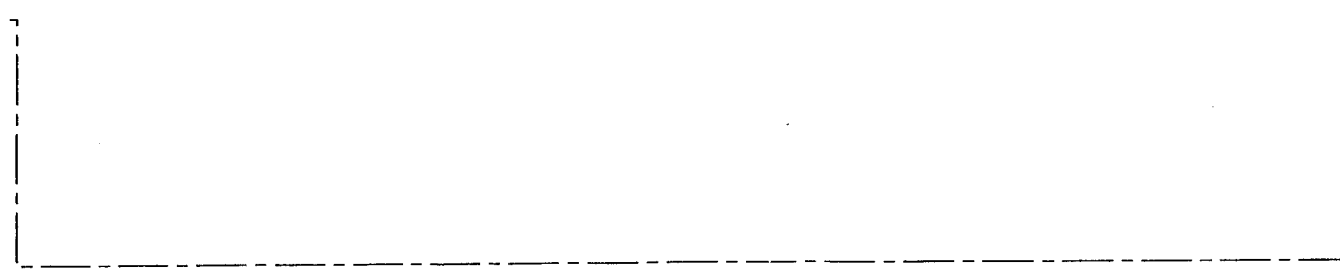
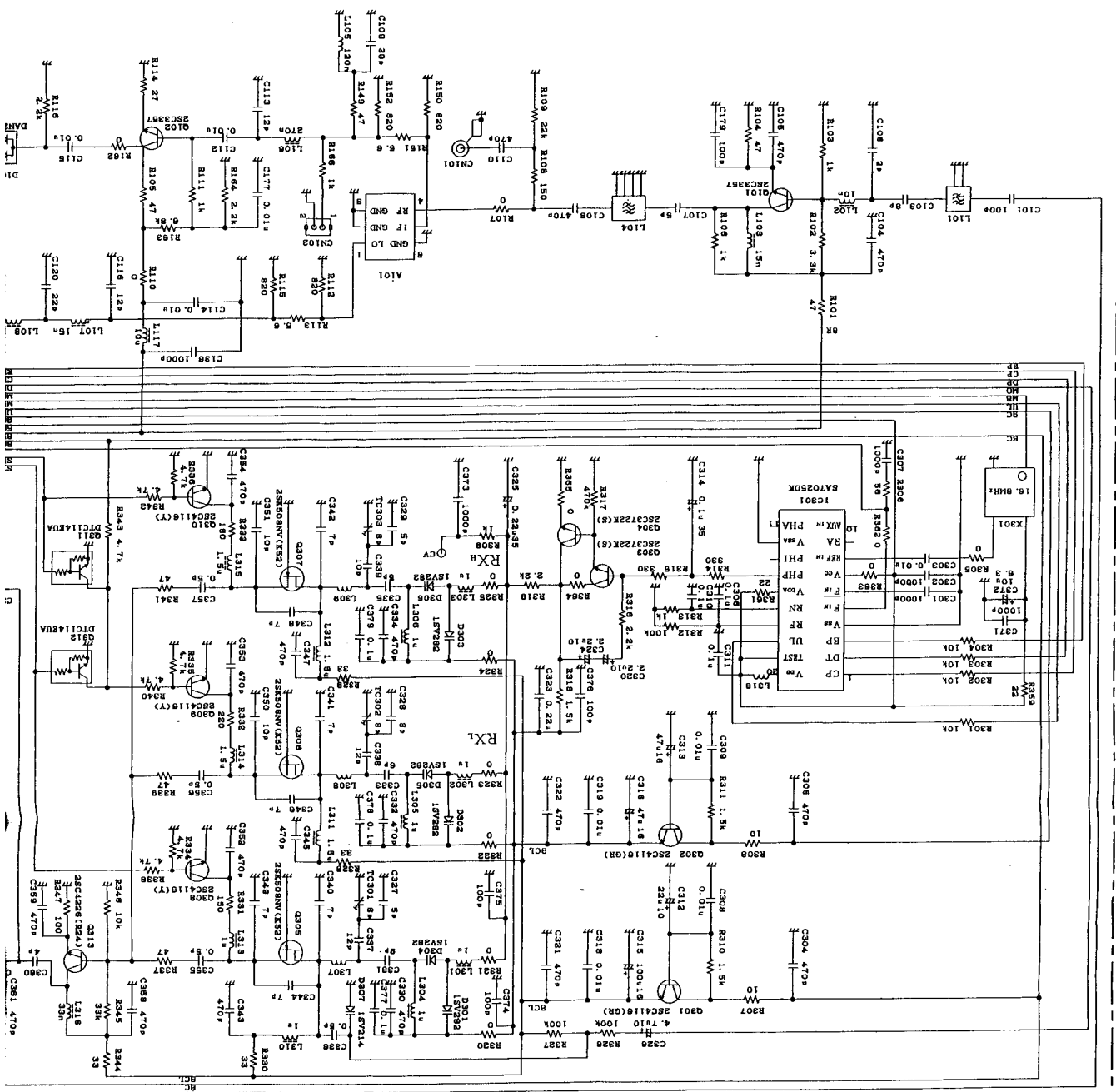
PARTS NUMBER: Z83-3054-02 1/1 01

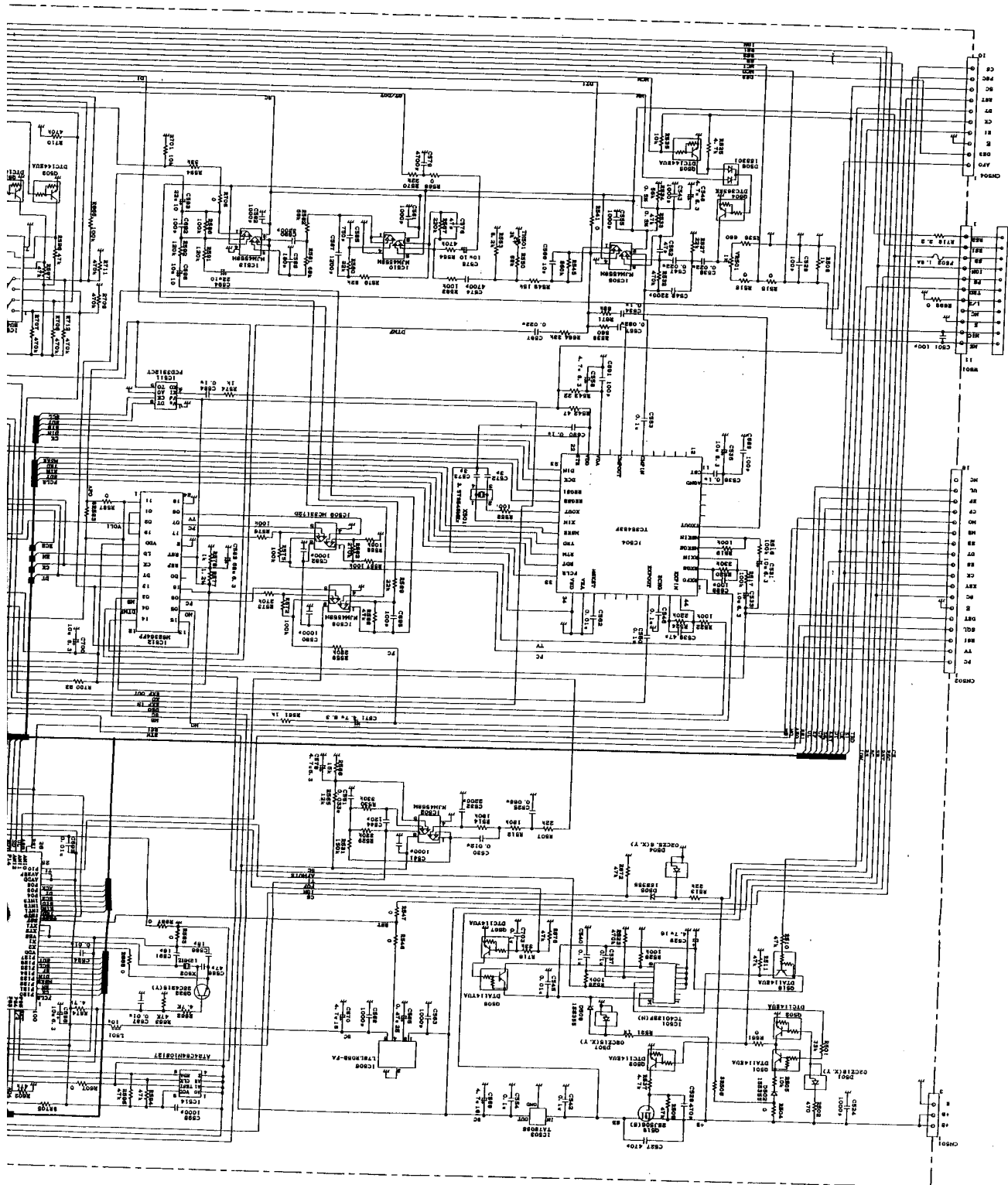
KENWOOD CORPORATION

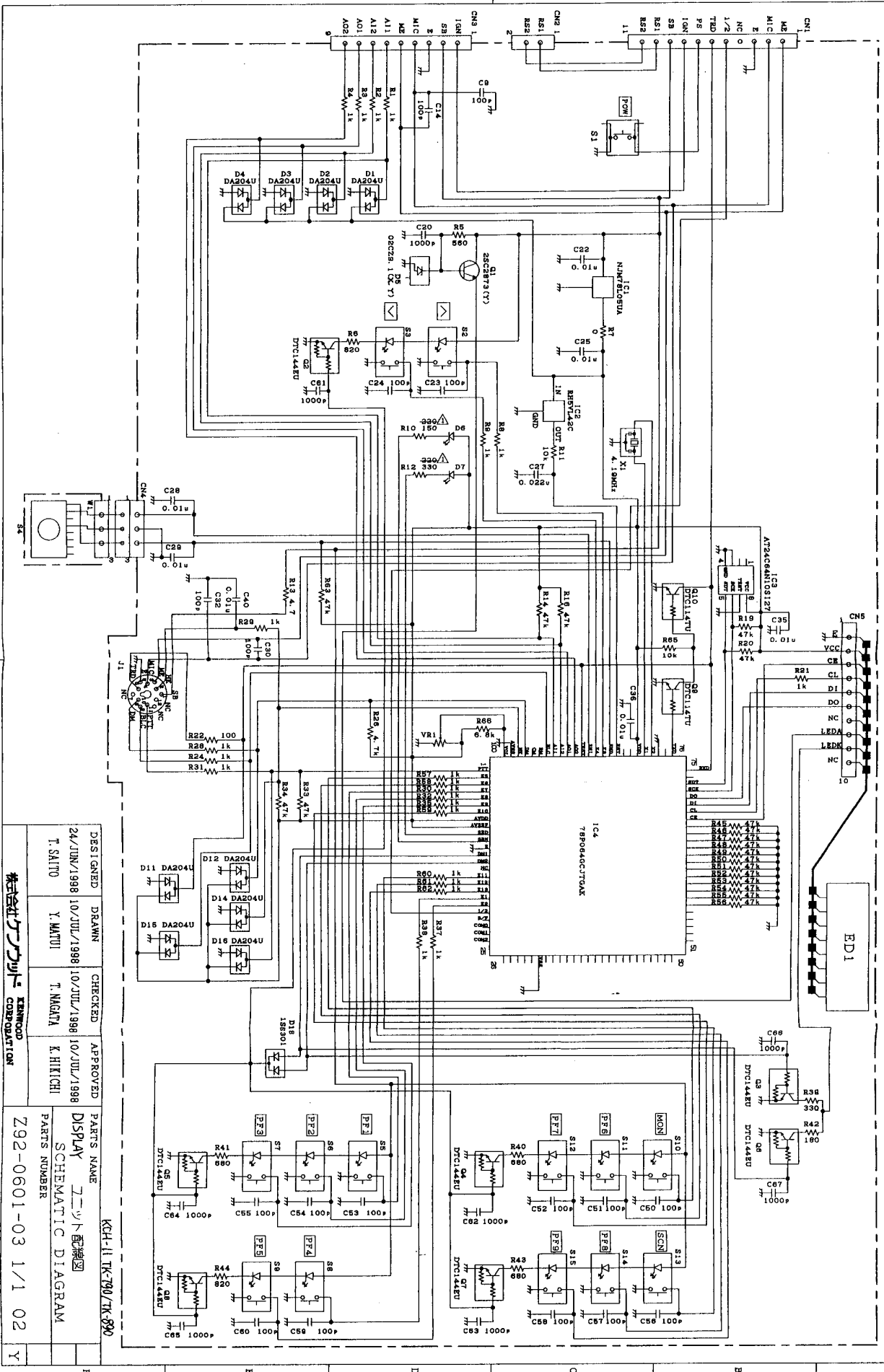
	0-10
M68769H	
IC1	



X57-562*-** B/3
 (Z92-0668-01)







DESIGNED	24/JUN/1998	DRAWN	10/JUL/1998	CHECKED	10/JUL/1998	APPROVED	10/JUL/1998	PARTS NAME	DISPLAY
	T. SAITO		Y. MATUI		T. MAGATA		K. HIKICHI		ユニット配線図
SCHEMATIC DIAGRAM									
PARTS NUMBER									
Z92-0601-03 1/1 02									
KCH-11 TK-790/TK-890									
TEKNOOD CORPORATION									

19	AX	19	AX
19	AX	19	AX
19	AX	19	AX

