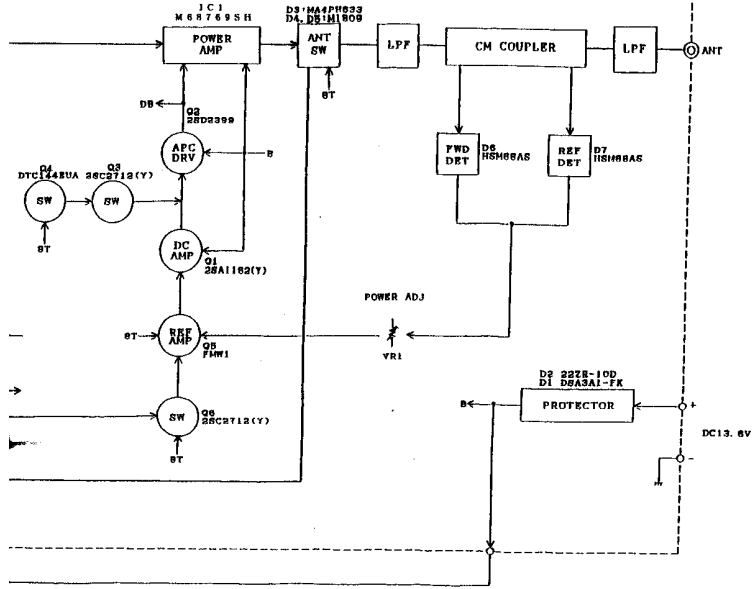
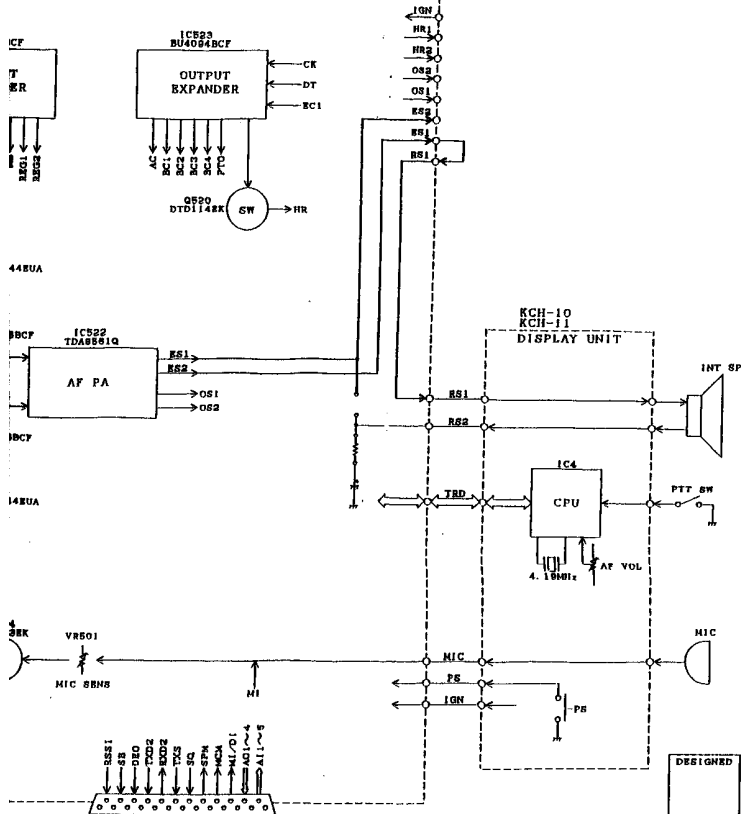


FINAL UNIT(X57-562*-**) C/3



USE FOR	SYMBOL	REVISION NO	CODE	ISSUED	DATE
	△ X				19 -- --
	△ X				19 -- --
	△ X				19 -- --
	△ X				19 -- --
	△ X				19 -- --
	△ X				19 -- --
	△ X				19 -- --
	△ X				19 -- --
	△ X				19 -- --
	△ X				19 -- --

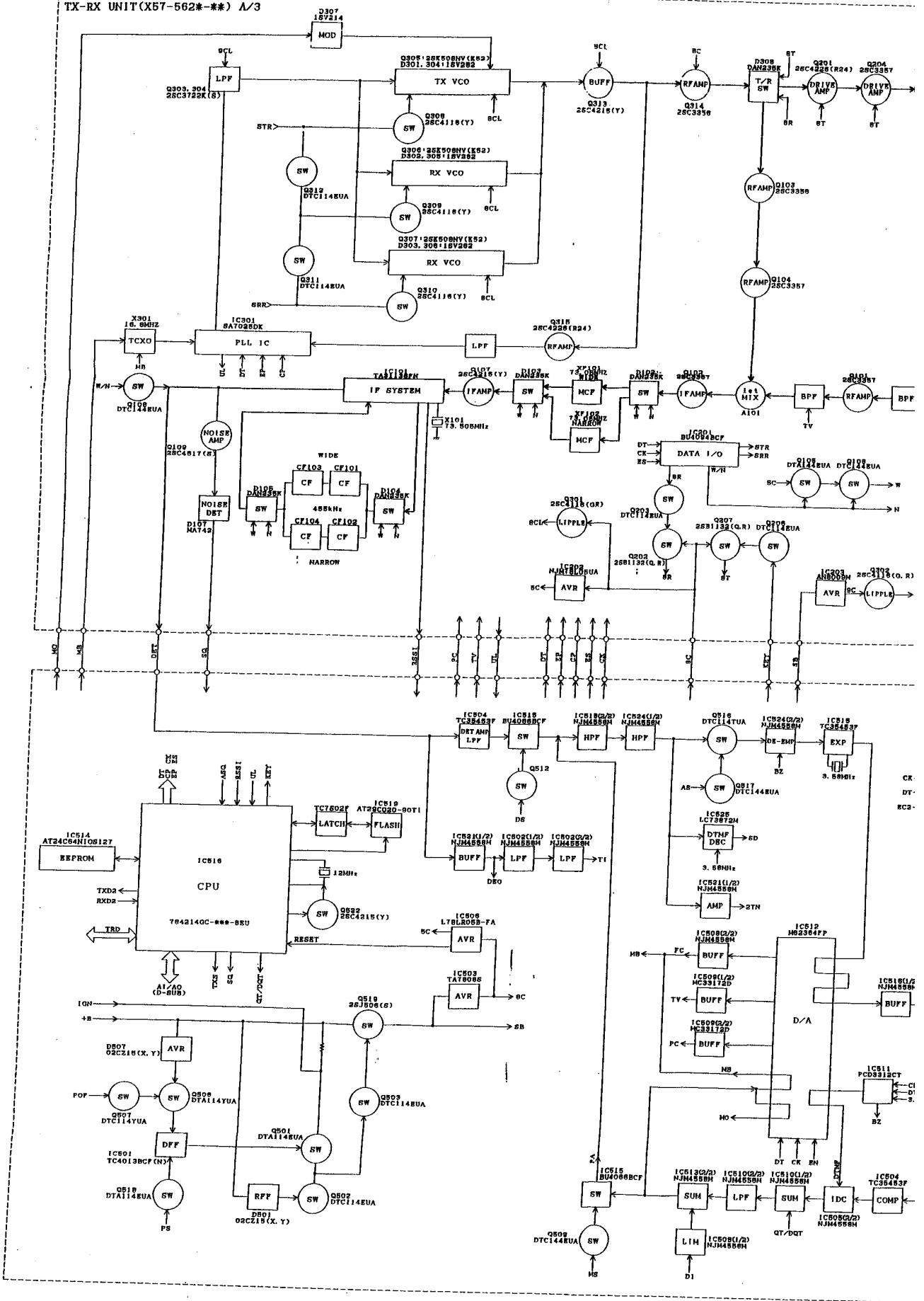
CONTROL UNIT(X57-562*-**) B/3



DESIGNED	DRAWN	CHECKED	APPROVED	PARTS NAME
				BLOCK DIAGRAM
				PARTS NUMBER
				TK-890

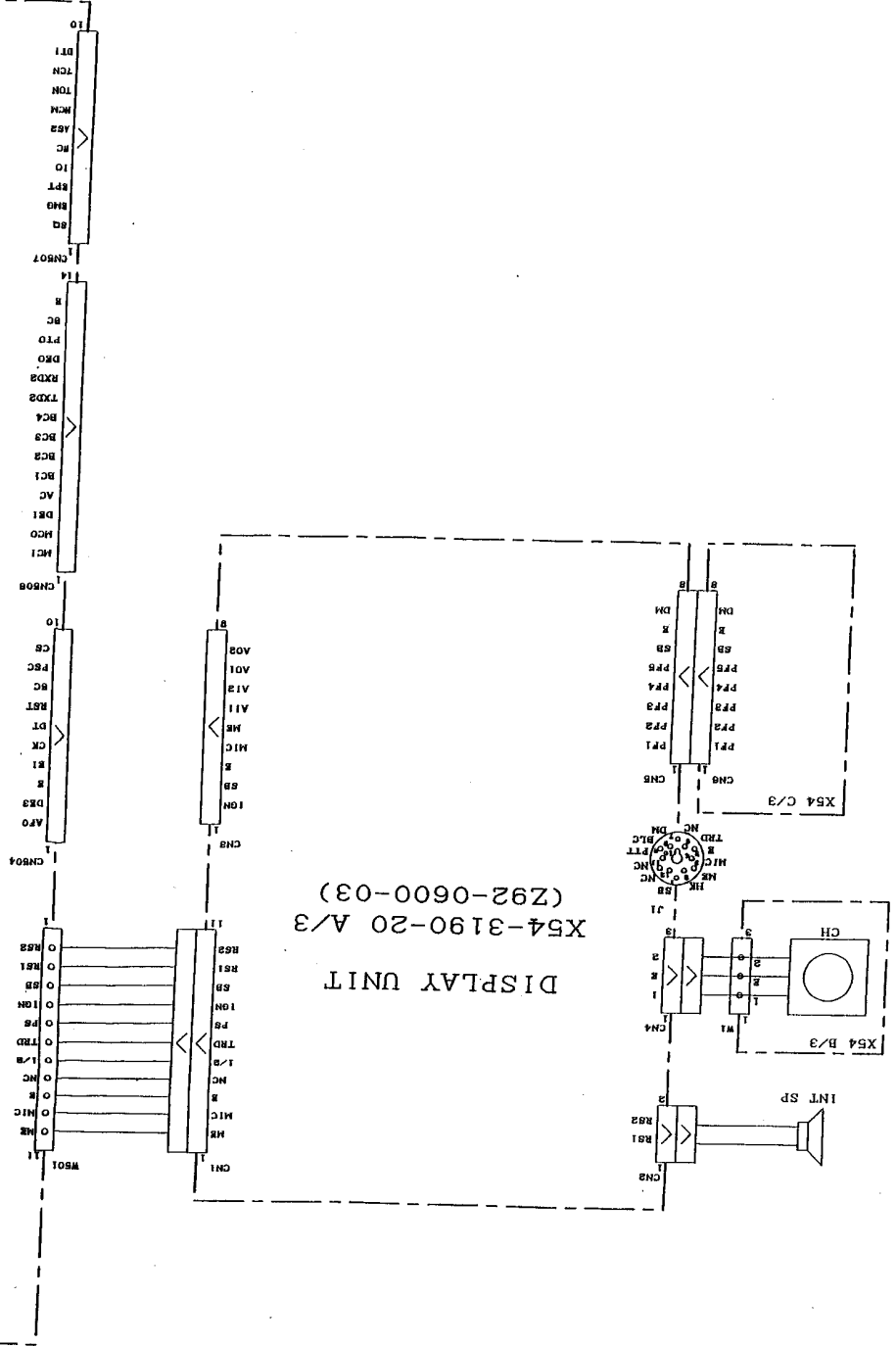
株式会社ケンウッド KENWOOD CORPORATION

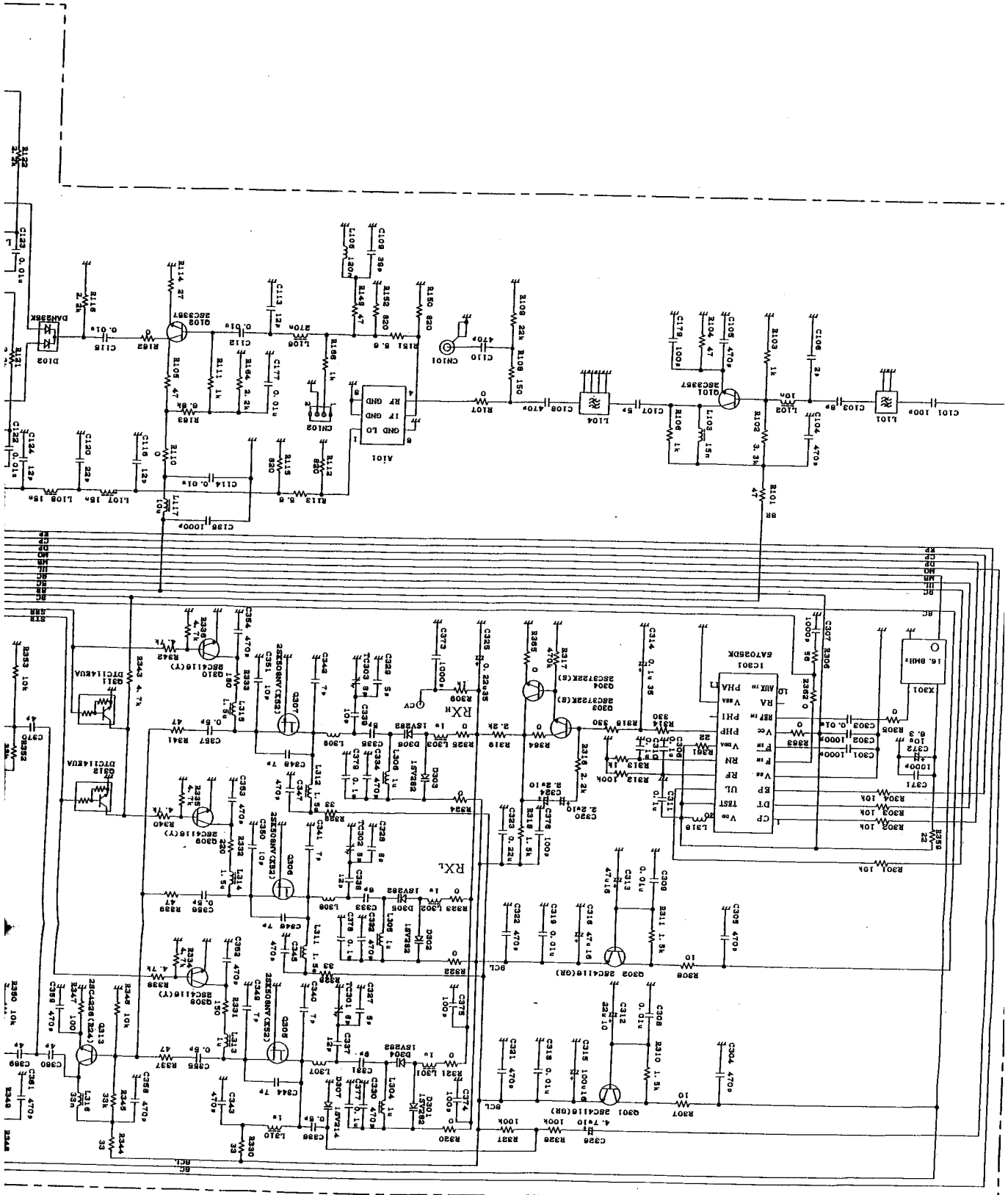
TX-RX UNIT(X57-562*-**) A/3



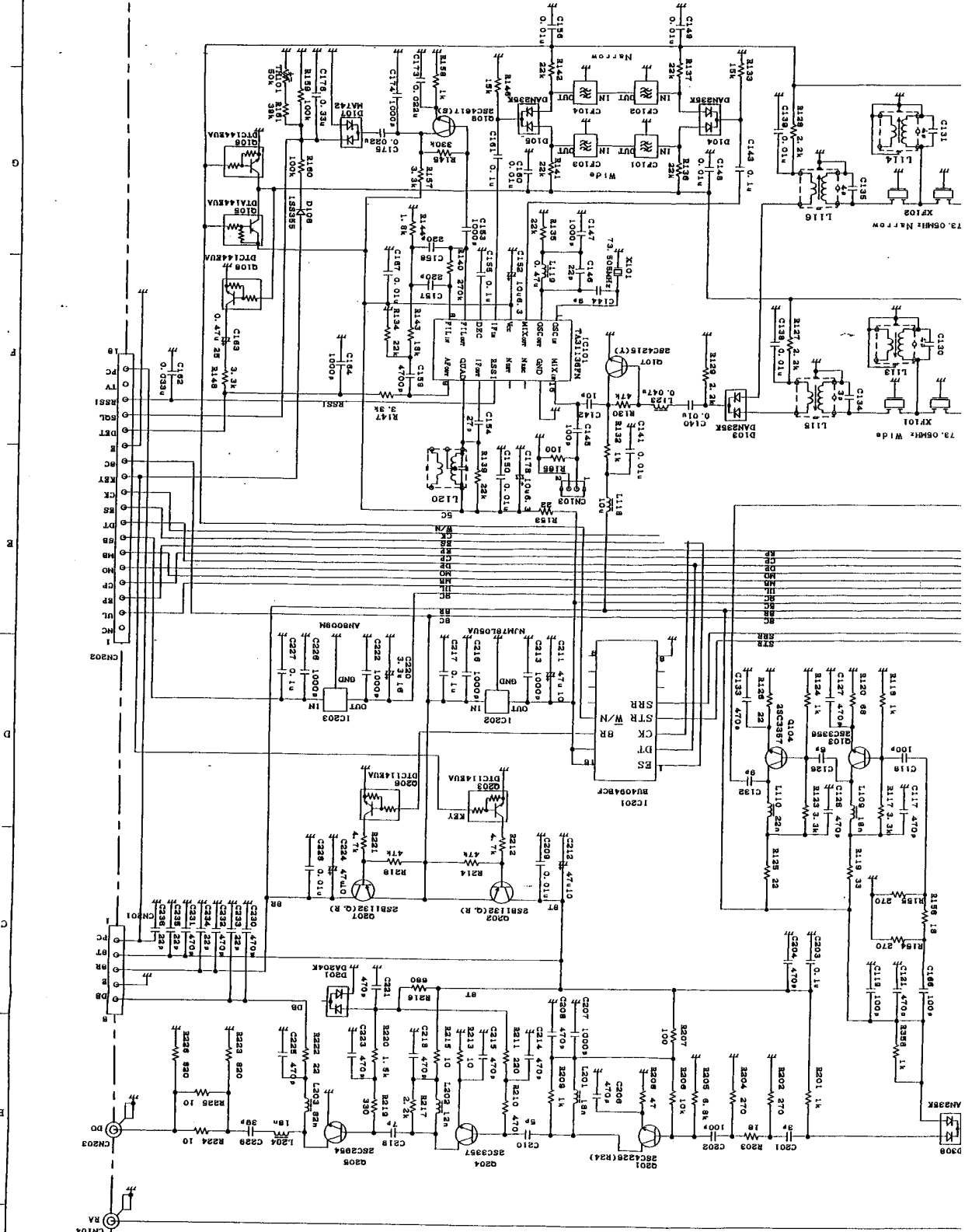
X57-562*-** B/3
(Z92-0668-01)

DISPLAY UNIT
(Z92-0600-03)
X54-3190-20 A/3





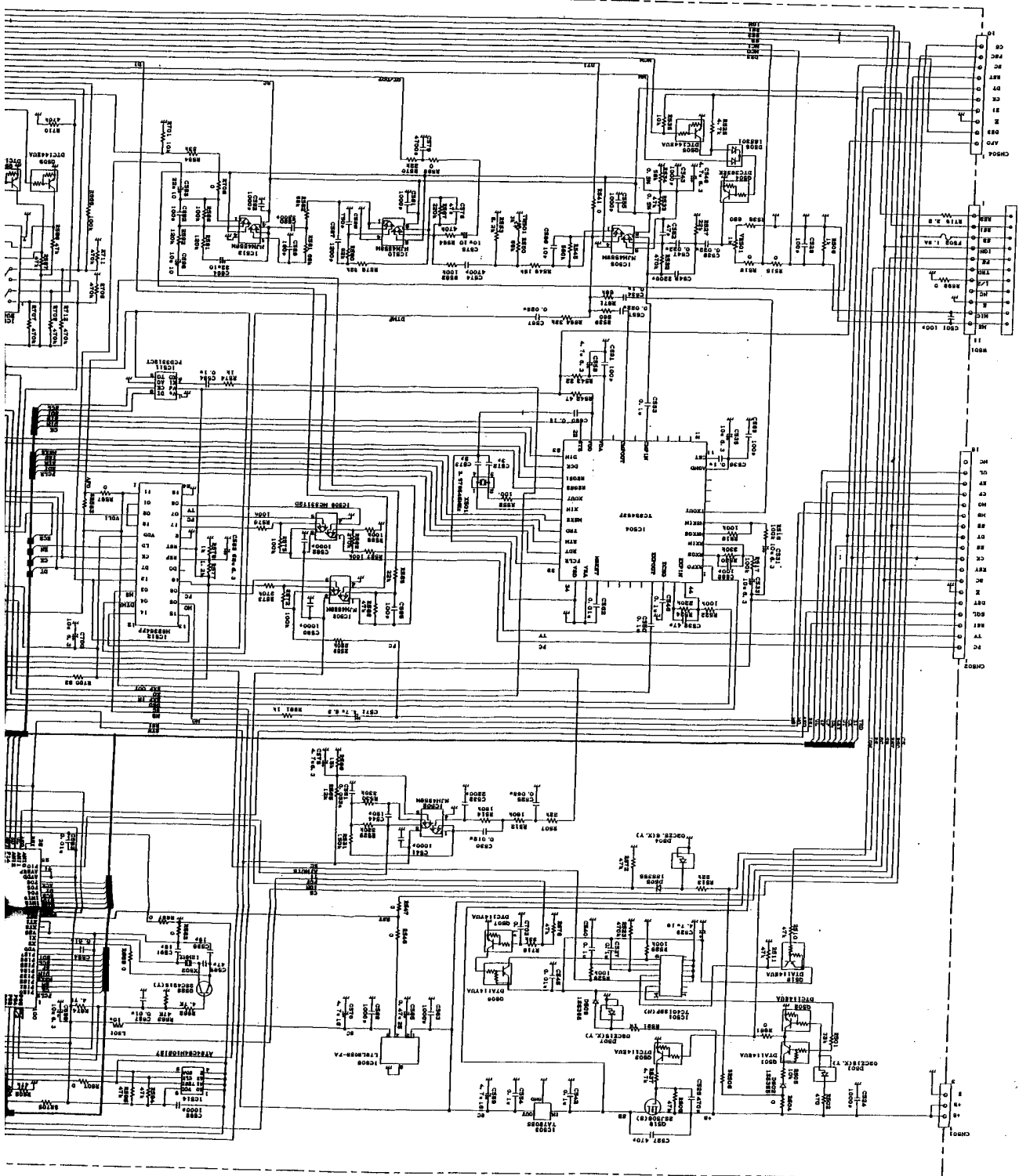
DATE	ISSUED	CODE	REVISION NO	SYMBOL	USE FOR
19	-	-	-	X	X57-562*-*
19	-	-	-	X	-
19	-	-	-	X	-
19	-	-	-	X	-
19	-	-	-	X	-
19	-	-	-	X	-
19	-	-	-	X	-
19	-	-	-	X	-
19	-	-	-	X	-
19	-	-	-	X	-



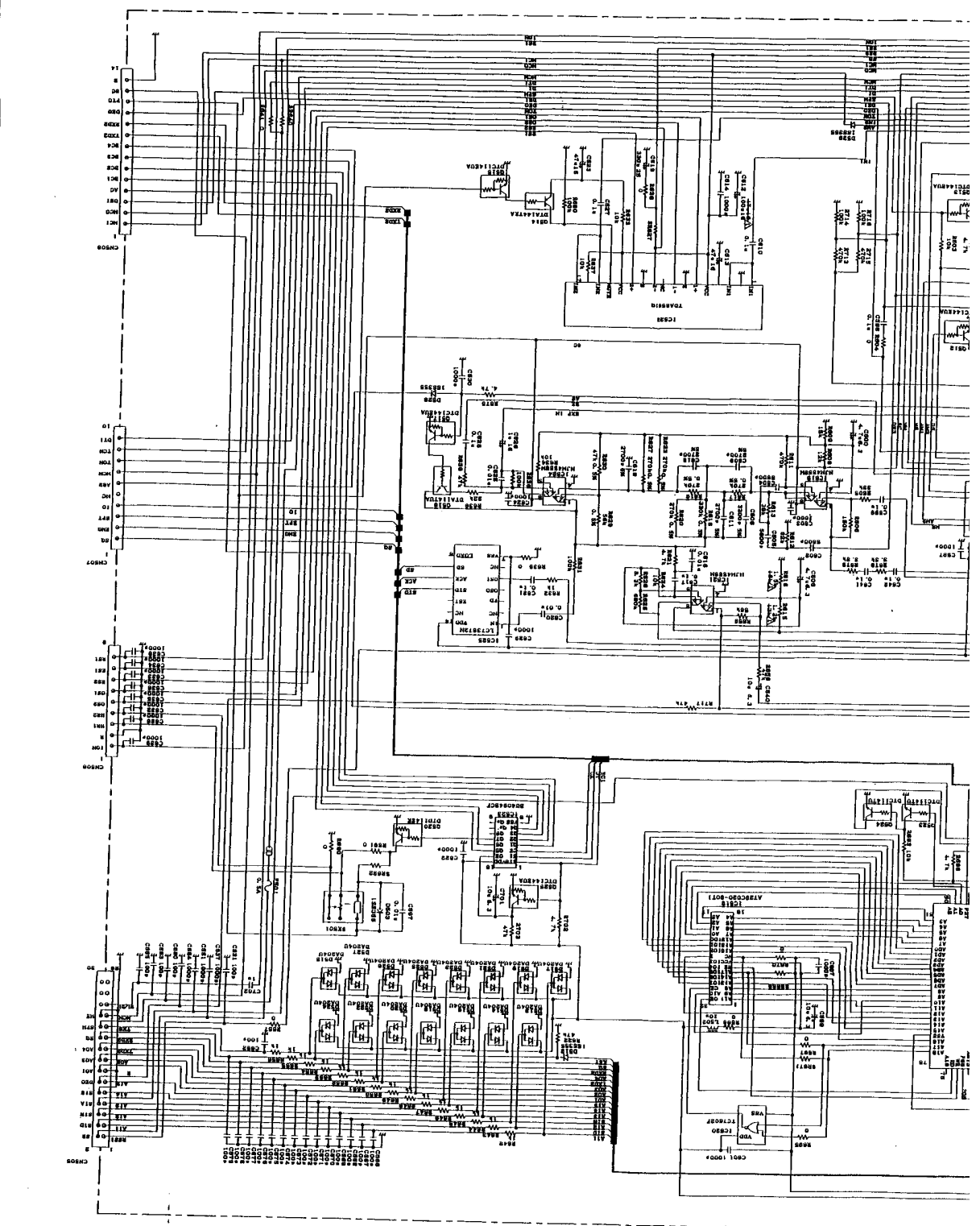
DESIGNED S. IGARASHI 24/JUN/1998
 DRAWN Y. MATSU 26/JUN/1998
 CHECKED T. MAGATA 29/JUN/1998
 APPROVED K. HIKICHI
 PARTS NAME TX-RX
 SCHEMATIC DIAGRAM EX-2294
 PARTS NUMBER
 Z92-0613-02 1/1 01

KENWOOD CORPORATION
 株式会社 健伍株式会社

TK-890

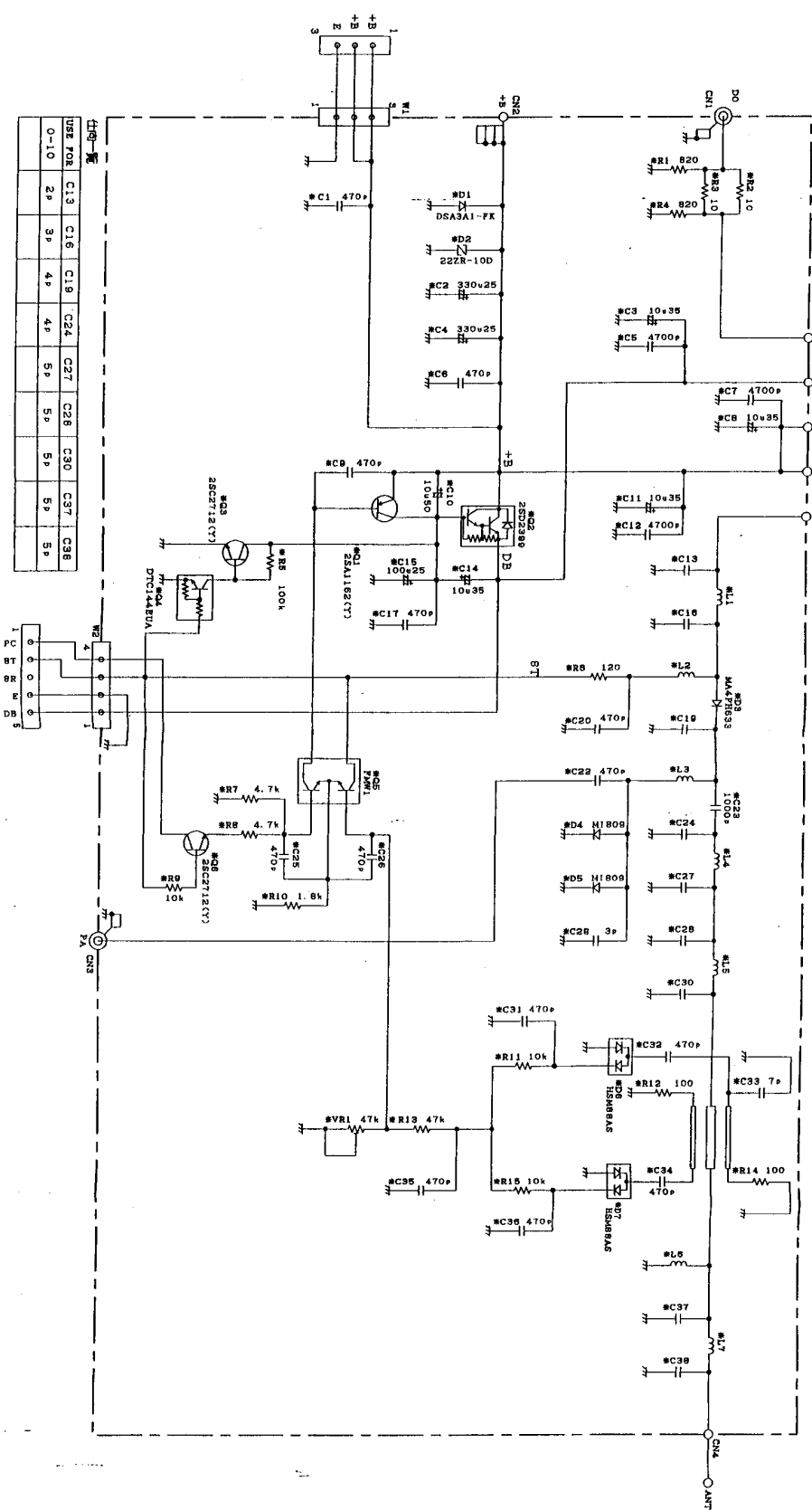


DESIGNED	T. SAITO	10/JUL/1988	10/JUL/1988	10/JUL/1988	10/JUL/1988	10/JUL/1988	10/JUL/1988
DRAWN	T. MATSU	10/JUL/1988	10/JUL/1988	10/JUL/1988	10/JUL/1988	10/JUL/1988	10/JUL/1988
CHECKED	T. MATSU	10/JUL/1988	10/JUL/1988	10/JUL/1988	10/JUL/1988	10/JUL/1988	10/JUL/1988
APPROVED	K. HIRAKI	10/JUL/1988	10/JUL/1988	10/JUL/1988	10/JUL/1988	10/JUL/1988	10/JUL/1988
CONTROL UNIT (EX-2284)							
PARTS NAME							
PARTS NUMBER							
SCHEMATIC DIAGRAM							
292-0668-01 1/1 02							



14	USE FOR	SYMBOL	REVISION NO	CODE	ISSUED	DATE
13	X51-9628-88	X 3	28818	MATSUI	1988-07-08	
12		X				
11		X				
10		X				
9		X				
8		X				
7		X				
6		X				
5		X				
4		X				
3		X				
2		X				
1		X				

POWER MODULE

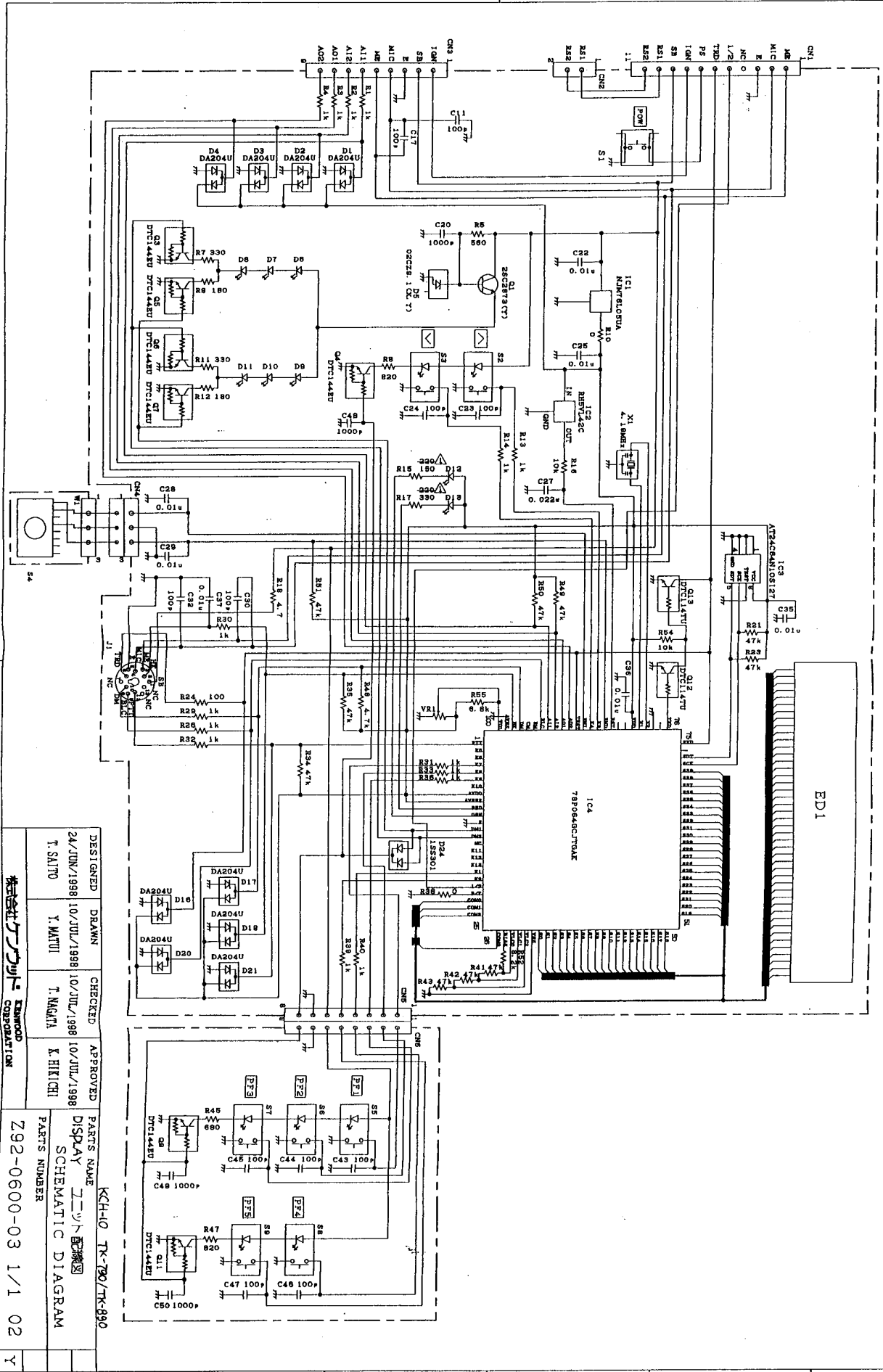


USE FOR	C13	C16	C18	C24	C27	C28	C30	C37	C38
0-10	2p	3p	4p	4p	5p	5p	5p	5p	5p

X	X	X	X	X
X	X	X	X	X
X	X	X	X	X
X	X	X	X	X

DESIGNED 24/JUN/1998 S. IGARASHI	DRAWN 26/JUN/1998 Y. MATSU	CHECKED 29/JUN/1998 T. MATSU	APPROVED 29/JUN/1998 K. HIKICHI
TR-RX FINAL TK-890 SCHEMATIC DIAGRAM PARTS NUMBER Z92-0614-03 1/1 01		富士通 FUJITSU CORPORATION	

REV. NO.	DESCRIPTION	DATE
X54-3190-20	AX 2	1988-07-09
29816	AX	19 -- --
	AX	19 -- --
	AX	19 -- --
	AX	19 -- --



DESIGNED	DRAWN	CHECKED	APPROVED	PARTS NAME
24/JUN/1998	10/JUL/1998	10/JUL/1998	10/JUL/1998	ディスプレイ 回路図
T. SAITO	Y. MATSU	T. MAEDA	K. HIKICHI	SCHEMATIC DIAGRAM

KH-10 TK-790/TK-890
 PARTS NUMBER
 Z92-0600-03 1/1 02

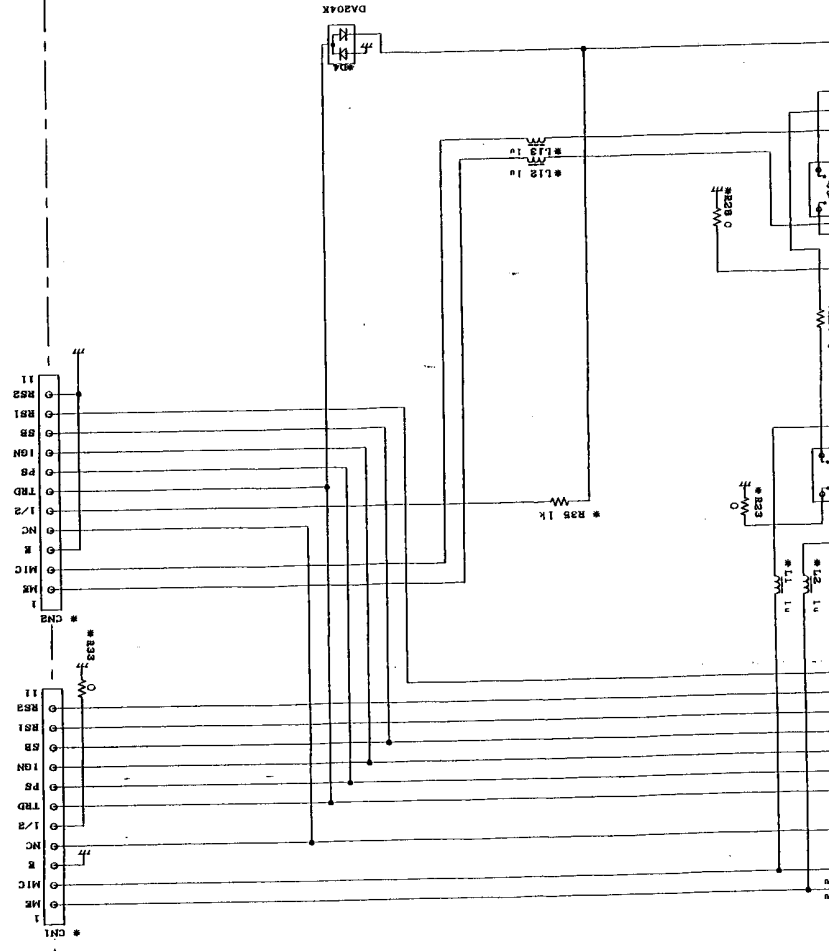
node: scad6 director: /users/sch/work/55236 page: X5431900

DESIGNED	29/MAY/1998	A. KITAHASHI
DRAWN	26/JUN/1998	Y. MATUI
CHECKED	29/JUN/1998	T. NAGATA
APPROVED	29/JUN/1998	K. HIKICHI
PARTS NAME 工機部		
SCHEMATIC DIAGRAM		
PARTS NUMBER KRK-5/KRK-6DH		
792-0602-02 1/1 01		

KENWOOD CORPORATION

TK-290 / TK-090

TO CONTROL HEAD1 TO CONTROL HEAD2



USE FOR	SYMBOL	REVISION NO	CODE	ISSUED	DATE
X46-324*-**	△				19
	△				19
	△				19
	△				19
	△				19
	△				19
	△				19
	△				19
	△				19
	△				19

