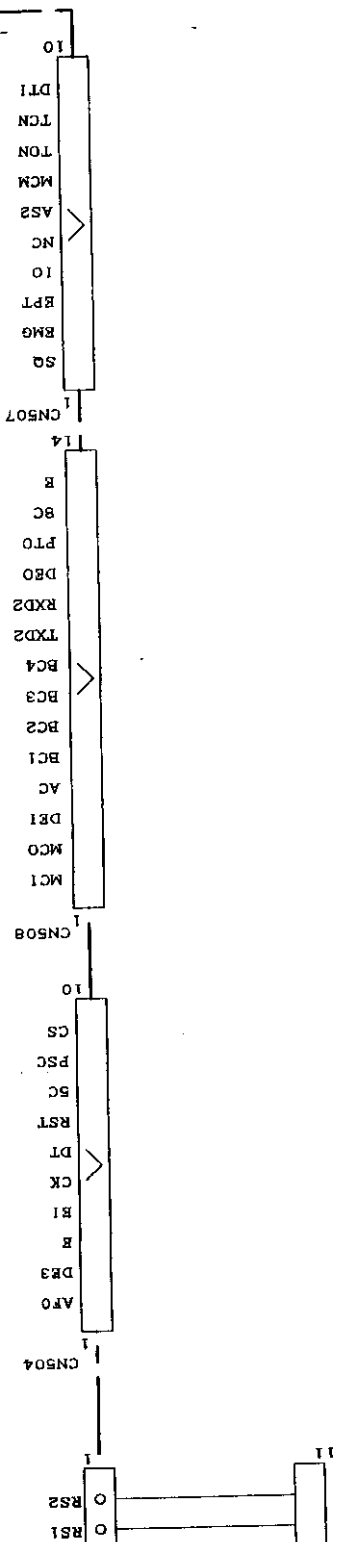
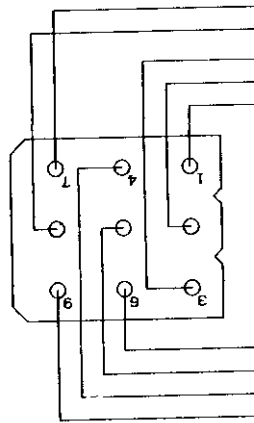
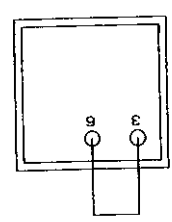
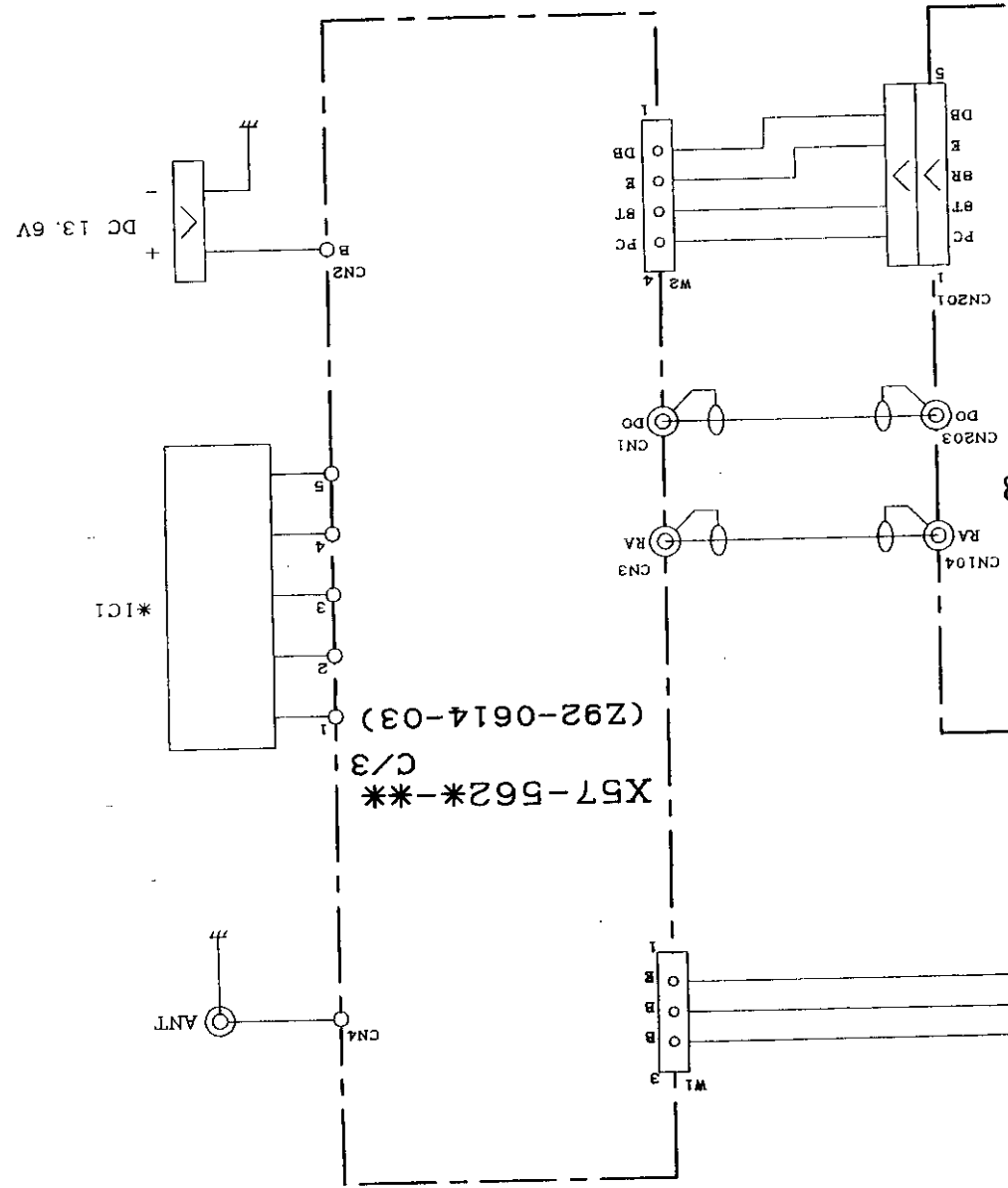


X57-562*-*(Z92-0668-



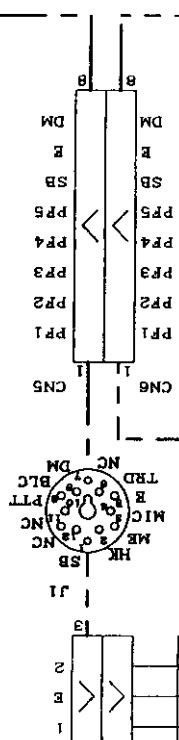
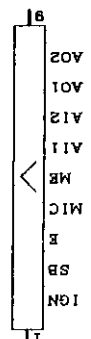
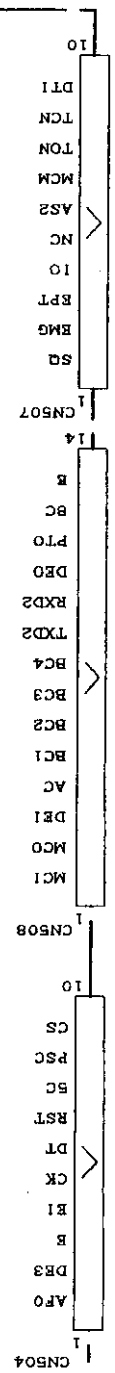
M68769H	0-10
IC1	

Y	KENWOOD 株式会社 KENWOOD CORPORATION			
	Z83-3053-02 1/1 01	PARTS NUMBER		
H	DESIGNED	T. SAITO	05/JUN/1998	PARTS NAME 無線機 TK-890(B)
	DRAWN	Y. MATUI	24/JUN/1998	
	CHECKED	T. SAITOU	24/JUN/1998	INTERCONNECT DIAGRAM
	APPROVED	K. HIKICHI	29/JUN/1998	



G
F
E
D

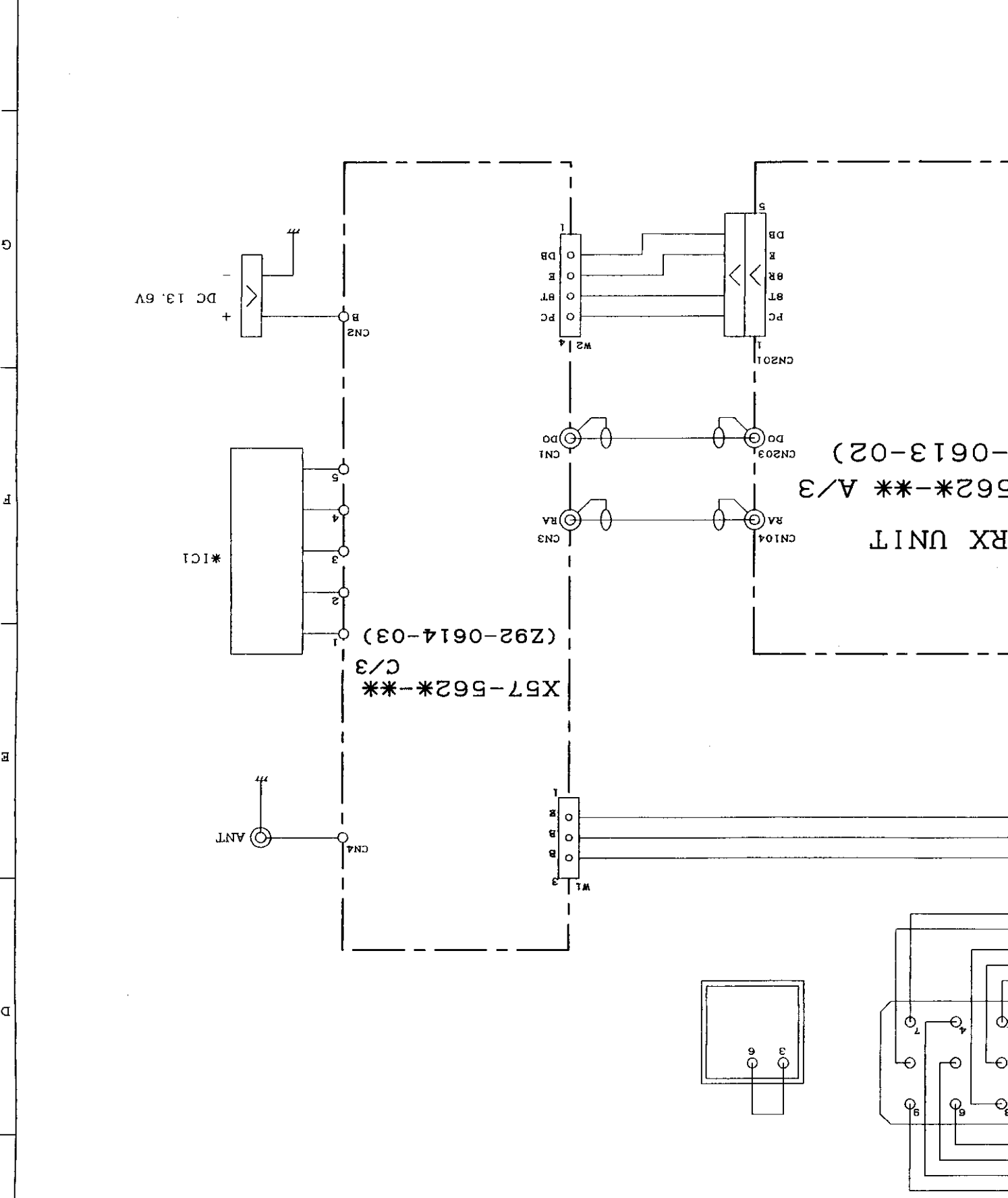
M68769H	0-10
IC1	



DISPLAY UNIT
 X54-3190-20 A/3
 (Z92-0600-03)

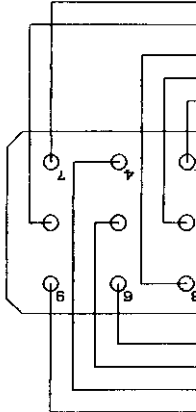
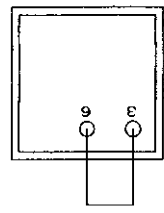
X57-562*-*
 (Z92-0668-01)

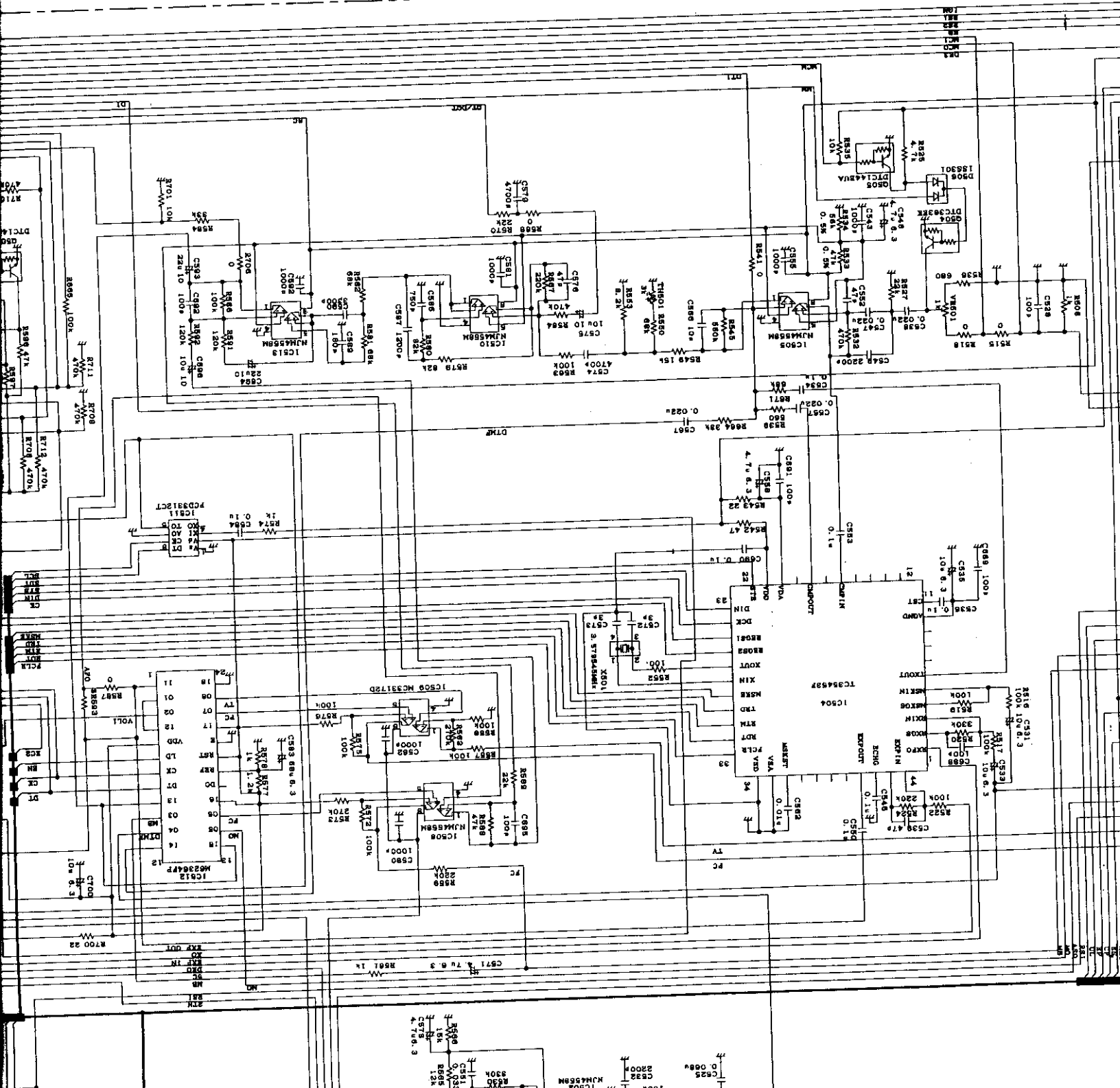
Y	Z83-3052-02 1/1 01			
	PARTS NUMBER			
H	INTERCONNECT DIAGRAM			
	PARTS NAME			
	DESIGNED	DRAWN	CHECKED	APPROVED
	05/JUN/1998	25/JUN/1998	25/JUN/1998	29/JUN/1998
	T. SAITO	Y. MATUI	T. SAITOU	K. HIKICHI
	KENWOOD CORPORATION			



RX UNIT
562*-** A/3
(-0613-02)

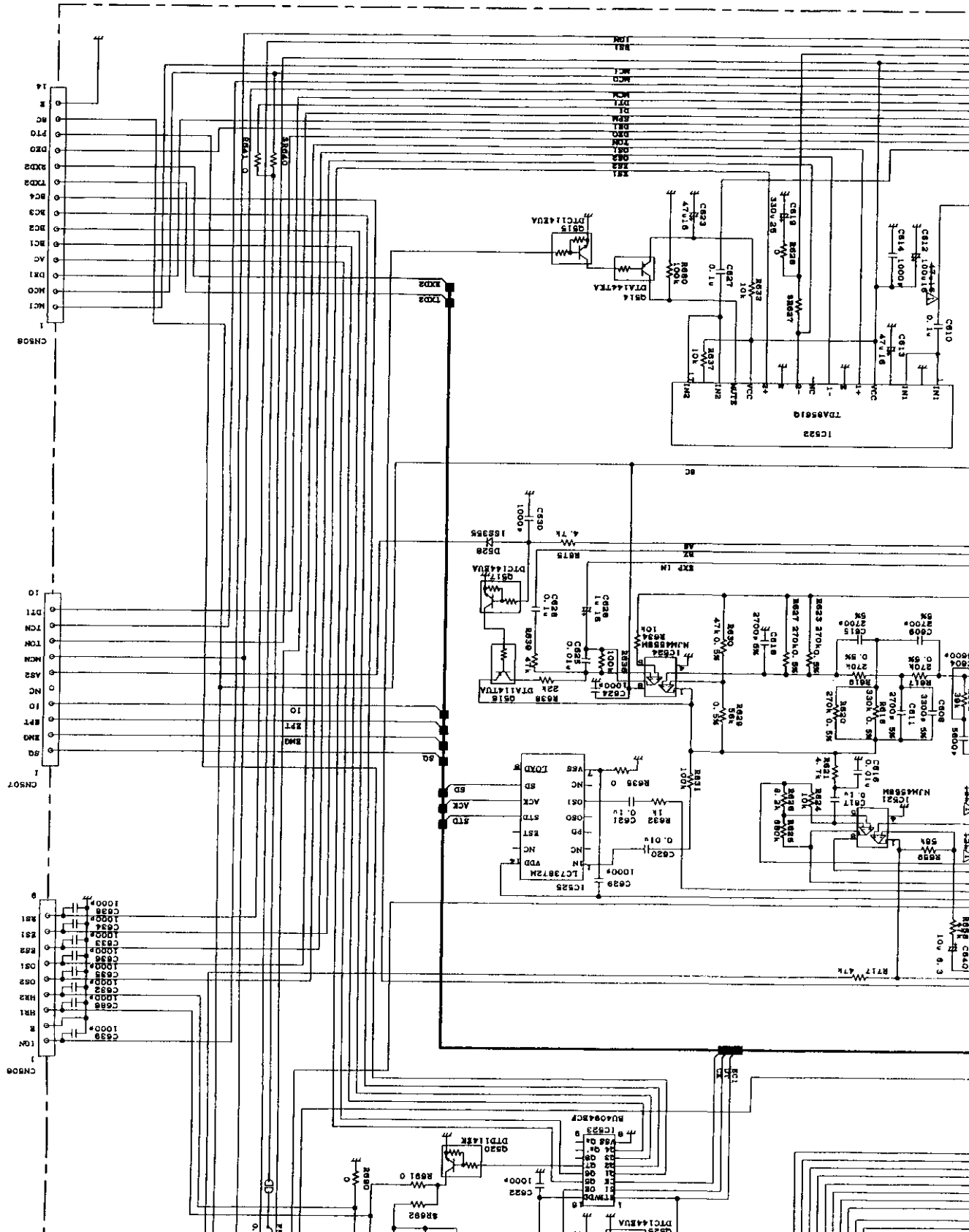
X57-562*-**
C/3
(Z92-0614-03)

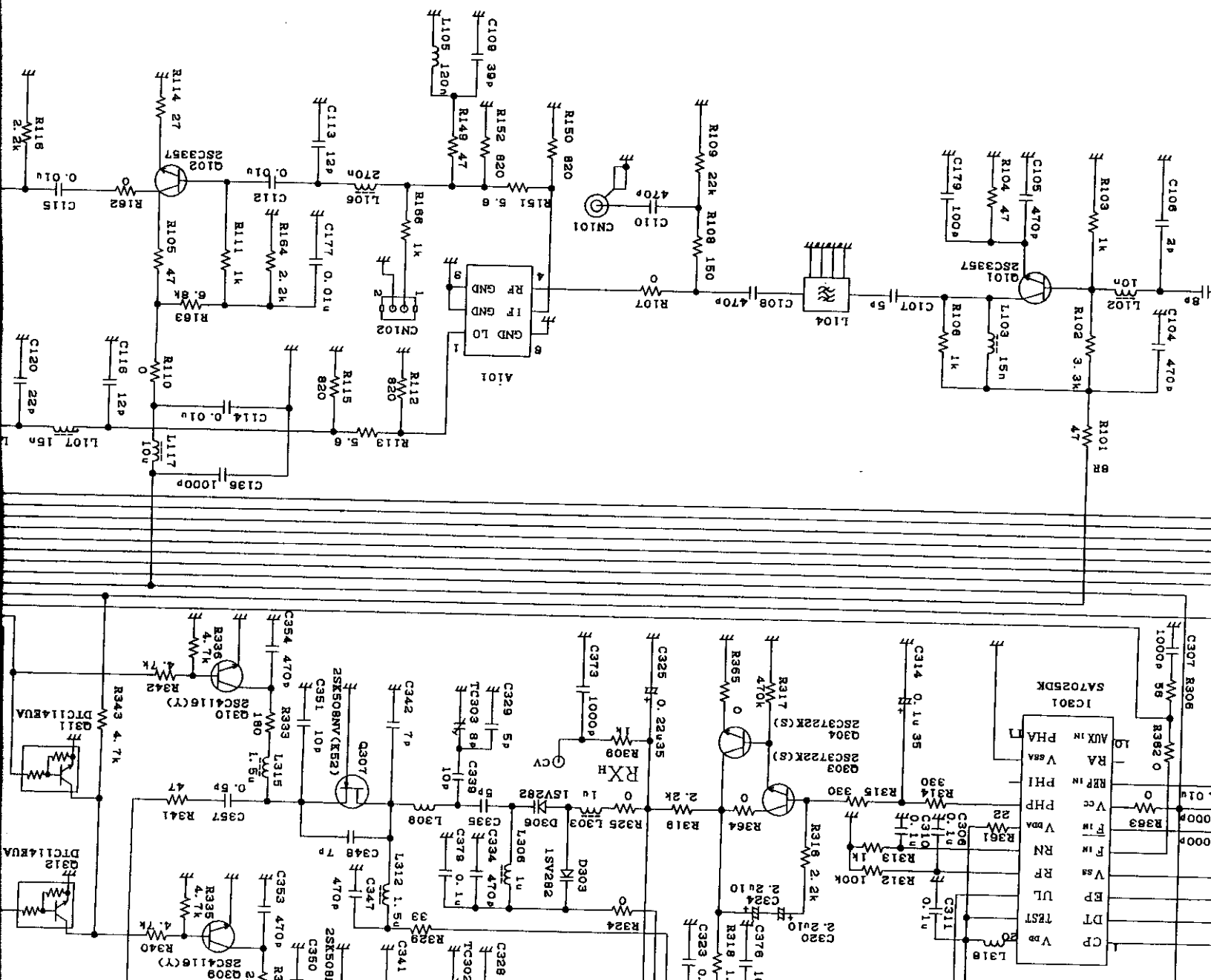




DESIGNED	T. SAITO	24/JUN/1998	10/JUL/1998	10/JUL/1998	APPROVED	PARTS NAME	CONTROL UNIT for TK-890 2ツツ
DRAWN	Y. MATUI	10/JUL/1998	10/JUL/1998	10/JUL/1998	CHECKED	PARTS NUMBER	Z92-0668-01 1/1 02
KENWOOD CORPORATION		SCHEMATIC DIAGRAM					

CONTROL TK-890

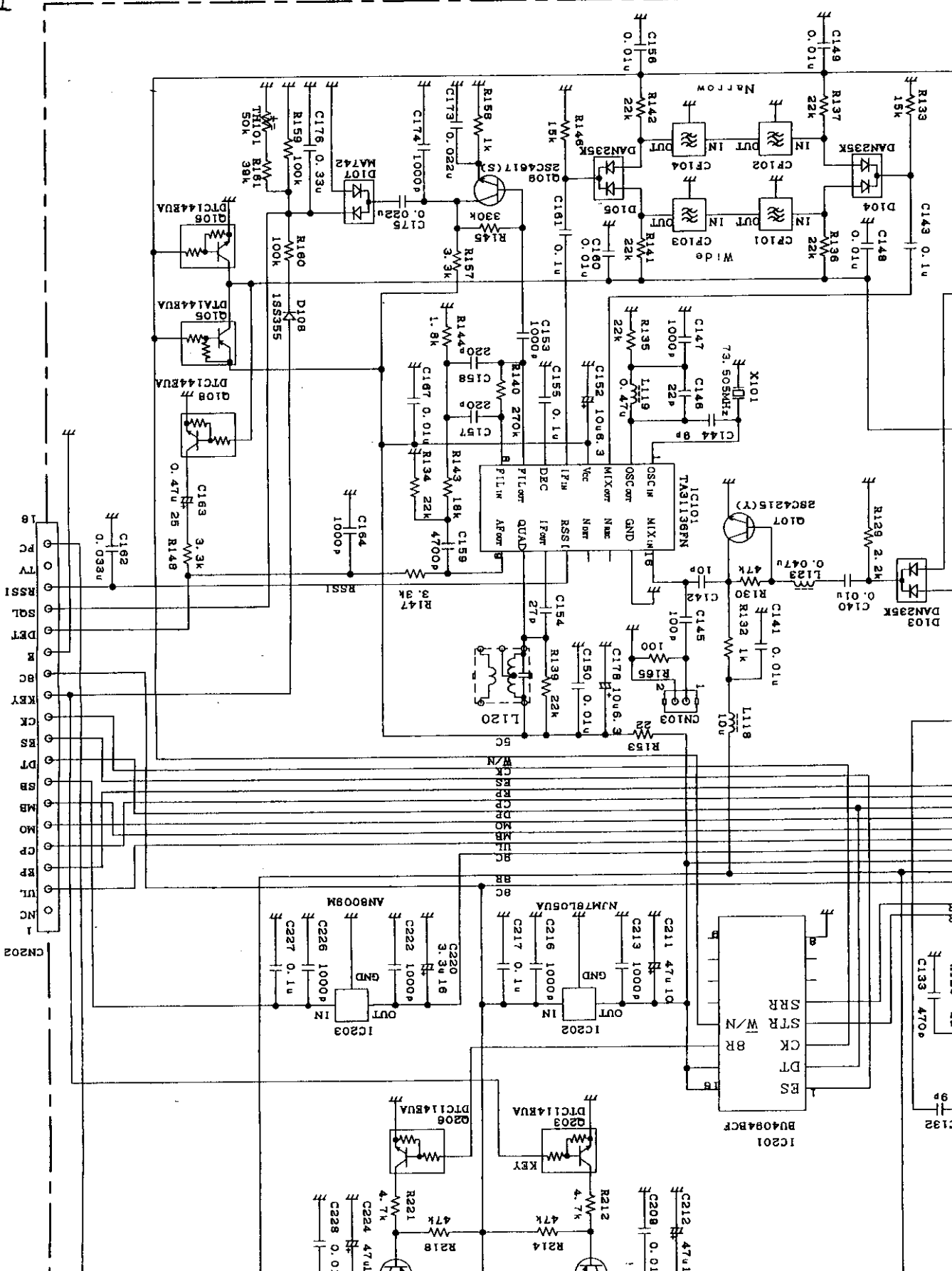




DESIGNED	S. IGARASHI	24/JUN/1988	APPROVED	TX-RX	SCHEMATIC DIAGRAM	PARTS NUMBER	Z92-0613-02 1/1 01
DRAWN	Y. MATUI	26/JUN/1988	CHECKED	T. NAGATA	29/JUN/1988		

株式会社 日立 KENWOOD CORPORATION

TK-890



H

G

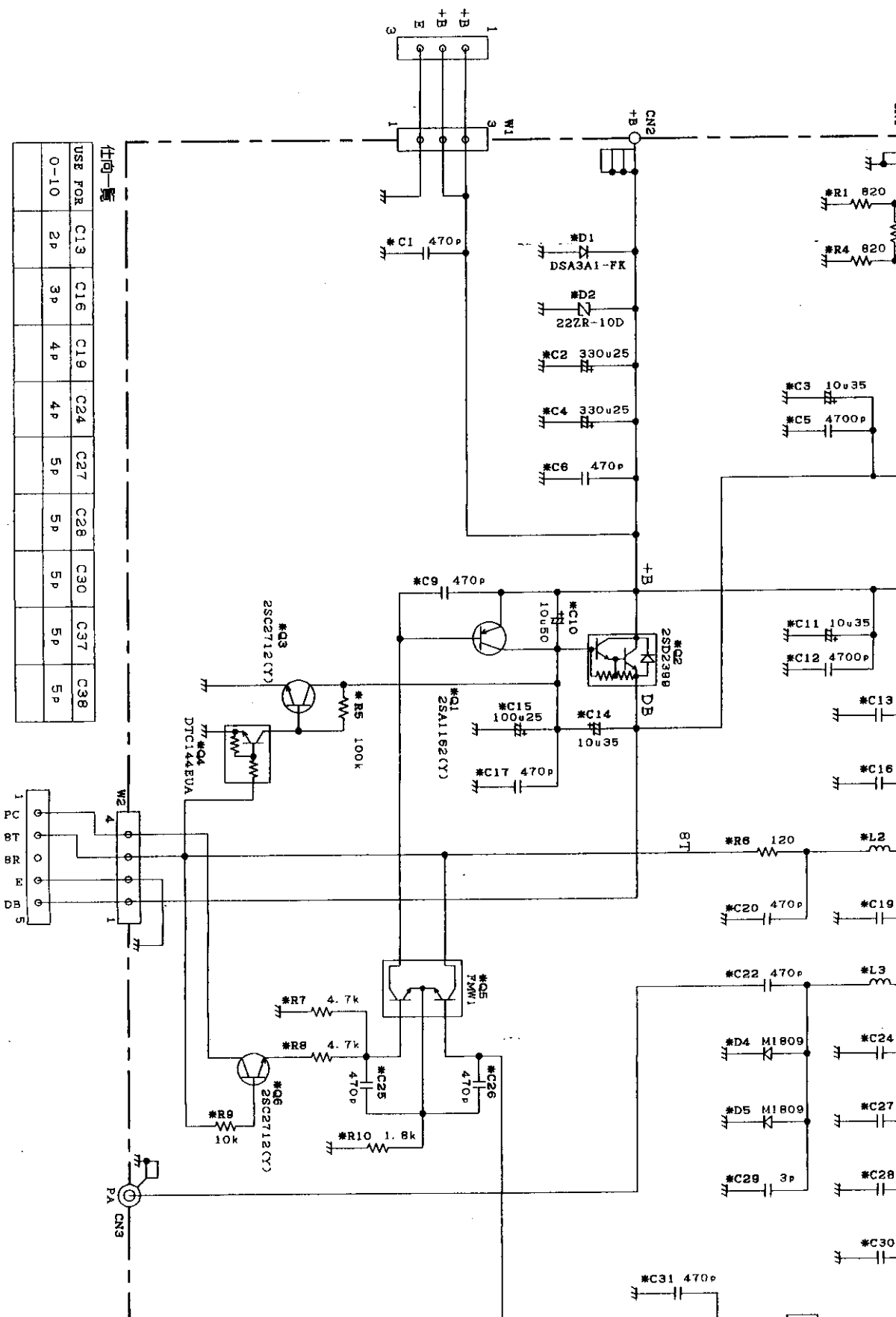
F

E

D

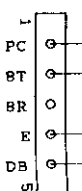
- 18
- 17
- 16
- 15
- 14
- 13
- 12
- 11
- 10
- 9
- 8
- 7
- 6
- 5
- 4
- 3
- 2
- 1

CN202



仕向一覧

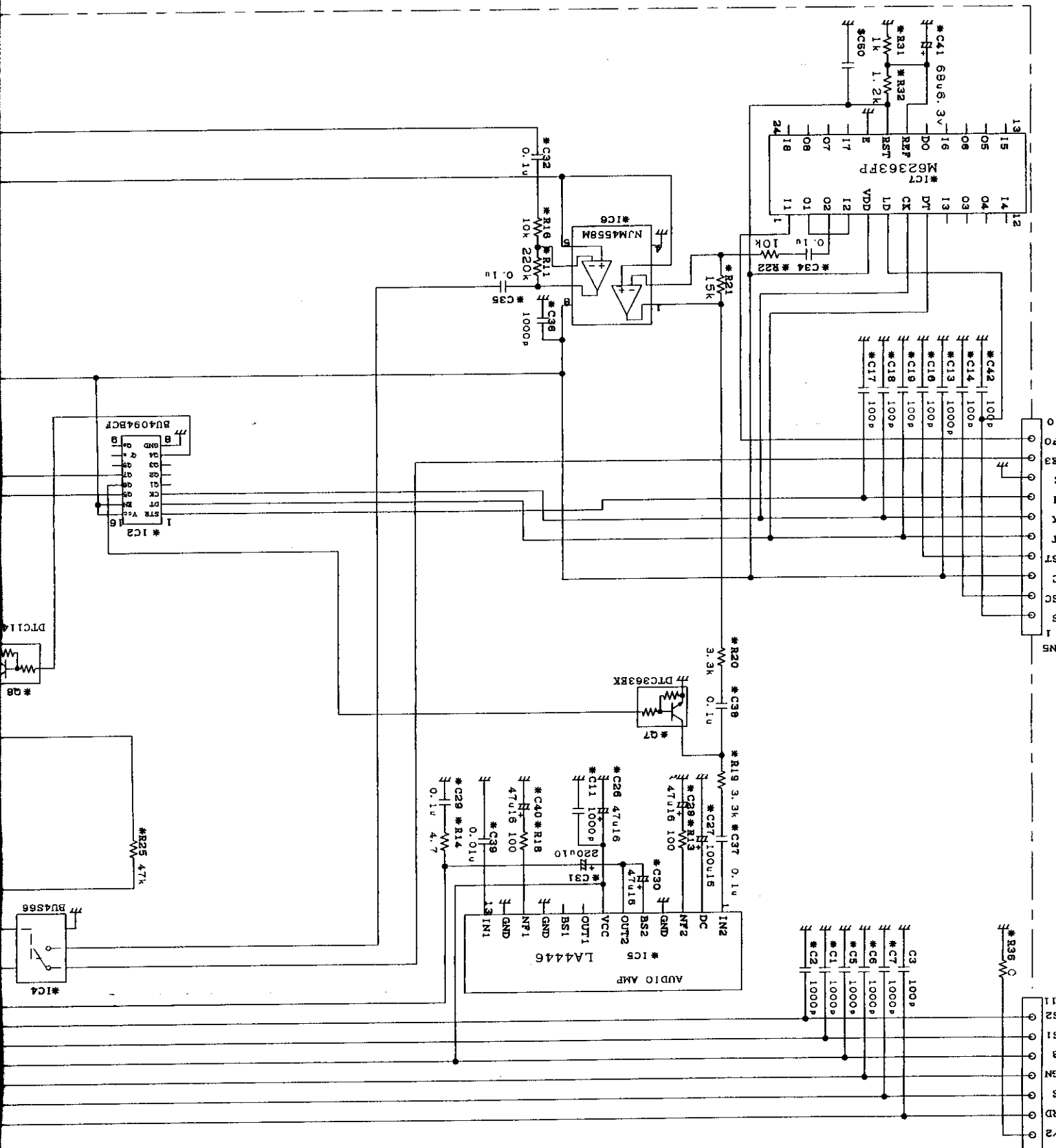
USE FOR	C13	C16	C19	C24	C27	C28	C30	C37	C38
0-10	2P	3P	4P	4P	5P	5P	5P	5P	5P



PA CNS

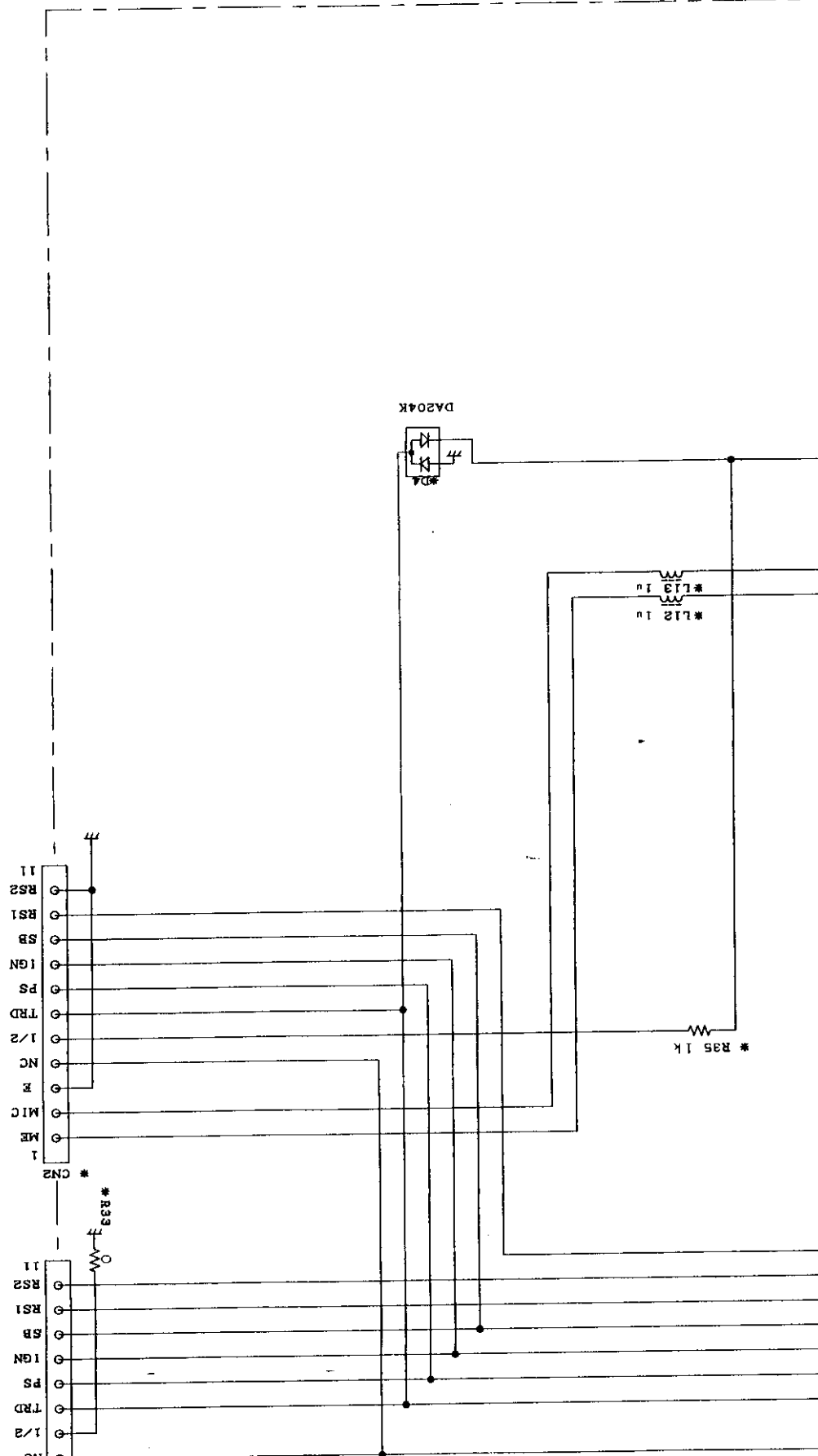
DESIGNED
24/JUN/1998
S. IGARASHI

株式会社

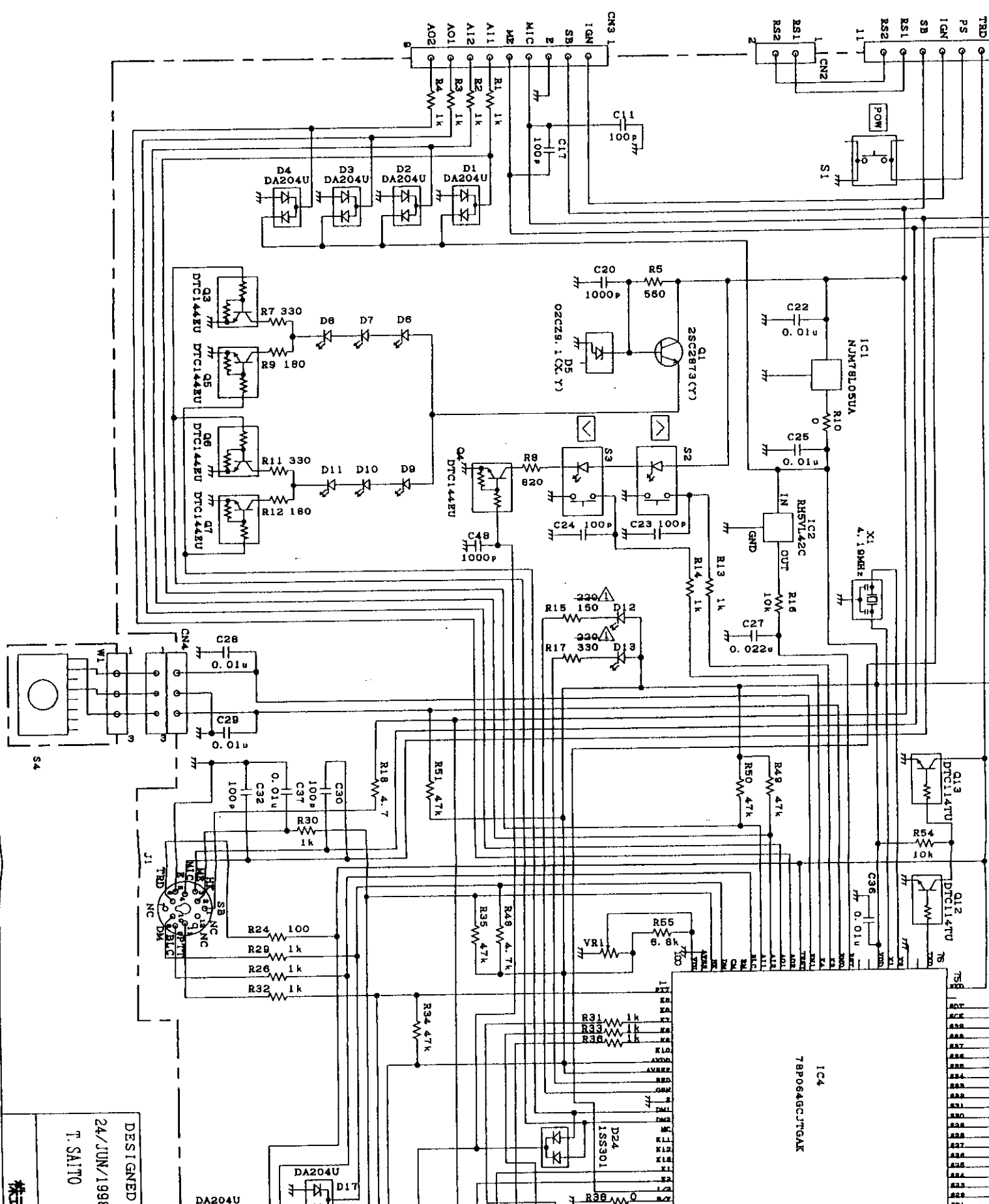


DESIGNED	A. KITAHASHI	29/MAY/1998	KENWOOD 株式会社		Z92-0602-02 1/1 01
	Y. MATUI	26/JUN/1998	CORPORATION		
DRAWN	T. NAGATA	29/JUN/1998			PARTS NUMBER
CHECKED	K. HIKICHI	29/JUN/1998			RRK-5/RRK-6DH
APPROVED					SCHWEMATIC DIAGRAM
PARTS NAME				TK-290 / TK-090	

TROL HEAD1 TO CONTROL HEAD2

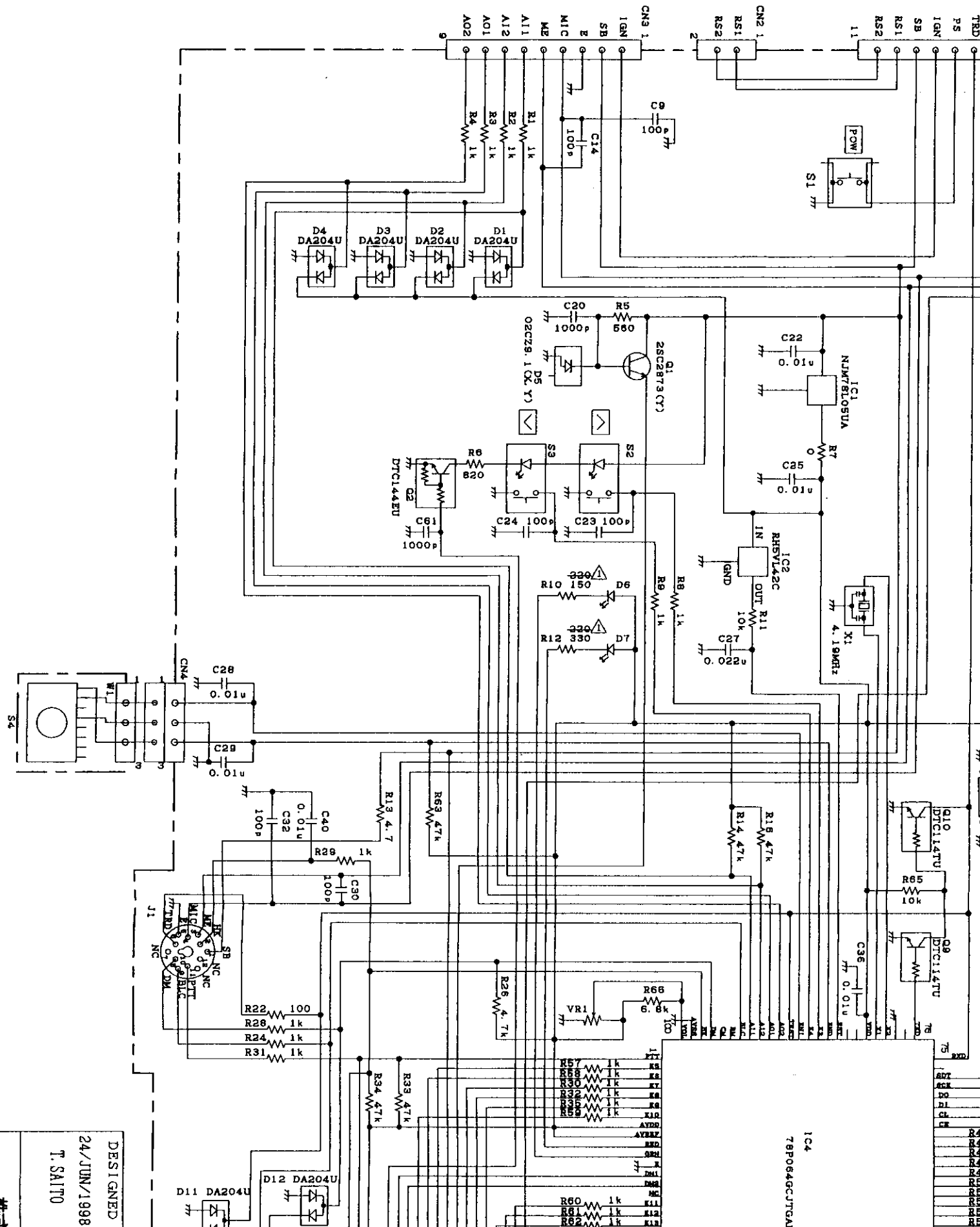


H
G
F
E
D



DESIGNED
24/JUN/1998
T. SAITO



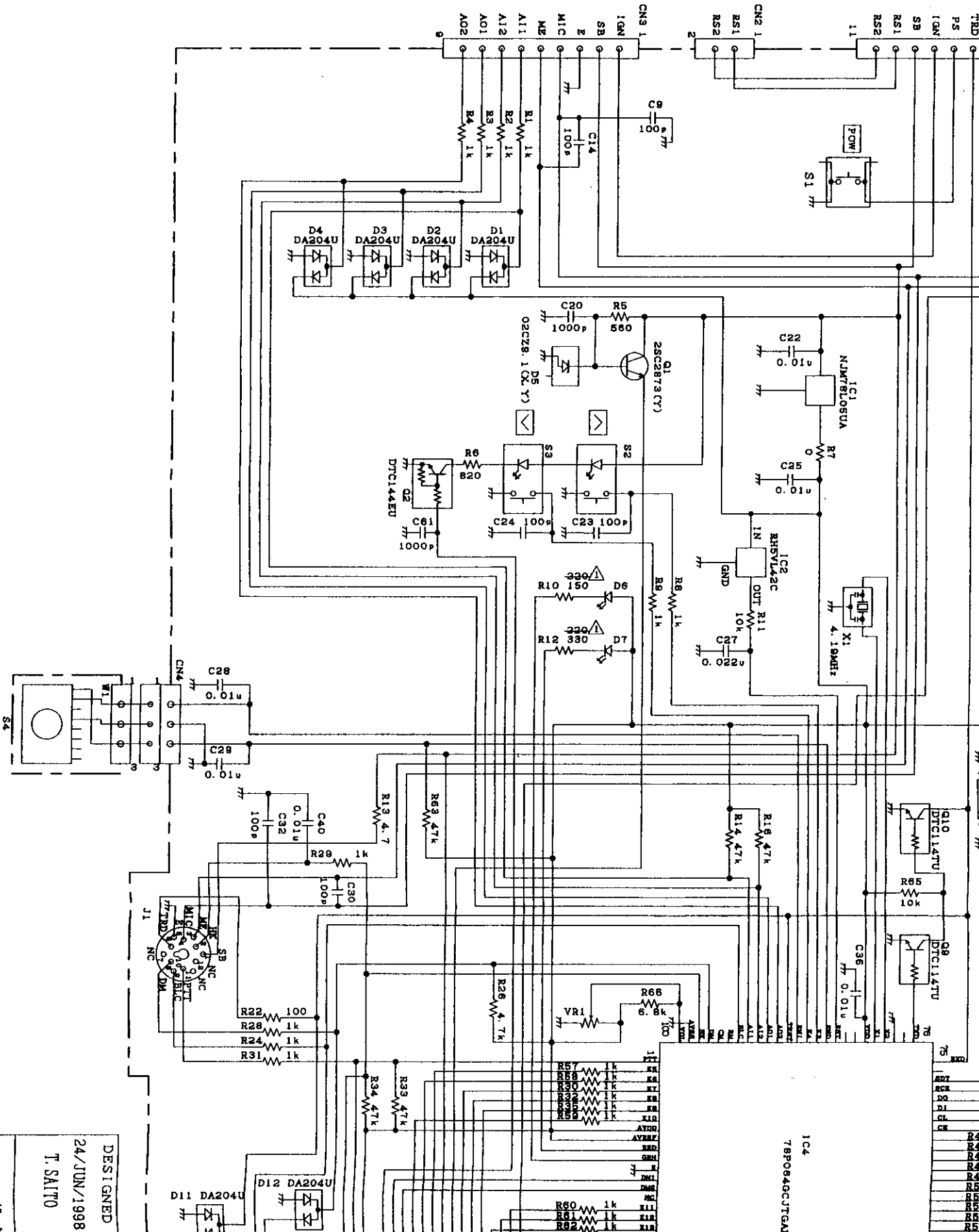


DESIGNED
 24/JUN/1998
 T. SAITO

株式会社

node: scad6 directory: /users/sch/work/c5236
 time: 11:22 03-11-98

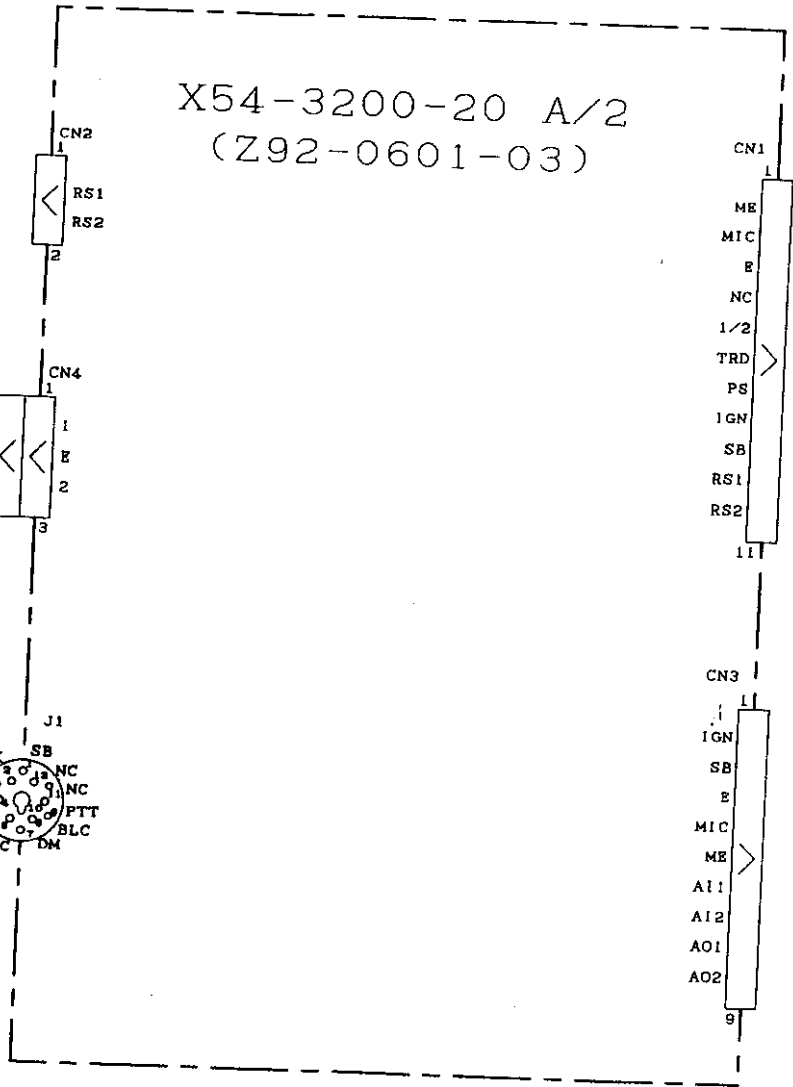
page: X54320H00



DESIGNED
 24/JUN/1998
 T. SAITO

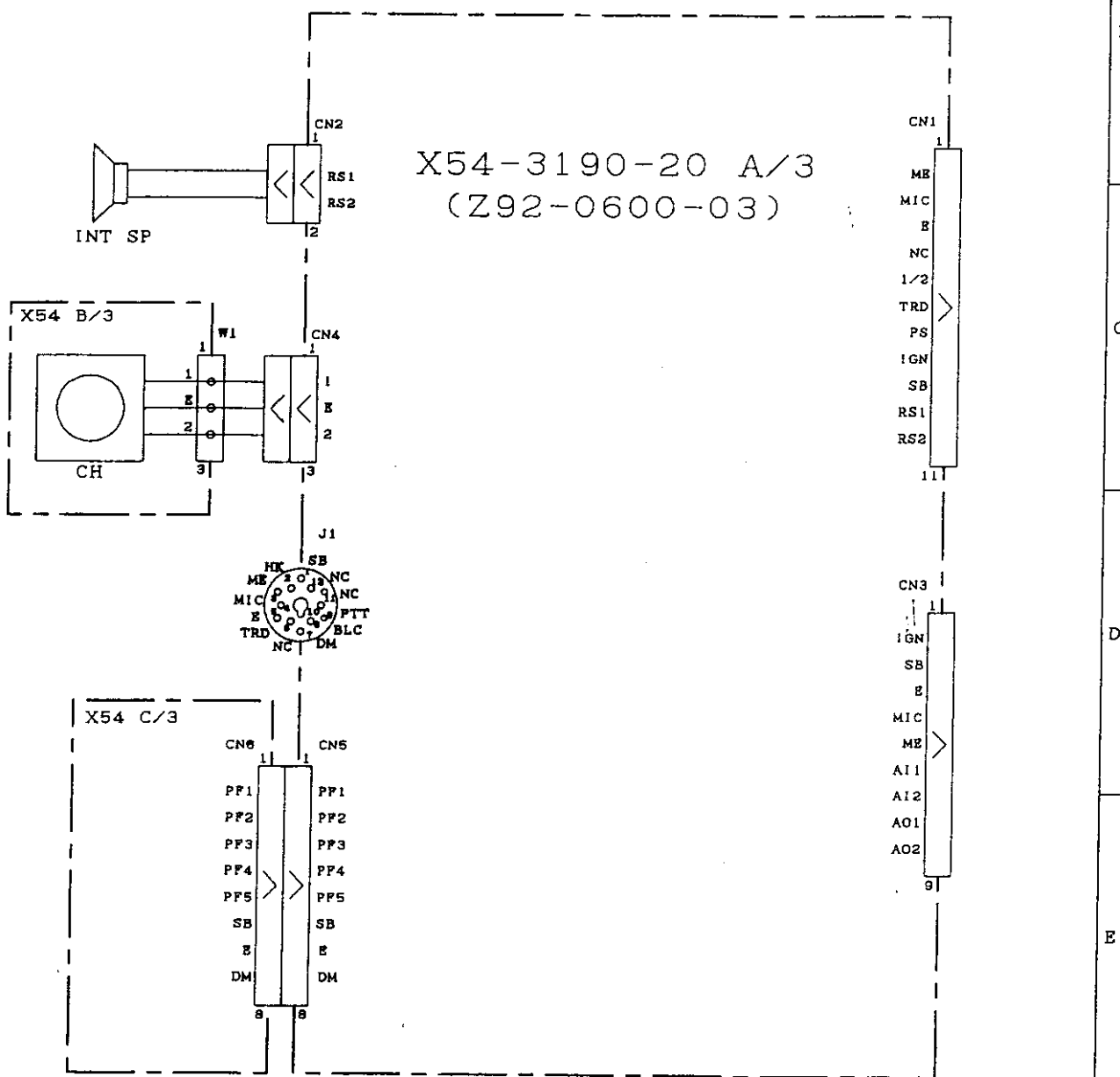
株式会社

USE FOR	SYMBOL	REVISION NO	CODE	ISSUED	DATE
Y60-3800-20	△ X				19 - -
	△ X				19 - -
	△ X				19 - -
	△ X				19 - -
	△ X				19 - -



DESIGNED	DRAWN	CHECKED	APPROVED	PARTS NAME	TK-790/TK-890
05/JUN/1998	24/JUN/1998	24/JUN/1998	29/JUN/1998	総配線図	KCH-11
T. SAITO	Y. MATUI	T. SAITOU	K. HIKICHI	INTERCONNECT DIAGRAM	
				PARTS NUMBER	

USE FOR	SYMBOL	REVISION NO	CODE	ISSUED	DATE
Y60-3790-20	△ X				19 - -
	△ X				19 - -
	△ X				19 - -
	△ X				19 - -
	△ X				19 - -



TK-790/TK-890

DESIGNED 05/JUN/1998 T. SAITO	DRAWN 24/JUN/1998 Y. MATUI	CHECKED 24/JUN/1998 T. SAITOU	APPROVED 29/JUN/1998 K. HIKICHI	PARTS NAME 総配線図 INTERCONNECT DIAGRAM PARTS NUMBER	KCH-10
-------------------------------------	----------------------------------	-------------------------------------	---------------------------------------	--	--------