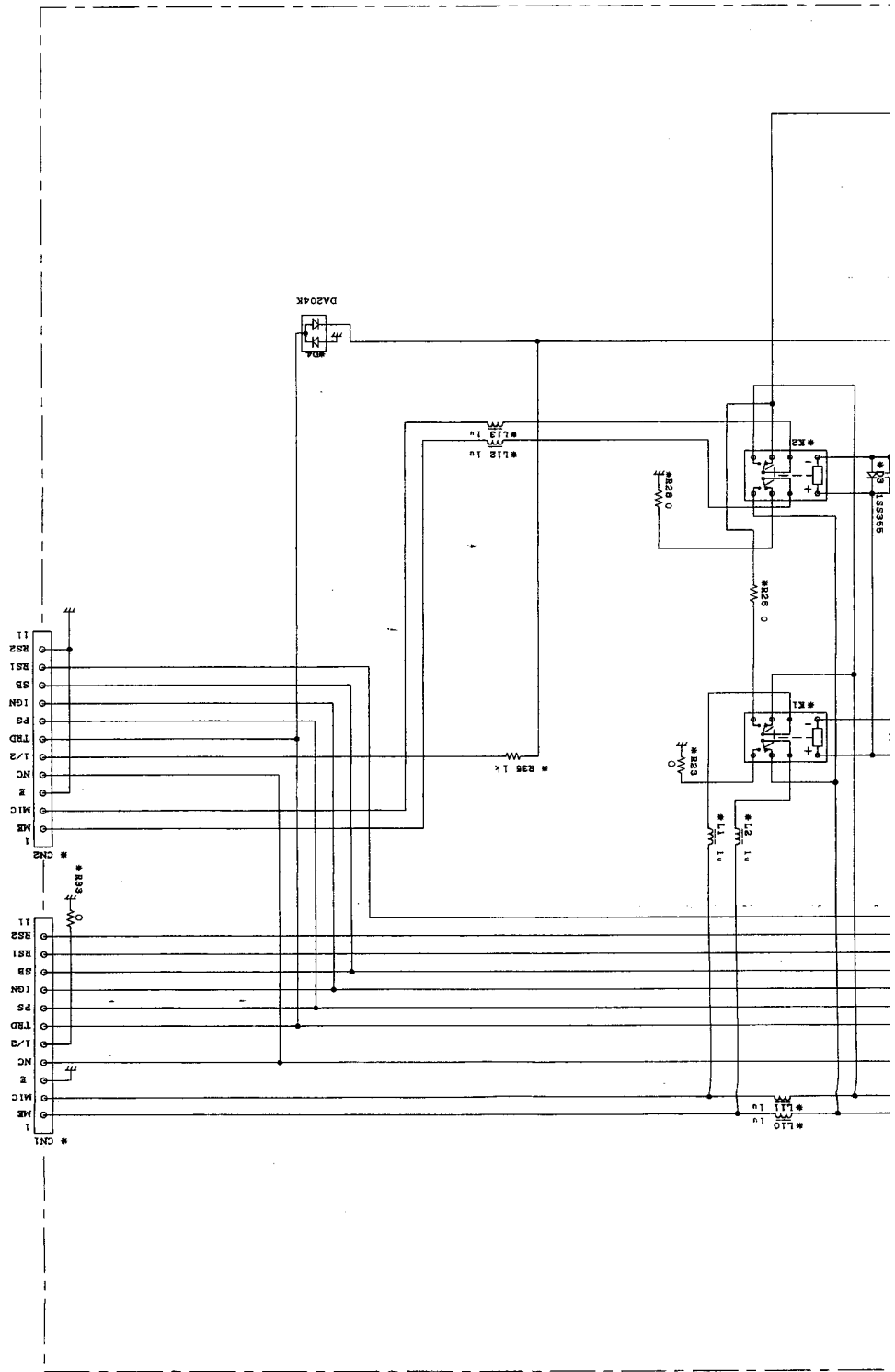


DESIGNED	29/MAY/1998	A. KITAHASHI	KENWOOD CORPORATION	Z92-0602-02 1/1 01
	26/JUN/1998	Y. MATUI		
DRAWN	29/JUN/1998	T. NAGATA	KENWOOD CORPORATION	Z92-0602-02 1/1 01
CHECKED	29/JUN/1998	K. HIKICHI		
APPROVED	PARTS NAME 二ツト配線図			
SCHEMATIC DIAGRAM				
PARTS NUMBER KRK-5/KRK-6DH				

TK-290/TK-890

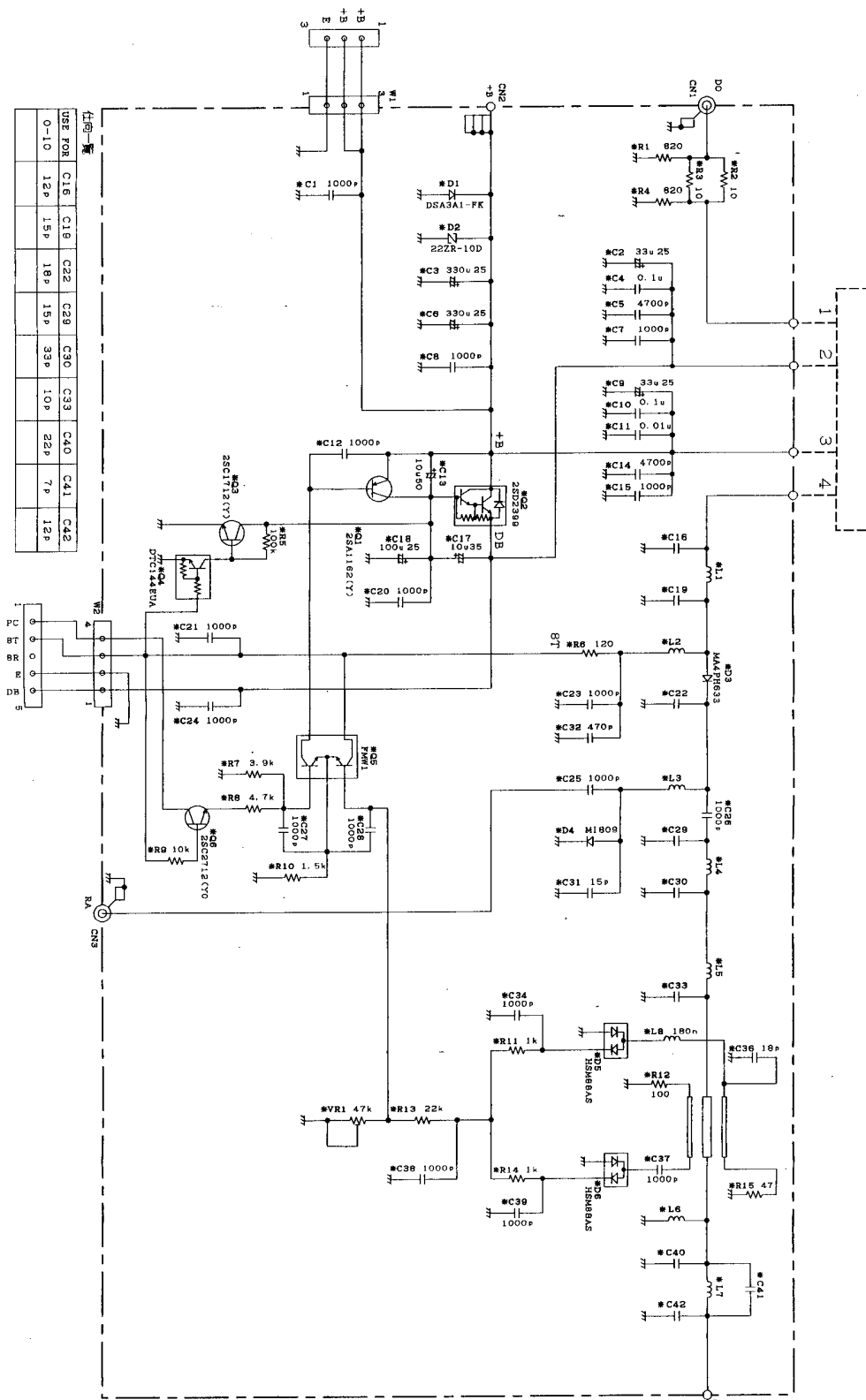
TO CONTROL HEAD1 TO CONTROL HEAD2



19	X			
19	X			
19	X			
19	X			
19	X			
19	X			
19	X			
19	X			
19	X			

R23	R25	R26	R29	R30	R31	R32	R33	R35	R36

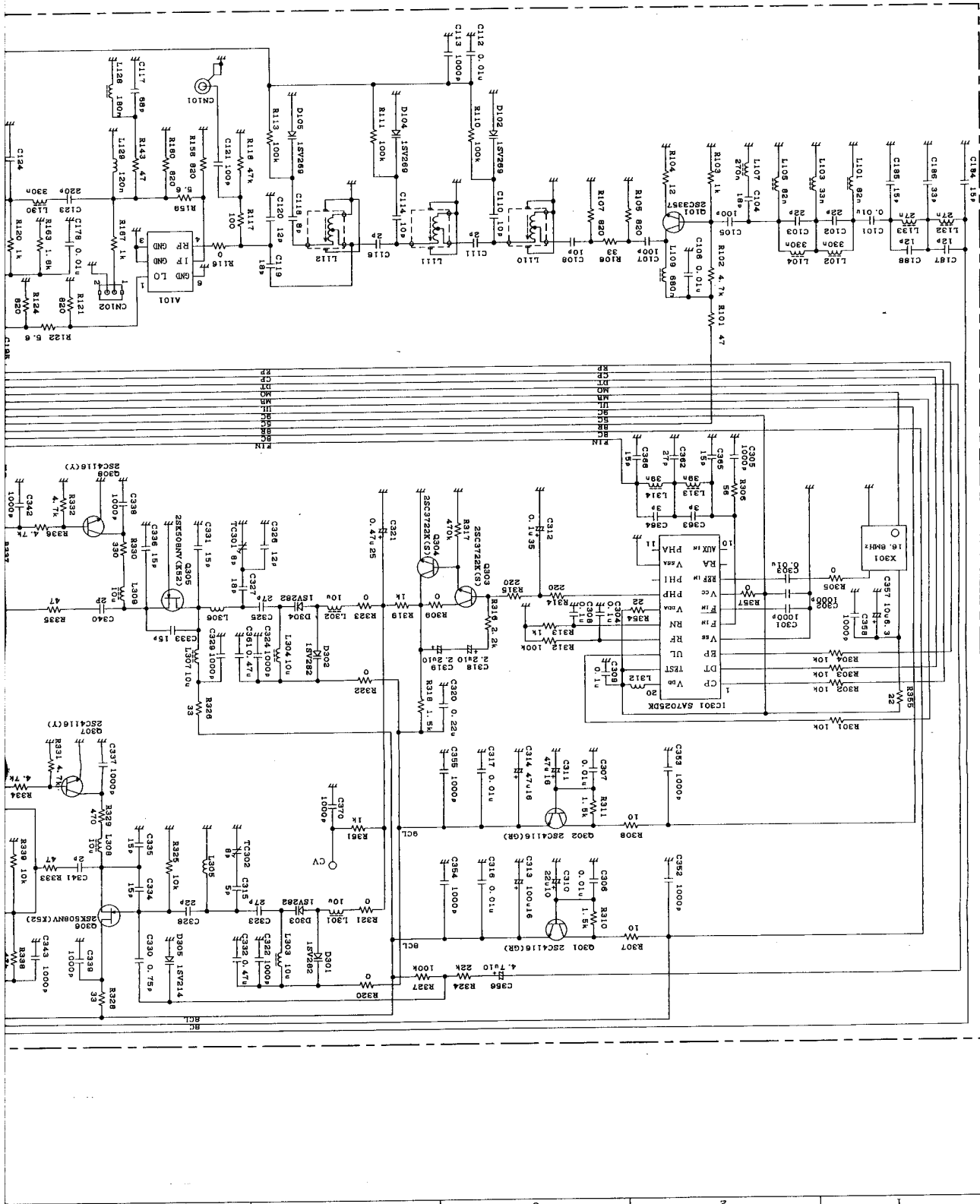
POWER MODULE



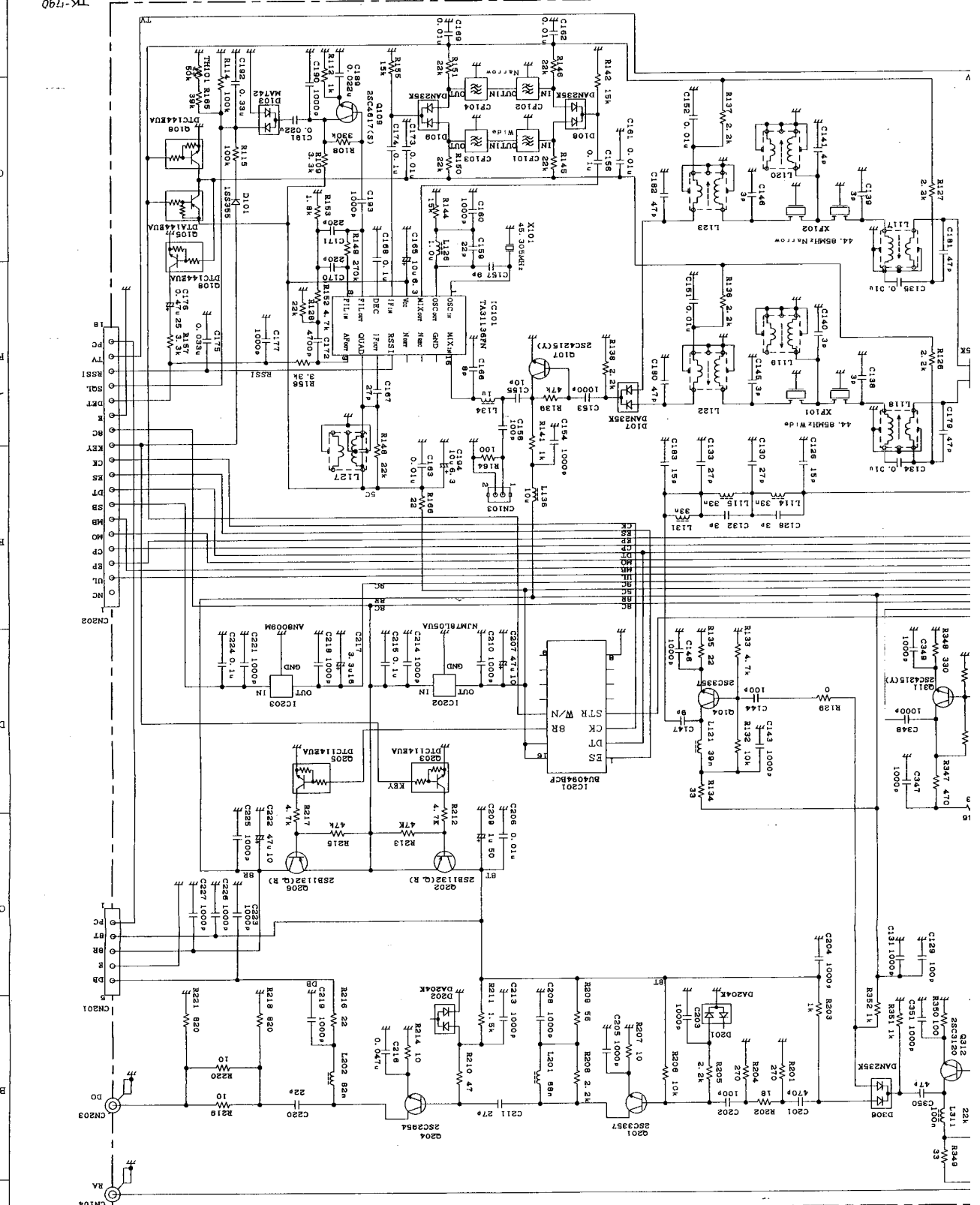
USE FOR	C16	C18	C22	C29	C30	C33	C40	C41	C42
0-10	12p	15p	18p	15p	33p	10p	22p	7p	12p

USE FOR	SYMBOL	REVISION NO.	CODE	ISSUED	DATE
X57-551**	AX				19--
	AX				19--
	AX				19--
	AX				19--

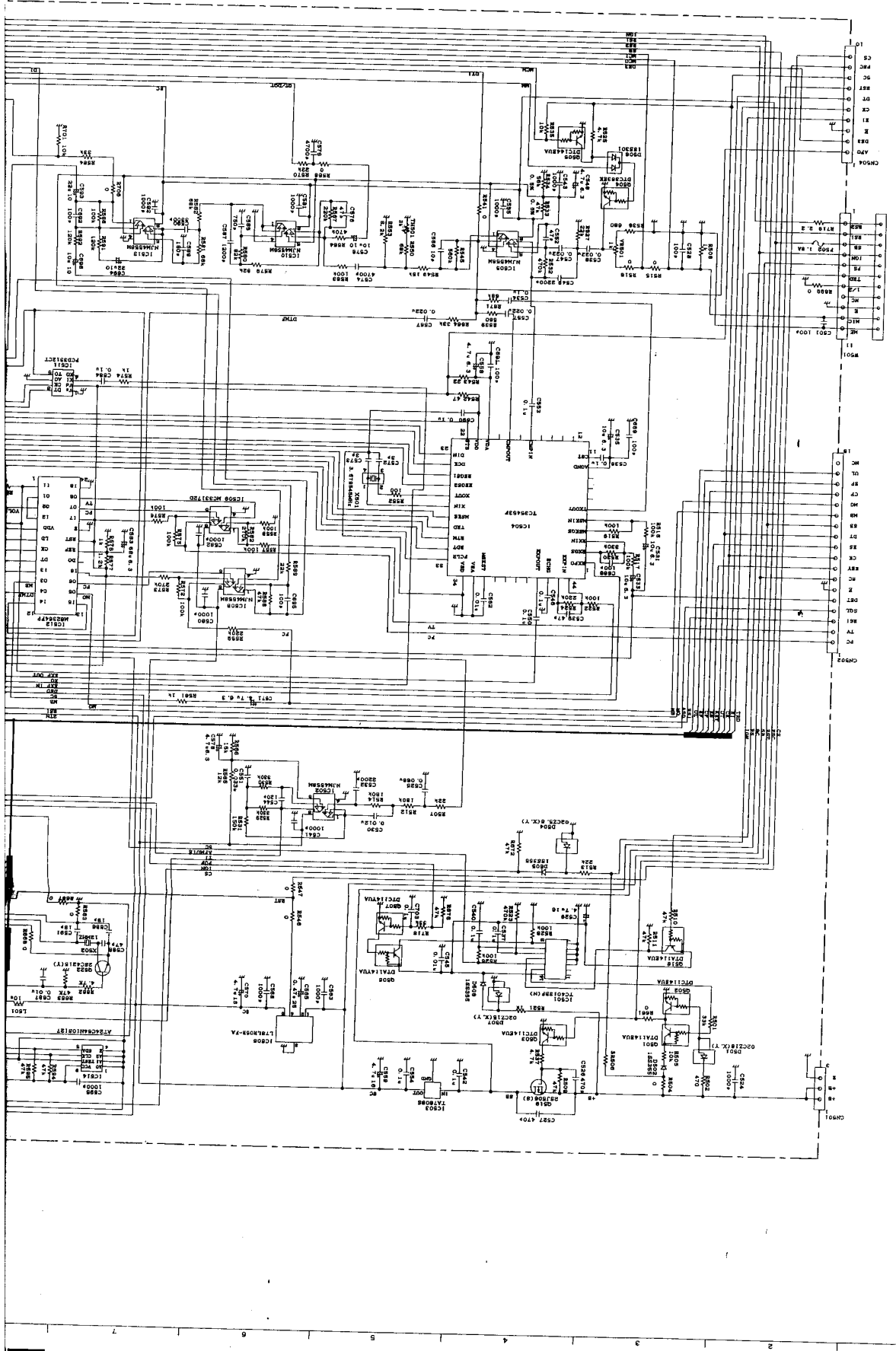
DESIGNED	DRAWN	CHECKED	APPROVED	PARTS NAME	TX-RX
24/JUN/1998	26/JUN/1998	29/JUN/1998	29/JUN/1998	SCHEMATIC DIAGRAM	TK-790
S. IGARASHI	Y. MATSUI	T. MAEDA	K. HIKICHI	PARTS NUMBER	
KENWOOD CORPORATION				Z92-0611-03	1/1 01



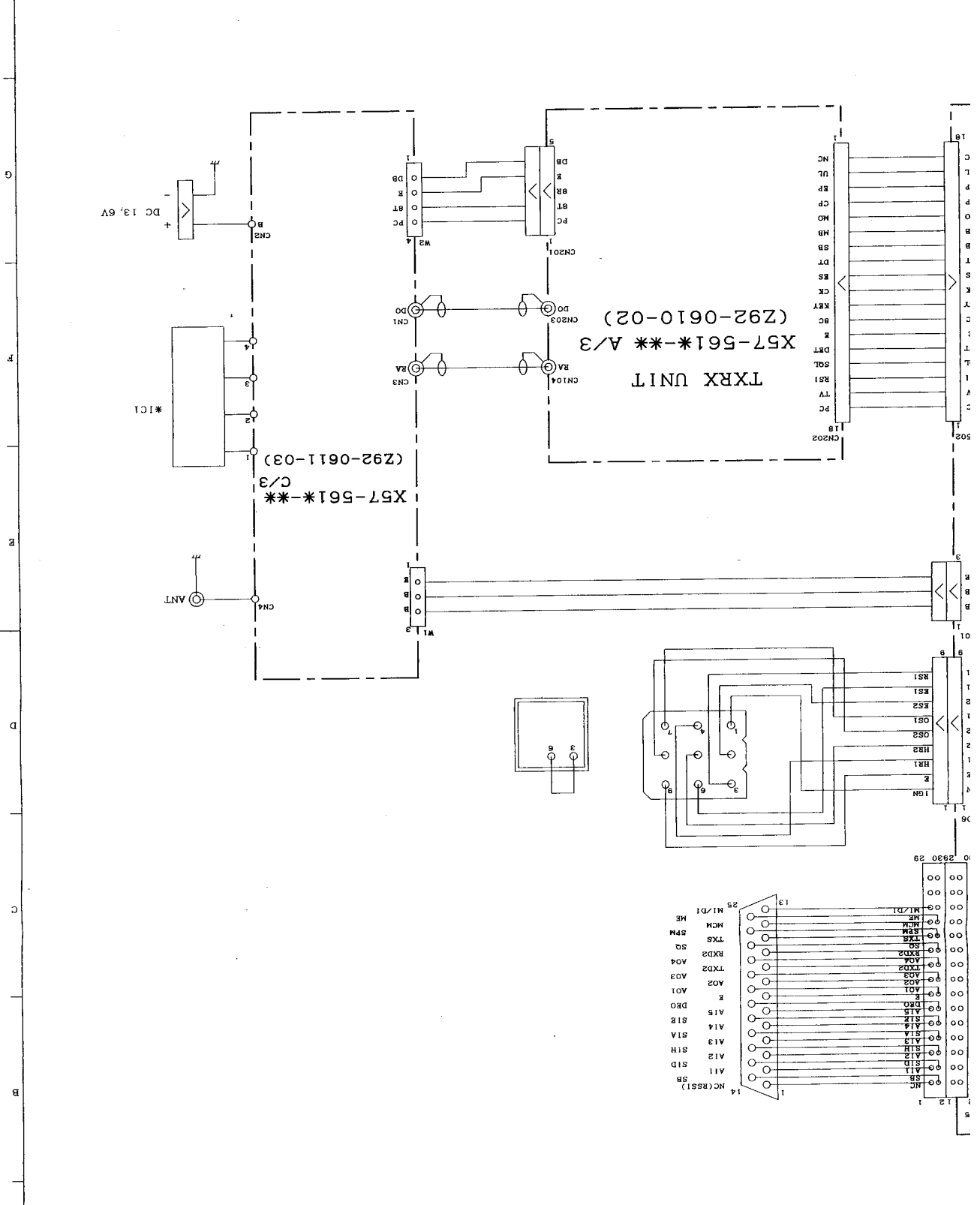
DESIGNED S. IGARASHI 24/JUN/1998
 DRAWN Y. MATUI 26/JUN/1998
 CHECKED T. NAGATA 29/JUN/1998
 APPROVED K. HIRACHI 29/JUN/1998
 PARTS NAME TX-RX
 SCHEMATIC DIAGRAM
 EX-2293
 PARTS NUMBER
 Z92-0610-02 1/1 01
 KENWOOD CORPORATION
 株式会社ケンウッド



DATE	ISSUED	CODE	REVISION NO.	SYMBOL	USE FOR
19	-	-	10	X	X57-561*-**
19	-	-	10	X	X57-561*-**
19	-	-	10	X	X57-561*-**
19	-	-	10	X	X57-561*-**
19	-	-	10	X	X57-561*-**
19	-	-	10	X	X57-561*-**
19	-	-	10	X	X57-561*-**
19	-	-	10	X	X57-561*-**
19	-	-	10	X	X57-561*-**
19	-	-	10	X	X57-561*-**

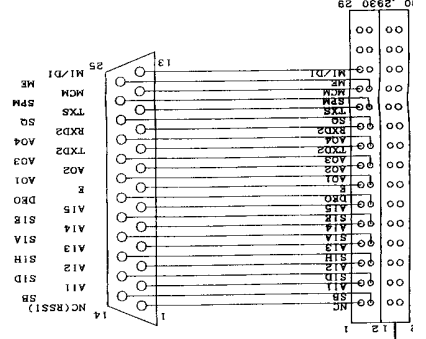


DESIGNED	T. SAITOU	05/JUN/1998	24/JUN/1998	24/JUN/1998	29/JUN/1998	APPROVED	PARTS NAME X57-561* *IC1	TK-790	
	DRAWN	T. MATUI	24/JUN/1998	24/JUN/1998	29/JUN/1998				K. HIKICHI
PARTS NUMBER		Z83-3049-02 1/1 01			CORPORATION		INTERCONNECT DIAGRAM		



USE FOR	SYMBOL	REVISION NO	CODE	ISSUED	DATE
Y51-4470-10	△X				19--
	△X				19--
	△X				19--
	△X				19--
	△X				19--
	△X				19--
	△X				19--
	△X				19--
	△X				19--
	△X				19--

Y
G
F
B
D
C
B
A

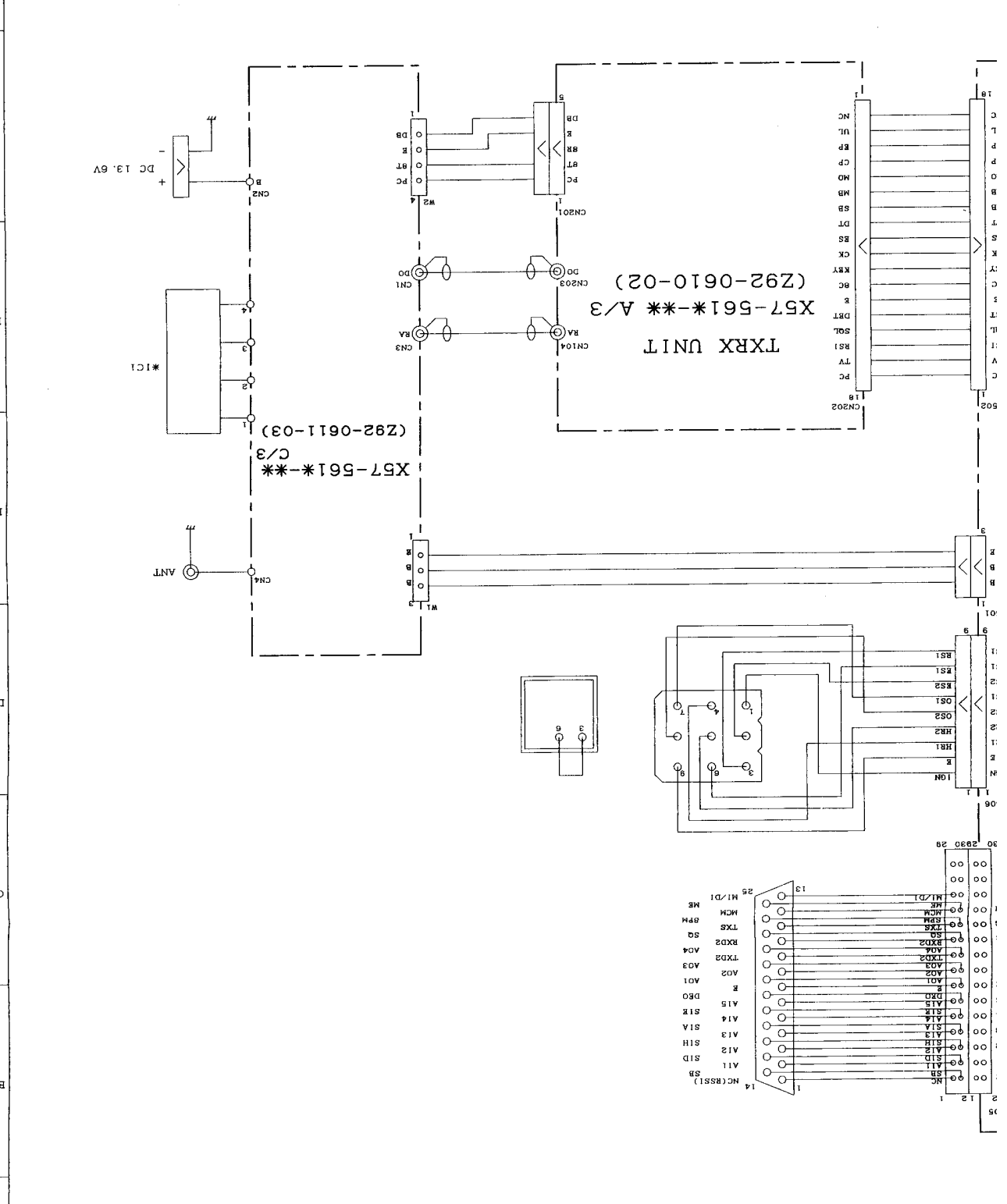


TXRX UNIT
(Z92-0610-02)
X57-561*
**A/3

TXRX UNIT
(Z92-0611-03)
C/3
X57-561*
**A/3

DESIGNED	T. SAITO	05/JUN/1998	24/JUN/1998	29/JUN/1998	K. HIKICHI	Z83-3050-02 1/1 01
	DRAWN	T. SAITOU	T. SAITOU	T. SAITOU	K. HIKICHI	
CHECKED						PARTS NUMBER
APPROVED						INTERCONNECT DIAGRAM
						PARTS NAME
						TK-790(B)

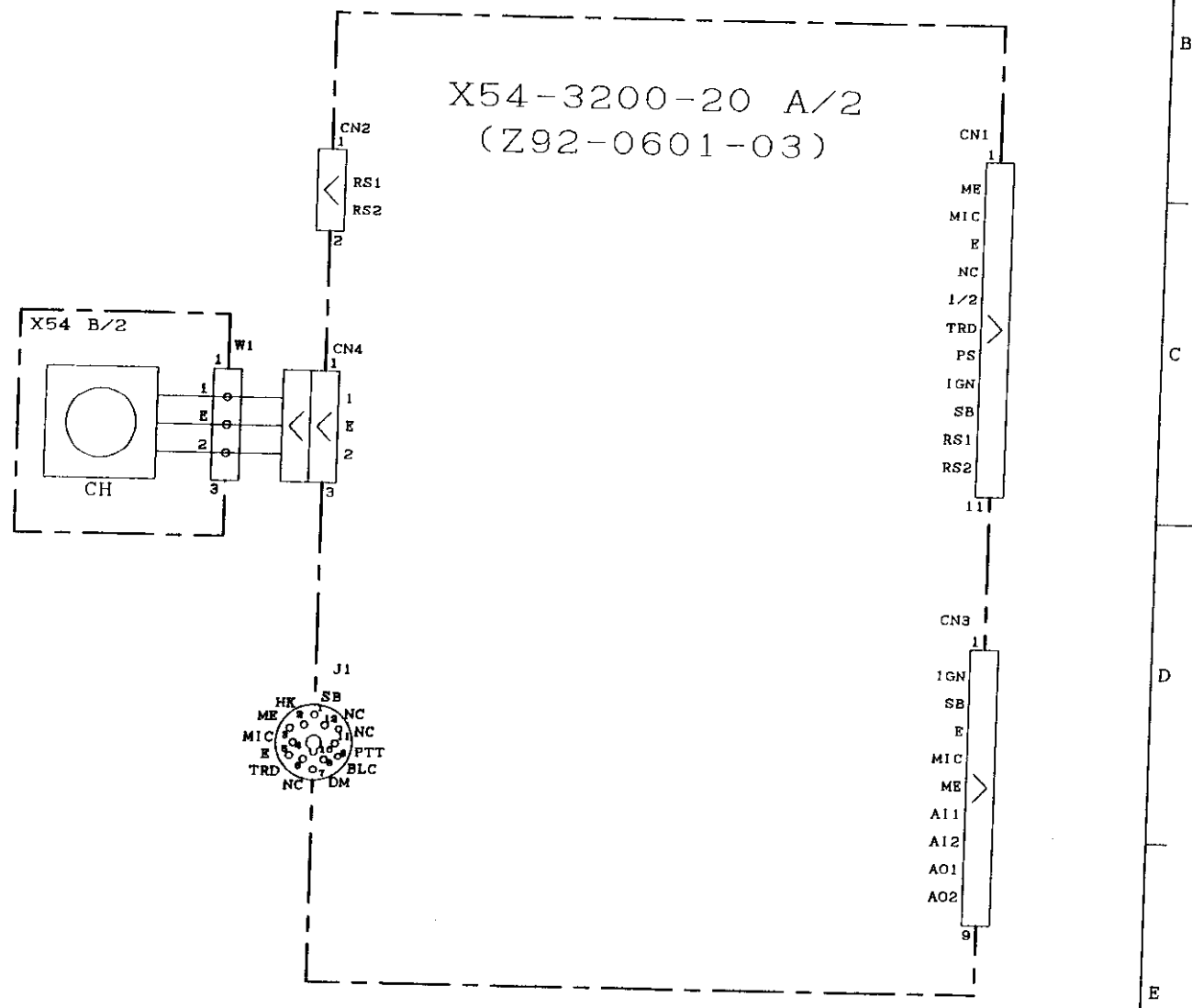
Y
H



USE FOR	SYMBOL	REVISION NO	CODE	ISSUED	DATE
Y51-4480-10	△X				19
	△X				19
	△X				19
	△X				19
	△X				19
	△X				19
	△X				19
	△X				19
	△X				19
	△X				19

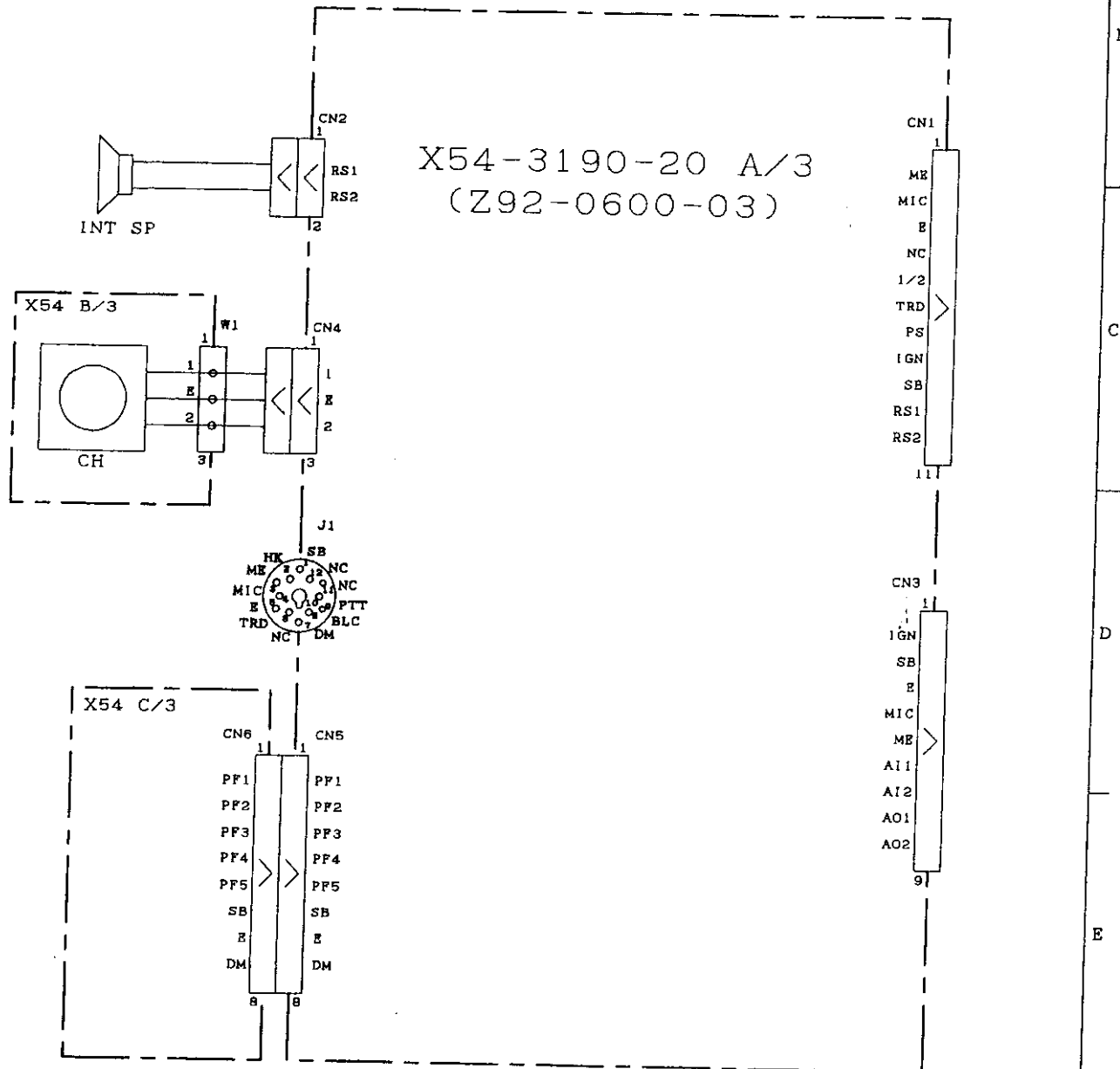
9
10
11
A

USE FOR	SYMBOL						
Y60-3800-20	△ X						19 - -
	△ X						19 - -
	△ X						19 - -
	△ X						19 - -
	△ X						19 - -
	△ X						19 - -



DESIGNED 05/JUN/1998 T. SAITO	DRAWN 24/JUN/1998 Y. MATUI	CHECKED 24/JUN/1998 T. SAITOU	APPROVED 29/JUN/1998 K. HIKICHI	PARTS NAME TK-790/TK-890 KCH-11 総配線図 INTERCONNECT DIAGRAM
PARTS NUMBER				

USE FOR	SYMBOL	REVISION NO	CODE	ISSUED	DATE
Y60-3790-20	△X				19 - -
	△X				19 - -
	△X				19 - -
	△X				19 - -
	△X				19 - -



DESIGNED	DRAWN	CHECKED	APPROVED	PARTS NAME	TK-790 / TK-890
05/JUN/1998	24/JUN/1998	24/JUN/1998	29/JUN/1998	総配線図	KCH-10
T. SAITO	Y. MATUI	T. SAITOU	K. HIKICHI	INTERCONNECT DIAGRAM	
				PARTS NUMBER	