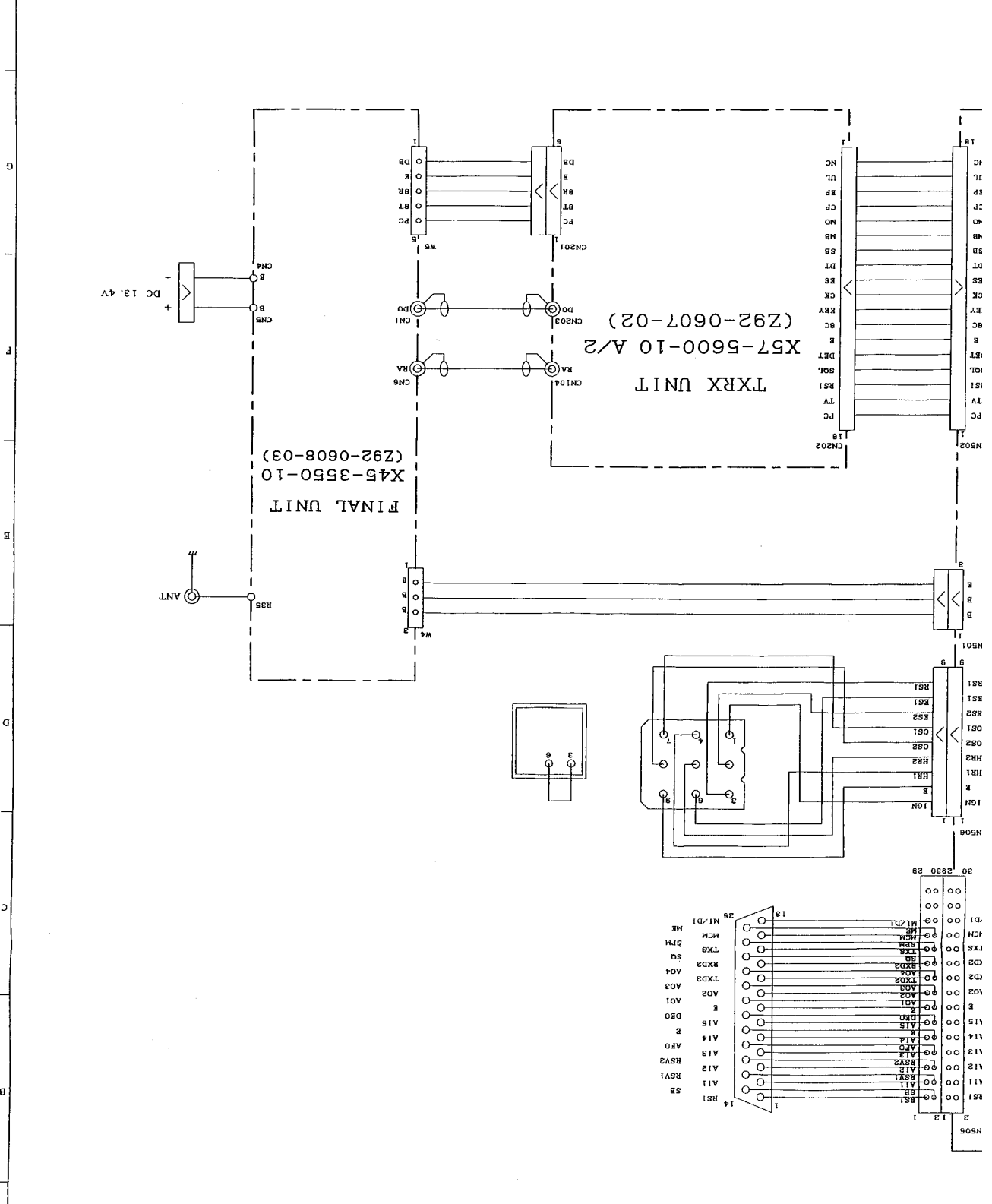


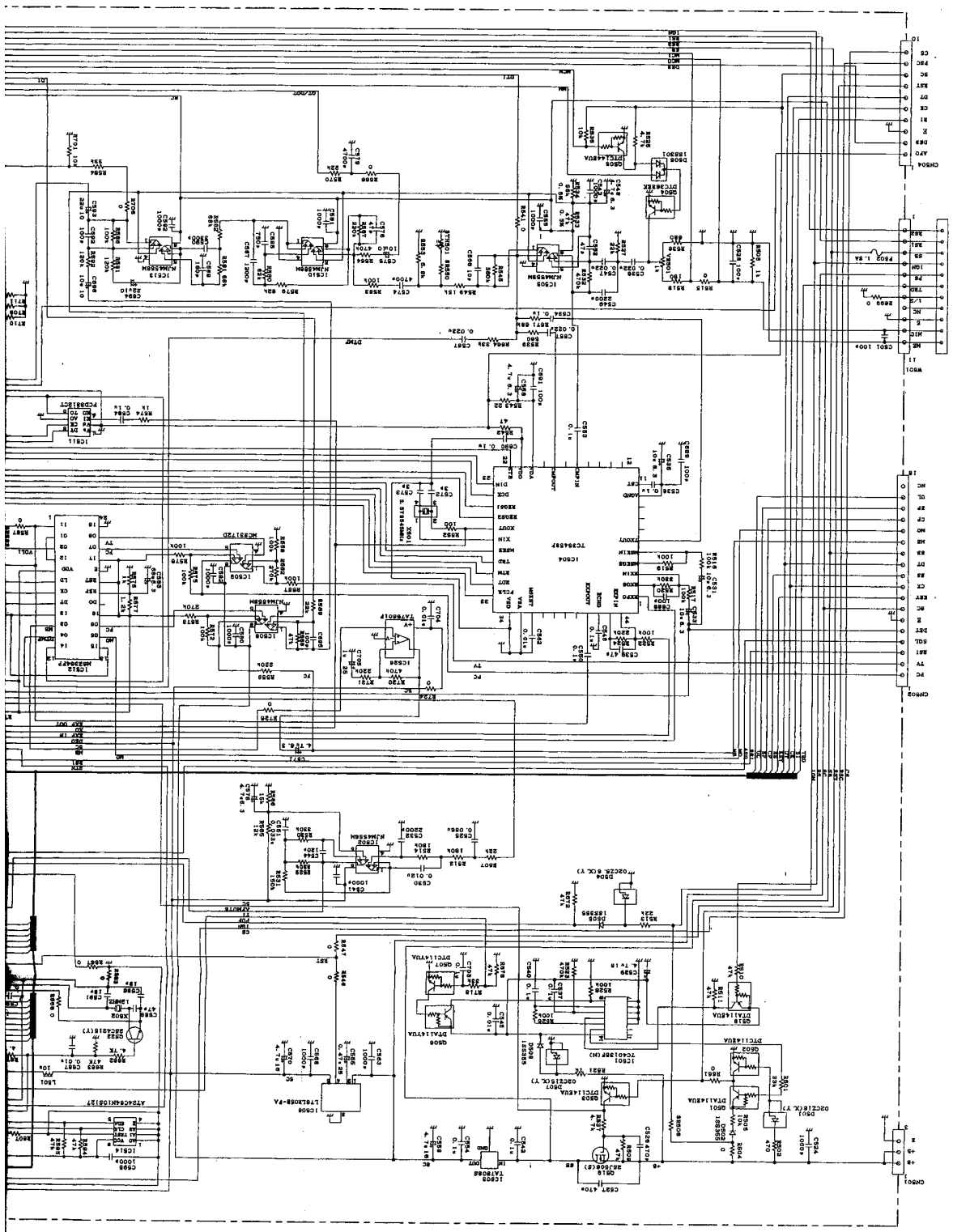
X57-5600-10  
(Z92-0609-

DESIGNED	Y. KIYOMIYA	16/NOV/1998	KINWOOD CORPORATION	Z83-3063-02 1/1 00
DRAWN	Y. MATUI	16/NOV/1998		
CHECKED			PARTS NAME	終局機 (TK-690H(B))
APPROVED			INTERCONNECT DIAGRAM	
			PARTS NUMBER	



DATE	ISSUED	CODE	REVISION NO	USE FOR	SYMBOL
19				Y51-4460-10	▽X
19					▽X
19					▽X
19					▽X
19					▽X
19					▽X
19					▽X
19					▽X
19					▽X
19					▽X
19					▽X

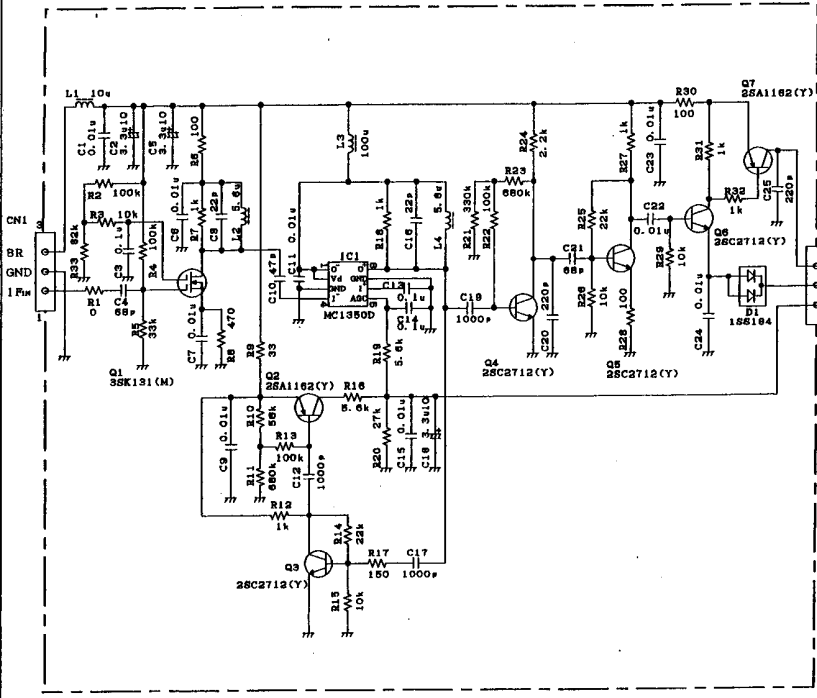
11







1	2	3	4
USE FOR	SYMBOL	REVISION NO	CODE
X58-4610-10	△X		
	△X		
	△X		
	△X		
	△X		
	△X		



DESIGNED 05/MAR/1998 Y. KIYOMIYA	DRAWN 17/NOV/1998 Y. KIYOMIYA	CHECKED	APPROVED	PARTS NAME TK-690H ユニット配線図 NBユニット
株式会社ケンウッド KENWOOD CORPORATION				PARTS NUMBER Z92-0650-04 1/1 00