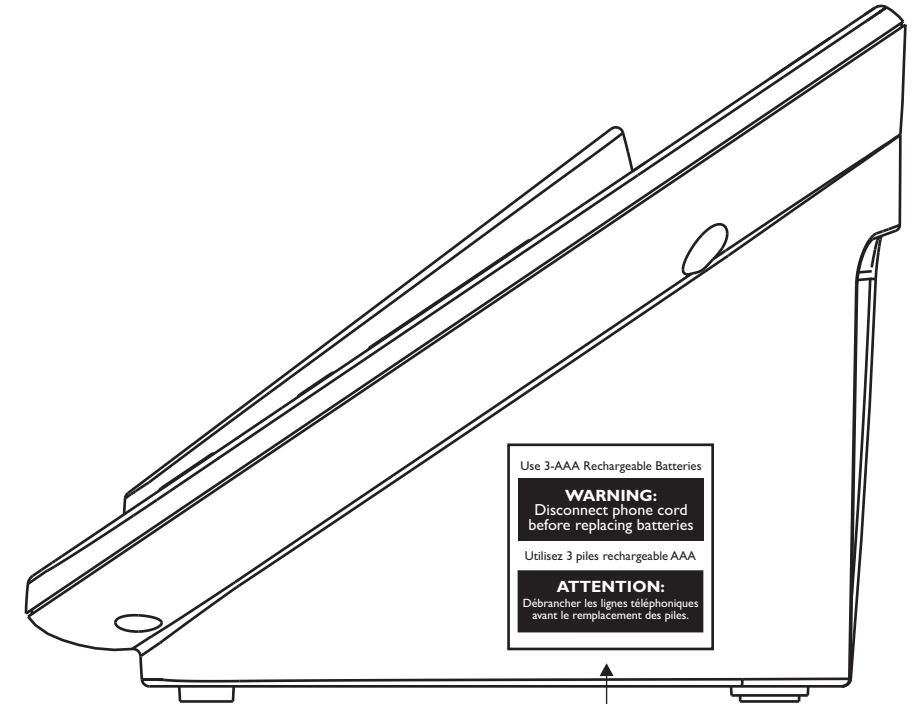
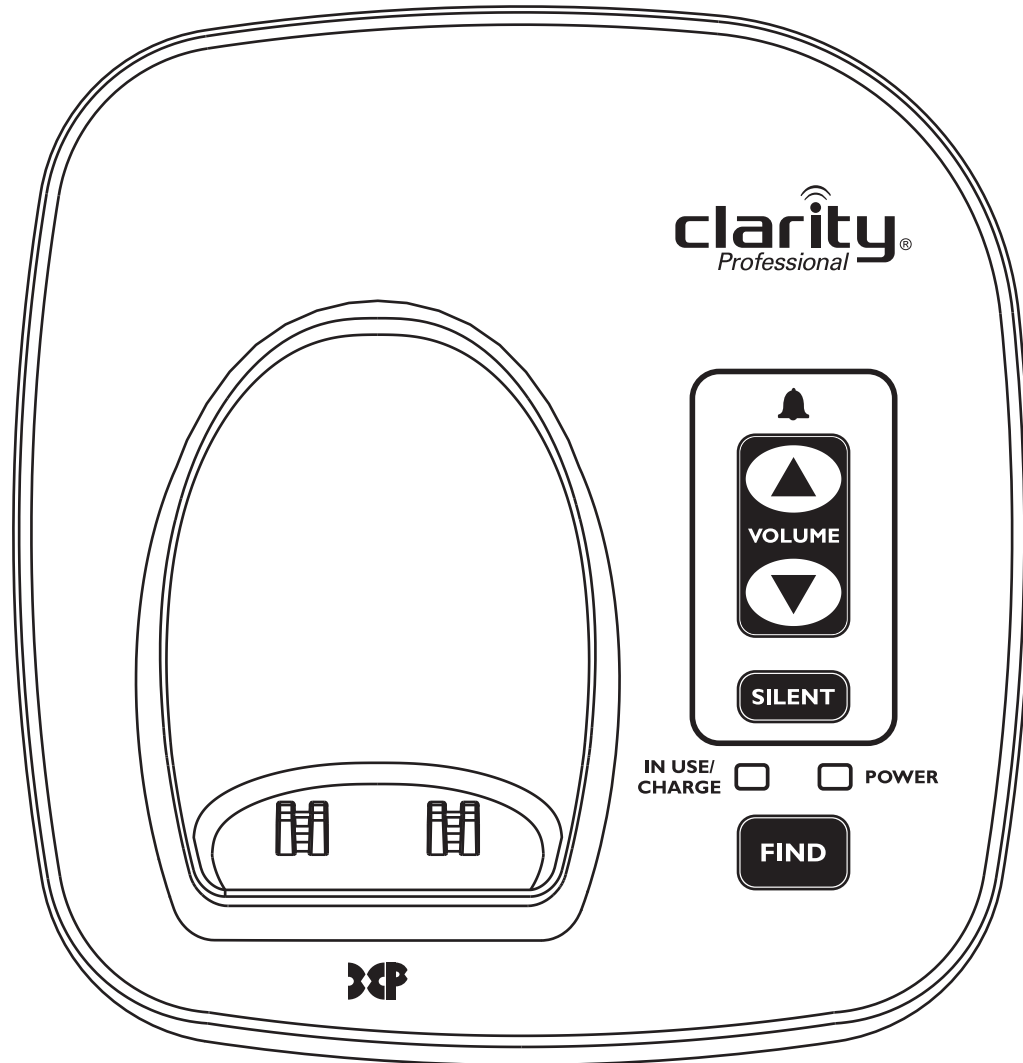
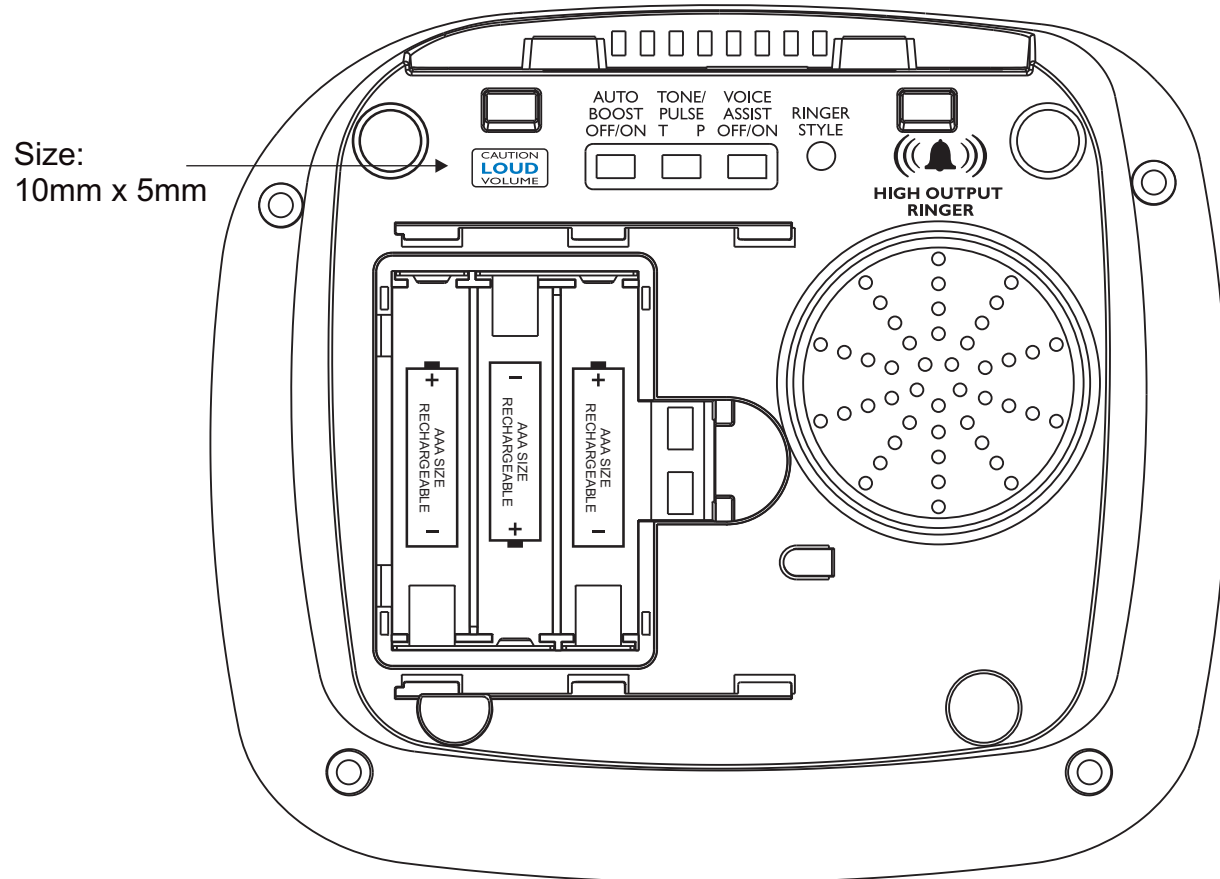


XLC2D
Rev. 9
04/27/2012

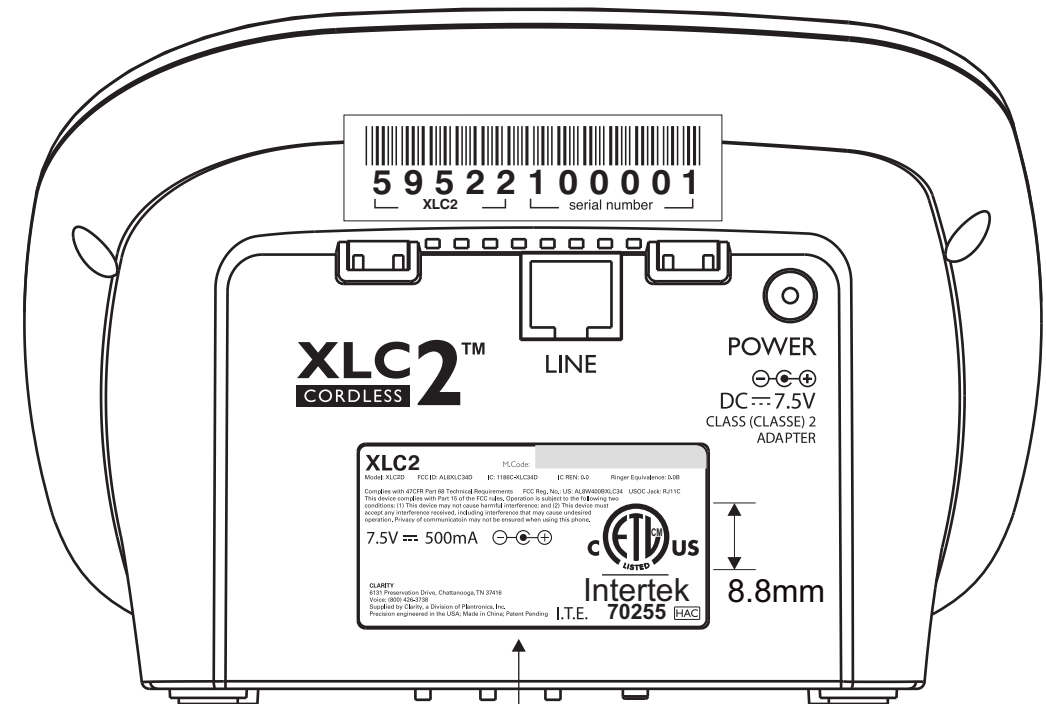


Use 3-AAA Rechargeable Batteries
WARNING:
Disconnect phone cord
before replacing batteries
Utilisez 3 piles rechargeable AAA
ATTENTION:
Débrancher les lignes téléphoniques
avant le remplacement des piles.

Size: 27mm x 27mm

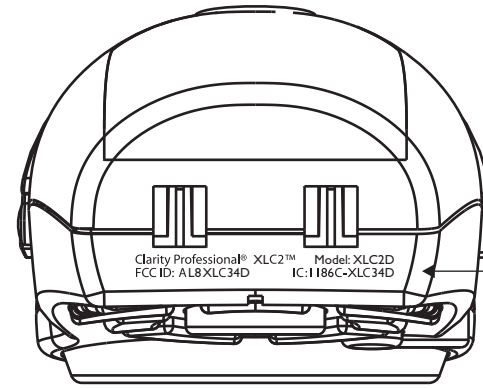
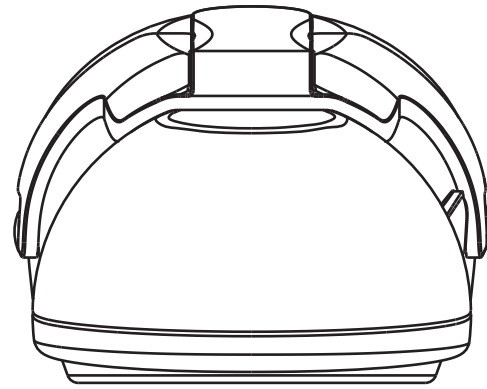


Size:
10mm x 5mm



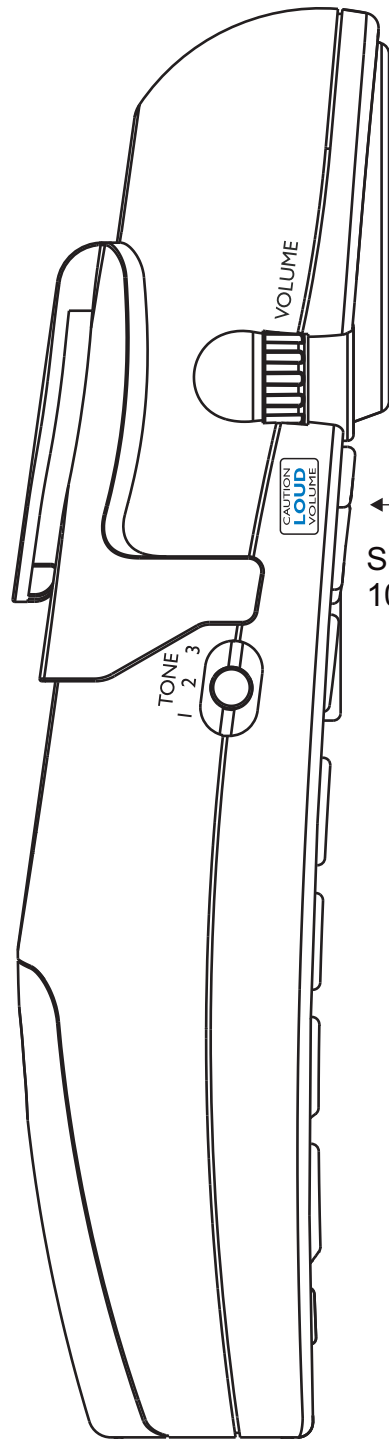
Size: 46mm x 24mm

XLC2D
Rev. 8
04/17/2012



Size: 34mm x 3mm

Braille Label



Size:
10mm x 5mm

