

COLOR KEY:



plantronics W8200B US AL8KXNANW8200B Made in Mexico
 PATENTS PENDING

CONFORMS TO UL STD 60950-1
 CERTIFIED TO CSA STD
 C22.2 No. 60950-1-07

Intertek
 81242

FCC ID: AL8-W8200B1

This device complies with part 15 of the FCC rules. Operation is subject to the following two conditions: (1) This device may not cause harmful interference, and (2) this device must accept any interference received, including interference that may cause undesired operation.

This Class B digital apparatus complies with Canadian ICES-003. Cet appareil numérique de la classe B est conforme à la norme NMB-003 du Canada.

IC: 457A-W8200B1
 Model: W8200B1

XX
 MMY

ARTMASTER #: 210290-00	REV: A	PMS COLOR #: See Key	DESCRIPTION: Seirenes Compliance Label- North America	
plantronics DESIGN		REF. PART #: 84786-09	PREPARED BY: m.mistry/k.peterson	DATE: Oct, 16th, 2017


Color Key:



PMS Black C



White


 W8200B1 US: AL8XXNANW8200B Made in Mexico
PATENTS PENDING


CONFORMS TO UL STD 60950-1
CERTIFIED TO CSA STD
C22.2 No. 60950-1-07 Manufactured by Plantronics

This device complies with part 15 of the FCC rules.
Operation is subject to the following two
conditions: (1) This device may not cause harmful
interference, and (2) this device must accept any
interference received, including interference that
may cause undesired operation.

This Class B digital apparatus complies with Canadian
ICES-003. Cet appareil numérique de la classe B est
conforme à la norme NMB-003 du Canada.

IC: 457A-W8200B1
Modél: W8200B1

 C LISTED US
Intertek
81242

 FCC ID: AL8-W8200B1

XX
MMYY

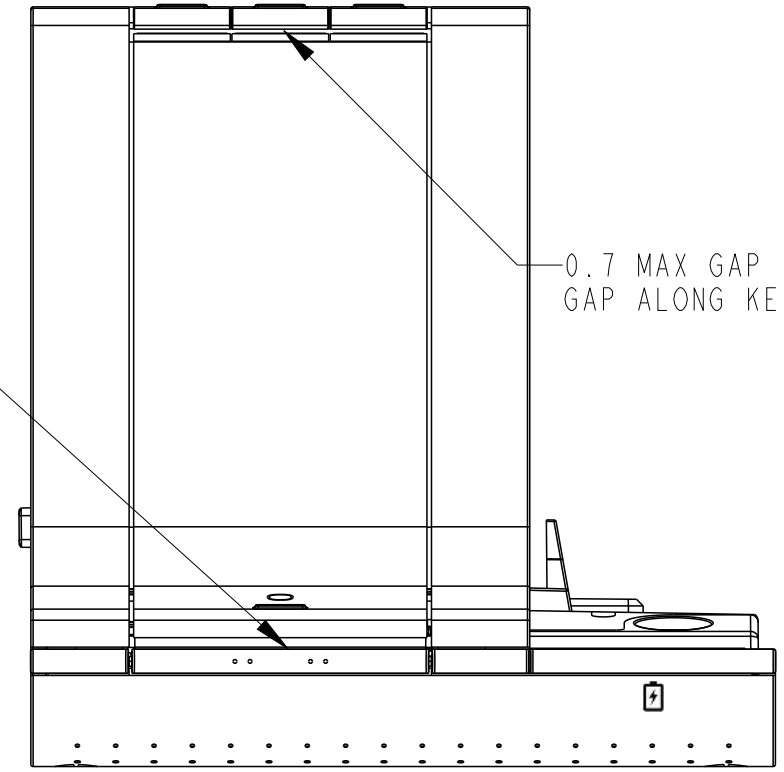
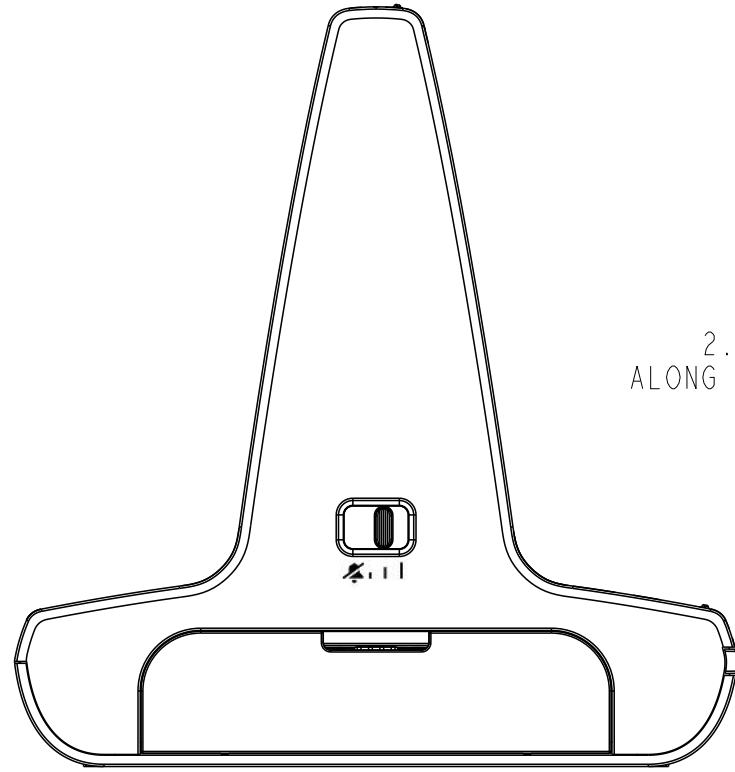
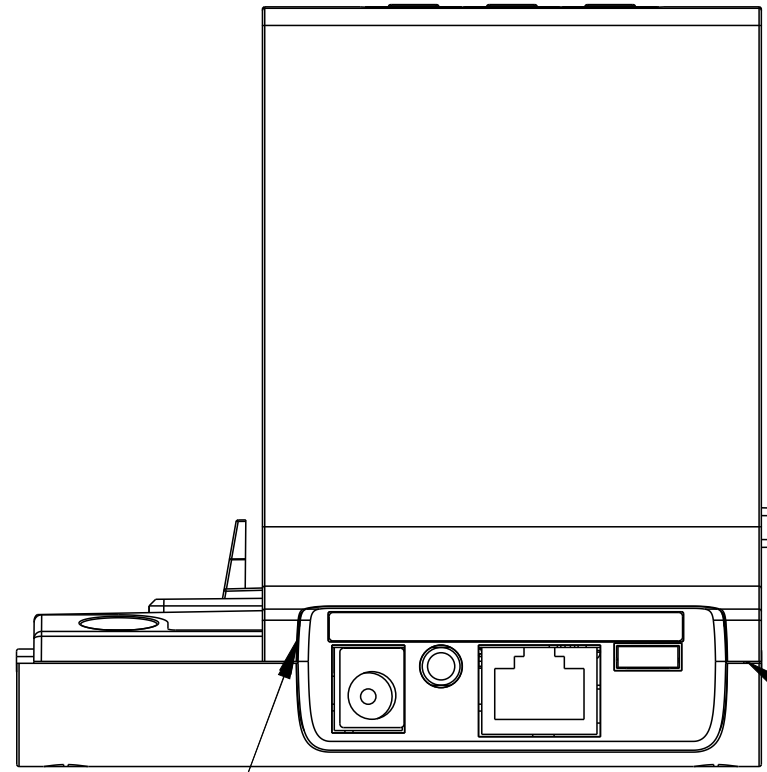
ASSEMBLY GAPS INSPECTION
FOR REFERENCE ONLY
DIMENSIONS ARE IN MM'S

PLANTRONICS RESTRICTED

C

B

A

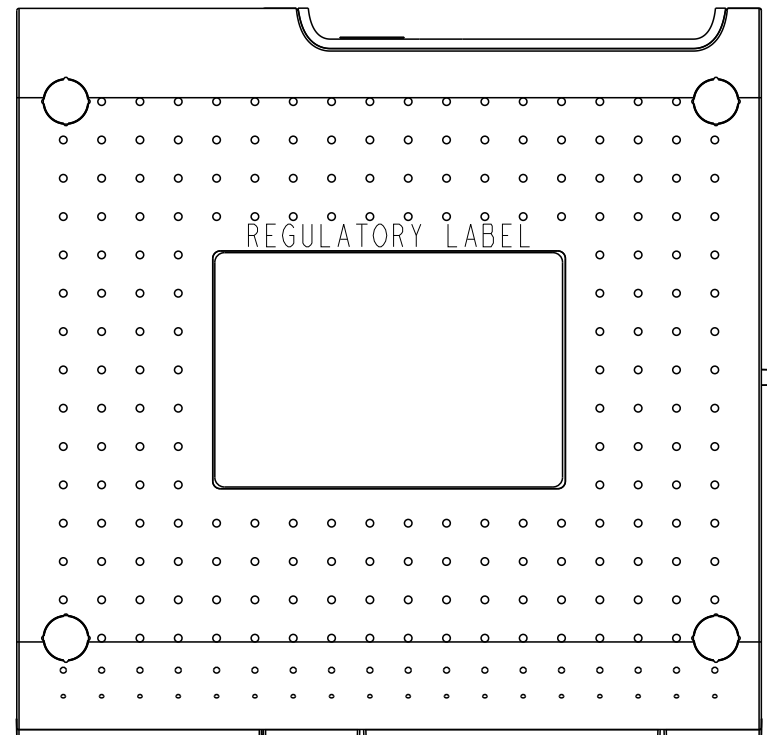


C

B

A

0.5 MAX GAP
BOTH SIDE



ORIENTATE LABEL AS SHOWN

plantronics®			
TITLE BASE ASSY, DECT 6.0, SEIRENES			
SIZE B	CAT CODE 05	DWG NO. 202605-DWG	REV. B
SCALE: 1:1			SHEET 4 OF 4

3

2

1

3

2

1