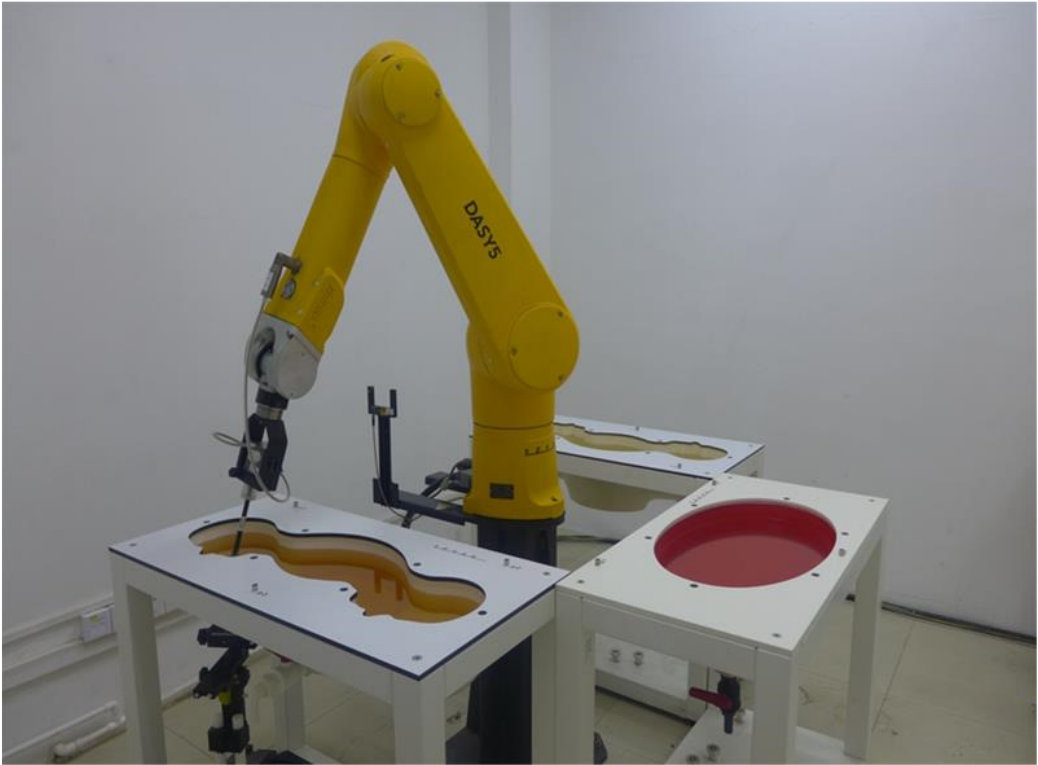


Appendix D

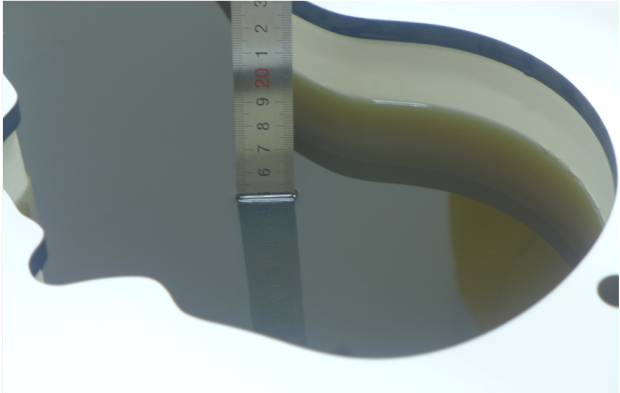
Photographs

| |
|--|
| 1. SAR measurement System |
| 2. Photographs of Tissue Simulate Liquid |
| 3. Photographs of EUT test position |
| 4. EUT Constructional Details |

1. SAR measurement System





2. Photographs of Tissue Simulate Liquid

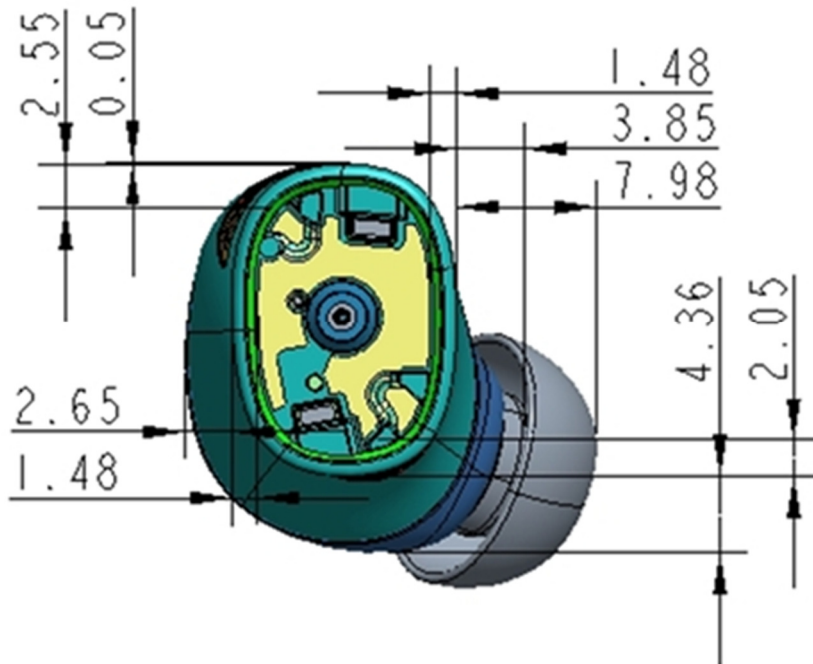
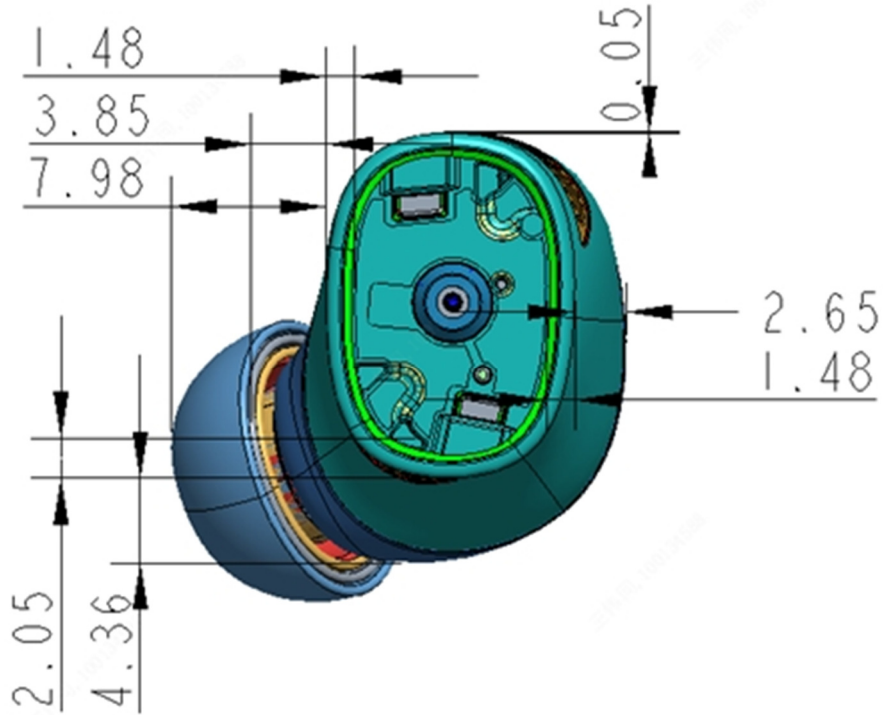
| Photo 1: Tissue Simulant Liquid for HBBL600-10000MHz | NA |
|---|----|
|  | NA |

3. Photographs of EUT test position

Right earbuds:

| | |
|---|--|
| <p>Photo 2: Top side 0mm</p> | <p>Photo 3: Back side 0mm</p> |
|  |  |
| <p>Photo 4: Left side 0mm</p> | <p>Photo 5: Right side 0mm</p> |
|  |  |
| <p>Photo 6: Touch cheek side 0mm</p> | <p>Photo 7: Bottom side 0mm</p> |
|  |  |

4. EUT Antenna Locations



5. EUT Constructional Details

Details please Refer to Appendix – External Photo & Internal Photo for SZCR2401000151AT.

-The End-