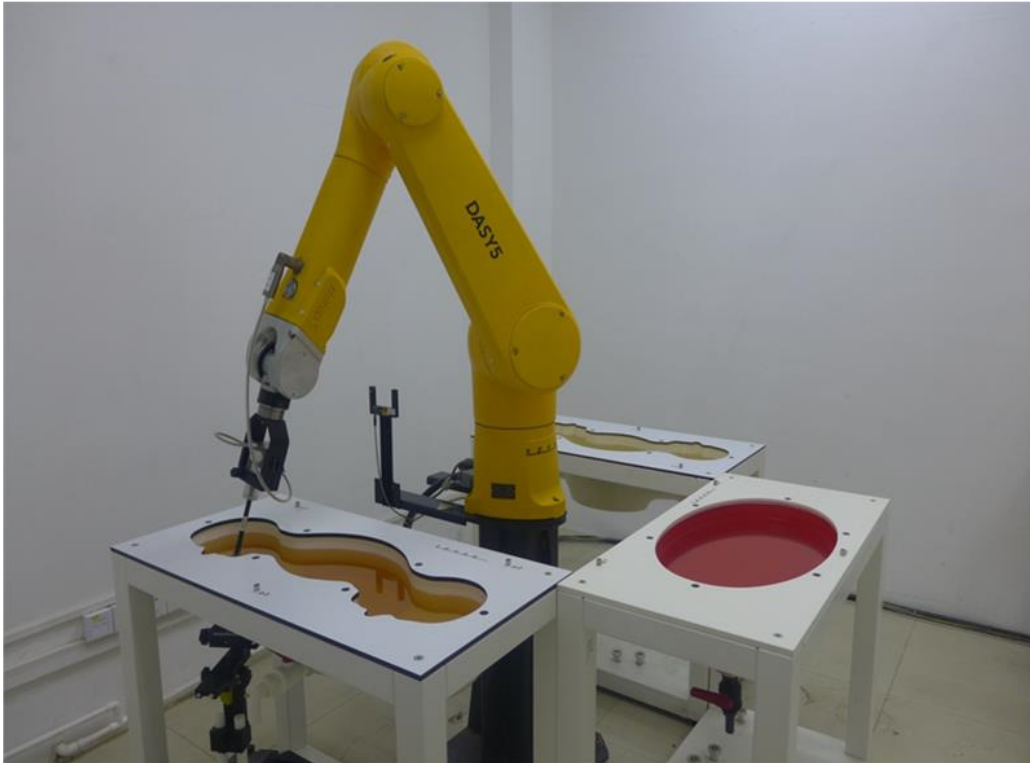


Appendix D

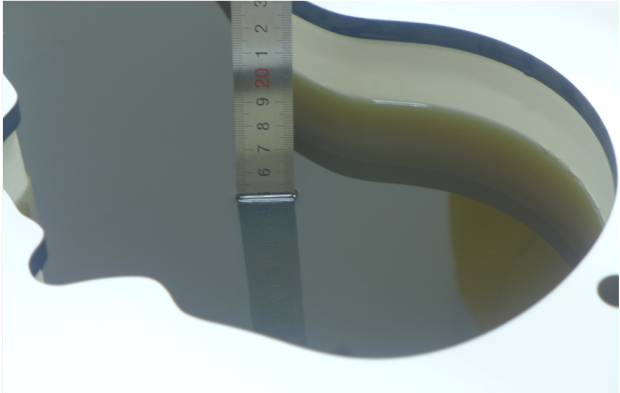
Photographs

1. SAR measurement System
2. Photographs of Tissue Simulate Liquid
3. Photographs of EUT test position
4. EUT Constructional Details

1. SAR measurement System

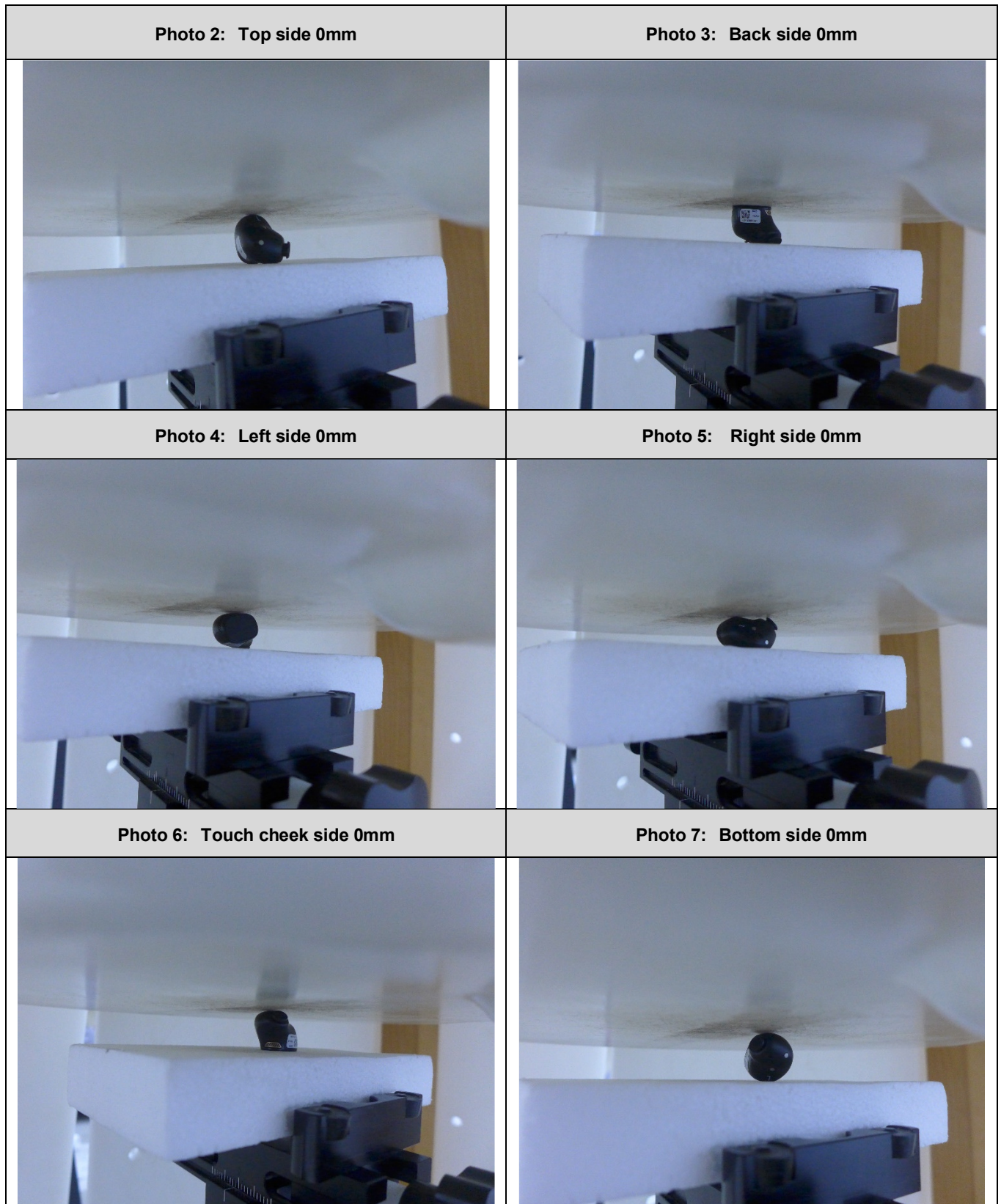


2. Photographs of Tissue Simulate Liquid

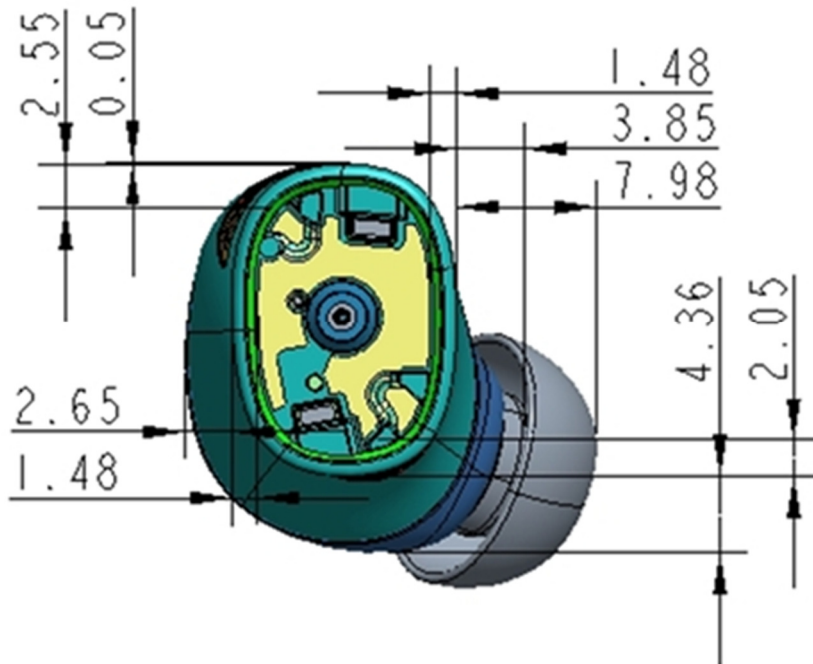
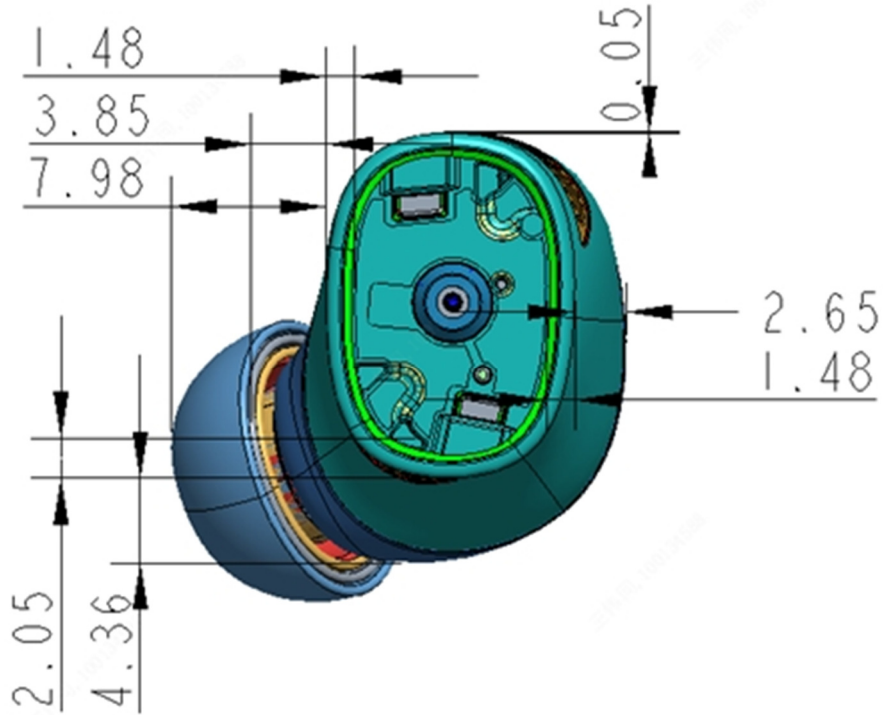
Photo 1: Tissue Simulant Liquid for HBBL600-10000MHz	NA
	NA

3. Photographs of EUT test position

Left earbuds:



4. EUT Antenna Locations



5. EUT Constructional Details

Details please Refer to Appendix – External Photo & Internal Photo for SZCR2401000151AT.

-The End-