

**sl** Simbol prečrtanega smetnjaka pomeni, da odpadne električne in elektronske opreme ter baterij ni dovoljeno odlagati kot nerazvrščene komunalne odpadke, ampak jih je treba zbirati ločeno. Za podrobnejše informacije obiščite spletno stran plantronics.com.

**sv** Den överkursade soptunnan innebär att elektriskt och elektroniskt avfall och batterier inte får kasseras med osorterat hushållsavfall, utan ska samlas in separat enligt lokala lagar och förordningar. Mer detaljerad information finns på plantronics.com.

**tr** Üzerine çarpı işareti çizilmiş bir çöp konteyneri simgesi, elektrikli ve elektronik ekipman atıklarının ve pillerin ev çöpleriyle birlikte atılmaması ve ayrı olarak toplan-ması gerektiğini belirtir. Daha ayrıntılı bilgi için plantronics.com adresini ziyaret edin.

#### Japan



この装置は、クラスB情報技術装置です。この装置は、家庭環境で使用することを目的としていますが、この装置がラジオやテレビジョン受信機に近接して使用されると、受信障害を引き起こすことがあります。

取扱説明書に従って正しい取り扱いをして下さい。 VCCI-B

#### Korea

해당 무선설비는 전파혼신 가능성이 있으므로 인명안전과 관련된 서비스는 할 수 없습니다

#### Russia



#### Turkey

EEE Yönetmeliğine Uygundur

#### Taiwan

根據NCC低功率管理辦法規定：

第十二條 經型式認證合格之低功率射頻電機，非經許可，公司、商號或使用者均不得擅自變更頻率、加大功率或變更原設計之特性及功能。

第十四條 低功率射頻電機之使用不得影響飛航安全及干擾合法通信；經發現有干擾現象時，應立即停用，並改善至無干擾時方得繼續使用。

前項合法通信，指依電信規定作業之無線電通信。低功率射頻電機須忍受合法通信或工業、科學及醫療用電波輻射性電機設備之干擾。

© 2018 Plantronics, Inc. All trademarks are the property of their respective owners.  
205370-06 12.18



Recyclable where facilities exist

# plantronics®

## Regulatory Compliance Information

### United States



### FCC Declaration of Conformity

We Plantronics, 345 Encinal Street Santa Cruz, California, 95060 USA (800) 544-4660 declare under our sole responsibility that the product RIG 700, RIG 700HS and RIG 700HX complies with Part 15 of the FCC Rules. Operation is subject to the following two conditions: (1) this device may not cause harmful interference, and (2) this device must accept any interference received, including interference that may cause undesired operation.

Changes or modifications not expressly approved by the party responsible for compliance could void the user's authority to operate the equipment.

Note: This equipment has been tested and found to comply with the limits for a Class B digital device, pursuant to part 15 of the FCC Rules. These limits are designed to provide reasonable protection against harmful interference in a residential installation. This equipment generates, uses and can radiate radio frequency energy and, if not installed and used in accordance with the instructions, may cause harmful interference to radio communications. However, there is no guarantee that interference will not occur in a particular installation. If this equipment does cause harmful interference to radio or television reception, which can be determined by turning the equipment off and on, the user is encouraged to try to correct the interference by one or more of the following measures:

- Reorient or relocate the receiving antenna.
- Increase the separation between the equipment and receiver.
- Connect the equipment into an outlet on a circuit different from that to which the receiver is connected.
- Consult the dealer or an experienced radio/TV technician for help.

This equipment complies with FCC radiation exposure limits set forth for an uncontrolled environment.

## Australia



## Canada

CAN ICES-3 (B)/NMB-3(B)

This device complies with Industry Canada licence-exempt RSS standard(s). Operation is subject to the following two conditions: (1) this device may not cause interference, and (2) this device must accept any interference, including interference that may cause undesired operation of the device. Le présent appareil est conforme aux CNR d'Industrie Canada applicables aux appareils radio exempts de licence. L'exploitation est autorisée aux deux conditions suivantes : (1) l'appareil ne doit pas produire de brouillage, et (2) l'utilisateur de l'appareil doit accepter tout brouillage radioélectrique subi, même si le brouillage est susceptible d'en compromettre le fonctionnement.

This equipment complies with IC radiation exposure limits set forth for an uncontrolled environment. Cet équipement est conforme aux limites d'exposition de radiation IC énoncés pour un environnement non contrôlé.

## Europe



**en** A crossed-out wheeeler bin symbol denotes that waste electrical and electronic equipment and batteries must not be disposed of as unsorted municipal waste, but collected separately. For more detailed information, please go to [plantronics.com](http://plantronics.com).

**bg** Задрасканият контейнер на колела означава, че непотребното електрическо

и електронно оборудване и батерии не трябва да се изхвърля с останалата част от неразделените битови отпадъци, а трябва да се събира отделно. За повече информация посетете [plantronics.com](http://plantronics.com).

**cs** Symbol přeškrtnutého kontejneru na odpady připomíná, že odpad z elektrických a elektronických zařízení a baterie se nesmí vyhazovat spolu s netříděným odpadem z domácnosti, ale je nutné je likvidovat samostatně. Podrobnější informace získáte na našich webových stránkách [plantronics.com](http://plantronics.com).

**de** Das durchgestrichene Mülltonnen-Symbol bedeutet, dass elektrische und elektronische Geräte sowie Batterien nicht im Hausmüll entsorgt werden dürfen. Sie müssen speziellen Sammelstellen zugeführt werden. Weitere Informationen erhalten Sie auf [plantronics.com](http://plantronics.com).

**el** Το σύμβολο του τροχίλου κάδου απορριμμάτων με ένα μεγάλο X μπροστά υποδηλώνει ότι ο χρησιμοποιημένος ηλεκτρικός και ηλεκτρονικός εξοπλισμός και οι μπαταρίες δεν πρέπει να απορρίπτονται ως μικτά δημόσια απόβλητα, αλλά αντίθετα θα πρέπει να συλλέγονται χωριστά. Για περισσότερες λεπτομέρειες, επισκεφθείτε τη διεύθυνση [plantronics.com](http://plantronics.com).

**es** El contenedor de basura tachado indica que los residuos de aparatos eléctricos y electrónicos no se deben desechar con los desechos municipales sin clasificar, sino que deben recogerse por separado. Para obtener más información, visite [plantronics.com](http://plantronics.com).

**fi** Roska-astian päällä oleva rasti tarkoittaa, että sähkö- ja elektroniikkaromua tai akkuja ei saa hävittää kotitalousjätteen mukana, vaan ne on toimitettava erilliseen keräyspisteeseen. Lisätietoja on

[osoitteessa plantronics.com](http://osoitteessa.plantronics.com).

**fr** Le symbole représentant une poubelle à roulettes barrée signifie que les déchets d'équipements électriques et électroniques et les batteries ne peuvent pas être mis au rebut avec le reste des déchets ménagers, mais doivent être collectés séparément. Pour de plus amples informations, consultez notre site Web à l'adresse : [plantronics.com](http://plantronics.com).

**hr** Prekrižena kanta za smeće znači da se otpadna električna i elektronička oprema i baterije ne smiju odlagati kao komunalni otpad, nego se trebaju odložiti zasebno. Detaljnije informacije potražite na stranici [plantronics.com](http://plantronics.com).

**hu** Az áthúzott szemetes jelzi, hogy az elektromos és elektronikus berendezések és az akkumulátorok nem kezelhetők válogatás nélkül, normál lakossági hulladékként, hanem külön gyűjtendő. További információkért keresse fel [weboldalunkat: plantronics.com](http://weboldalunkat.plantronics.com).

**it** L'etichetta con il simbolo di divieto su un bidone dell'immondizia, indica che le apparecchiature elettriche ed elettronica e le batterie non devono essere smaltite con i normali rifiuti, ma raccolti separatamente. Per ulteriori informazioni, visitare il sito all'indirizzo [plantronics.com](http://plantronics.com).

**lt** Perbraukto atliekų konteinerio su ratukais simbolis reiškia, kad elektros ar elektroninės įrangos bei maitinimo elementų negalima išmesti su nerūšiuotomis buitinėmis atliekomis, jas reikia surinkti atskirai. Išsamesnės informacijos ieškokite interneto svetainėje [plantronics.com](http://plantronics.com).

**lv** Pārsvītotas atkritumu tvertnes simbols nozīmē, ka lietotas elektriskās un elektroniskās iekārtas, kā arī to akumulatorus nedrīkst izlikt kopā ar nešķirotiem sadzīves atkritumiem; iekārtas un akumulatori ir jāsavāc atsevišķi. Papildinformāciju skatiet tīmekļa vietnē: [plantronics.com](http://plantronics.com).

**pl** Przekreślony pojemnik na odpady oznacza, że zużytego sprzętu elektrycznego i elektronicznego oraz baterii nie należy wyrzucać wraz z normalnymi, nieposegregowanymi odpadami gospodarstwa domowego, ale oddzielnie. Więcej informacji można znaleźć na stronie internetowej [plantronics.com](http://plantronics.com).

**pt** O símbolo do caixote do lixo com uma cruz sobreposta indica que o equipamento eléctrico e electrónico e baterias não deverão ser eliminados como resíduos municipais indiferenciados mas sim em separado. Para obter mais informações, visite [plantronics.com](http://plantronics.com).

**ro** Simbolul pubelei dublu barată denotă faptul că echipamentele electrice și electronice și bateriile nu trebuie aruncate ca gunoi menajer nesortat, ci trebuie colectate separat. Pentru informații mai detaliate, vizitați [plantronics.com](http://plantronics.com).

**ru** Значок зачеркнутого мусорного бака указывает на то, что использованное электрическое и электронное оборудование, а также элементы питания не должны утилизироваться вместе с неотсортированными бытовыми отходами; утилизация данного вида отходов должна производиться отдельно от других отходов. Для получения дополнительной информации посетите веб-сайт [plantronics.com](http://plantronics.com).

**sk** Symbol přečiarknutého odpadového kontajnera na kolieskach označuje, že odpadové elektrické a elektronické zariadenia a batérie sa nesmú likvidovať spolu s iným netriedeným komunálnym odpadom, ale musia sa zhromažďovať samostatne. Podrobnejšie informácie nájdete na webovej stránke [plantronics.com](http://plantronics.com).

# RIG 700 Series

RIG 700HD, RIG 700HS, RIG 700HX

User Guide

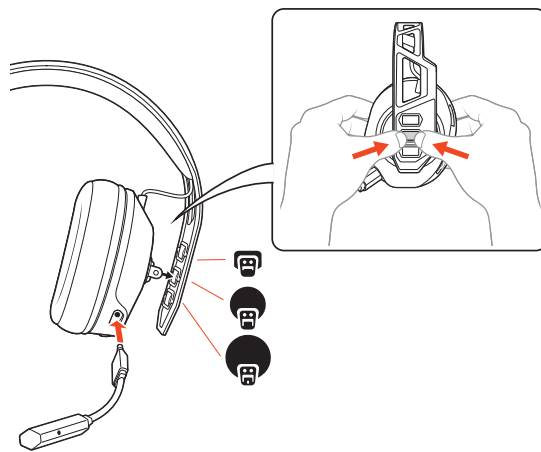
# Contents

|                       |   |
|-----------------------|---|
| Setup and basics      | 3 |
| Fit                   | 3 |
| Setup PS4             | 3 |
| Setup Xbox One        | 4 |
| Setup PC              | 4 |
| Adjust volume         | 4 |
| Charge                | 5 |
| Mute                  | 5 |
| Adjust mic monitoring | 6 |
| 7                     |   |

# Setup and basics

Your adapter comes pre-paired to your headset. After you adjust and charge your headset and configure your adapter, power on your headset and it's ready to go.

- Fit** Your headset components easily snap into the headset frame to configure the best fit and sound. The headband adjusts to three sizes (small, medium, large) by moving the earcups. To remove an earcup, press the earcup to detach it from the headband.

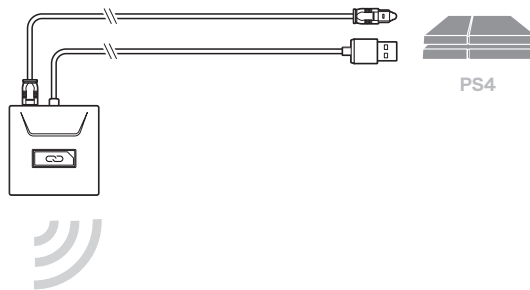


**NOTE** Headband style may vary.

## Setup PS4

### PS4

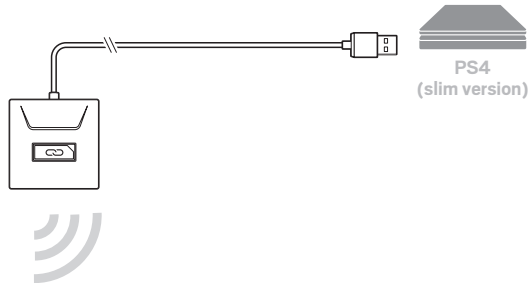
- 1 Connect your adapter to your system.



- 2 Power on your PS4 and Check for updates
- 3 Go to Settings > Sound and Screen > Audio Output Settings > Select Digital Out (Optical)
- 4 Go to Settings > Devices > Audio Devices > Output Devices Select Plantronics RIG800XX

### PS4 (slim version)

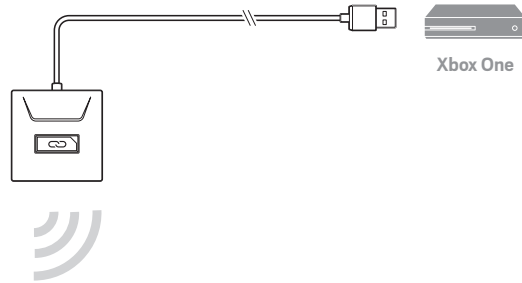
- 1 Connect your adapter to your system.



- 2 Power on your PS4 and **Check for updates**
- 3 Go to **Settings > Devices > Audio Devices > Output Devices** Select Plantronics RIG800XX
- 4 Go to **Settings > Devices > Audio Devices > Output to headphones > All audio**

#### Setup Xbox One

- 1 Connect your adapter to your system.

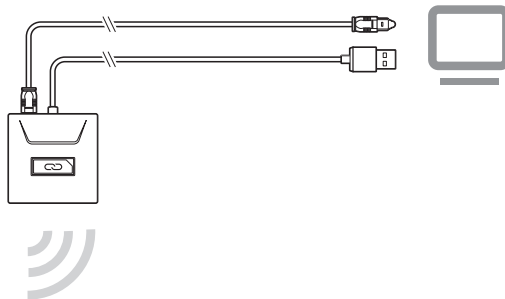


**NOTE** Ensure the switch on the back of the adapter is set to your preference: console or PC.

- 2 Power on your Xbox One and **Check for updates**
- 3 To adjust system audio settings, check your console user guide.

#### Setup PC

- 1 Connect your adapter to your system.



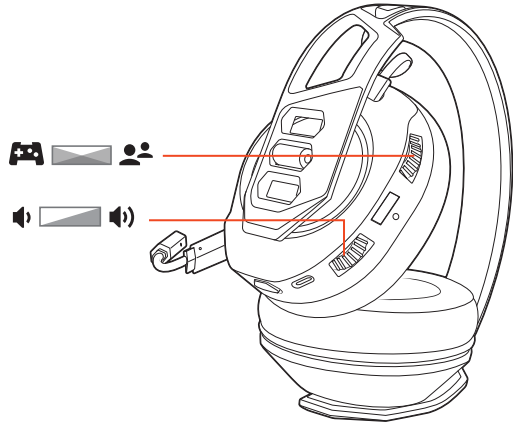
**IMPORTANT** Optical cable connection is only for RIG 700HD and RIG 700HS.

**NOTE** Optical cable is not provided in RIG 700HD.

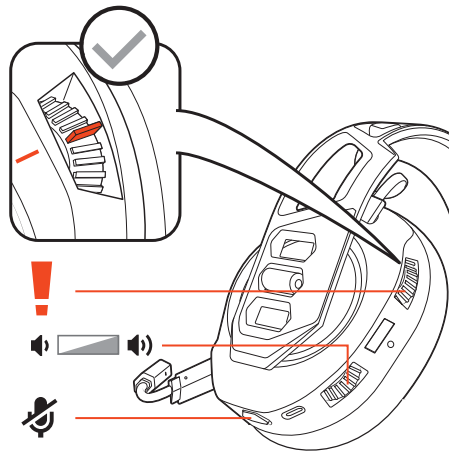
- 2 **RIG 700HX only:** Ensure the switch on the back of the adapter is set to "PC."

#### Adjust volume

- 1 To increase or decrease the game and chat volume, adjust the top headset dial.
- 2 To increase or decrease the master volume, adjust the bottom headset dial.

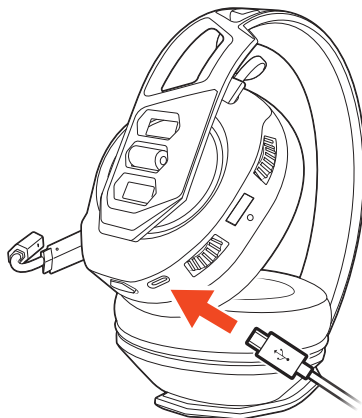


**IMPORTANT** For the PS4 (slim version), set the top headset dial in the middle; game and chat remain balanced. Use the bottom headset dial to increase or decrease the master volume.



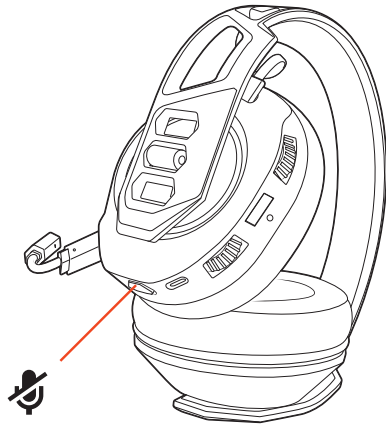
**Charge**

It takes 2 hours to fully charge the headset. The headset LED turns off once charging is complete.



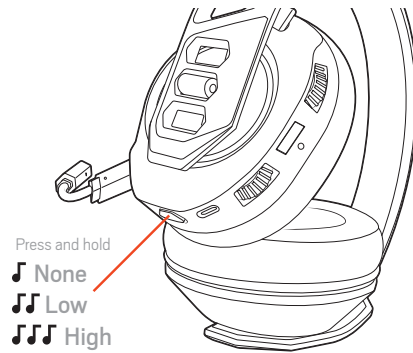
**Mute**

Tap the Mute button to mute or unmute your headset.



### Adjust mic monitoring

Press and hold the Mute button to cycle through mic monitoring levels. Mic monitoring lets you hear your own voice in the headset.



| Press and hold the Mute button and hear | Mic monitoring level |
|---|----------------------|
| one tone                                | None                 |
| two tones                               | Low                  |
| three tones                             | High                 |



**NEED MORE HELP?**

**[plantronics.com/support](https://plantronics.com/support)**

© 2019 Plantronics, Inc. All trademarks are the property of their respective owners. 03.19