

Final Approval Checklist and Signatures

Please note Final approval requires the examination of a printed proof or comp, in addition to quality control of electronic file.

PRODUCTION QUALITY CONTROL (Production Manager or Production Quality Specialist)

- Template (if used): PM or PQS confirms that art file specs match appropriate template in all details **APPROVAL SIGNATURE:** Name: DDDMMY
- Text
 - Spellcheck performed
 - Double spaces deleted
 - Smart quotes used. No straight quotes or apostrophes
 - Soft and hard returns used correctly (Type > Show Hidden Characters)
- Fonts
 - Consistent spacing, font sizes, and leading used (style sheets if applicable)
 - No artificial bold or italic
- Color space and varnishes
 - ai file is in CMYK color mode (File > Document Color Mode)
 - All colors in swatch palette not used in actual art have been deleted, including Black and White
 - No RGB inks
 - Inks/finishes specified and verified: PMS swatches pulled and confirmed; number of inks verified with PMX and/or SCZ project manager
 - Ink overprinting checked (Attributes)
 - Black – If art contains photography, all Pantone Black has been converted to 100K
 - Rich black (if used) is C42 M42 Y52 K100; not used behind small text
- Slug
 - Ink/finish names match swatch names
 - Updated art: revisions accurately noted
- Layers
 - Layers are correctly organized and labeled; separate layers for slug, die line, inks, foil, spot finishes
 - "Do Not Print" layers are properly identified and turned off/on
 - Artwork layer contains only art
- Bleed
 - .125" bleed
 - Non-bleeding elements maintain safe distance from dieline and folds (minimum .125")
- Links
 - 300 ppi images, sized and/or rotated in Photoshop
 - no RGB links
- Stray points and elements deleted
- Measurements from original drawing deleted

FINAL FILE PREP (Production Manager or Production Quality Specialist)

- File reviewed by second designer **APPROVAL SIGNATURE:** C.Lara ECO
- Pre-flight performed using Markzware or similar software
- Final zipped archive contains:
 - ai
 - .eps (with outlined fonts)
 - from .eps: high res PDF (PDF/X-1a:2001)
 - if using spot varnishes or foil: from .eps: low res PDF, one page for each layer
 - from .ai: low res PDF with non-outlined fonts
 - fonts
 - links

plantronics

Project: Explorer 500 Series Get Started Guide (Shasta)
Date: 112514
Component: folded, getting started guide

File Name: 86993-91_Exp_500_GSG_en.ai
Art Master Number: 86993-91
Part Number: 86992-91

Scale: 1:1
Resolution: 300dpi

Placed Links:

Fonts: Gesta (Light, Reg, Med, Bold), Bryant Reg

Software: CS6
Printing Method: Offset lithography

Inks

- Black
- Pantone Cool Gray 8C
- Matte varnish

Lamination

None

Foil

None

Original Designer: Jim Tasker
E-mail: jim.tasker@plantronics.com
Phone: 831-458-7499

Revisions: Name
E-mail: name@plantronics.com
Phone: XXX-XXX-XXXX

Changes to art after approval: Include date and brief description

Dieline:
[121914] jtasker - Added Model ID# to back cover

Color:
[DDMMYY] NameInitials - Reason

Photography:
[DDMMYY] NameInitials - Reason

Text:
[031214] Jim T - Reason: 1) Enhance leader line in Take Control illustration. 2) Changed App text

Other:
[DDMMYY] NameInitials - Reason



ห้ามใช้กระดาษพิมพ์และอุปกรณ์ที่มีสีหรือหมึกสีอื่นมาใช้ทำงานพิมพ์ใดๆ

Art Master Number: 86993-91

NEED MORE HELP?

Read the guides for setup, use and safety. For more help, don't return to the store; find a local phone support number at plantronics.com/support



FCC Regulatory Information
This device complies with part 15 of the FCC Rules. Operation is subject to the following two conditions: (1) This device may not cause harmful interference, and (2) this device must accept any interference received, including interference that may cause undesired operation. Changes or modifications not expressly approved by the party responsible for compliance could void the user's authority to operate the equipment. This equipment complies with FCC radiation exposure limits set forth for an uncontrolled environment.

© 2014 Plantronics, Inc. DeepSleep, Plantronics, Plantronics Explorer and Simply Smarter Communications are trademarks of Plantronics, Inc. registered in the US and other countries, and Explorer and Plantronics Hub are trademarks of Plantronics, Inc. Bluetooth trademarks are owned by Bluetooth SIG, Inc., any use by Plantronics, Inc. is under license. All other trademarks are the property of their respective owners.
Patents: US 5,712,453; 0777,771; patents pending.

pb86992-91 12.14 MODEL ID: MTE15 Recycle where facilities exist

DECIPHER THE LIGHTS

Your headset has an indicator light that flashes in response to a change in status or after a button press.

- Some examples of what you will see are:
 - Solid red until charging complete and then off
 - Flashing red and blue during pairing
 - Triple red flash when less than 10 minutes of talk time
 - Triple blue flash at incoming call

HEAR IT WHISPER

Your headset tells you about status changes. For example:

- "Power on"
- "Pairing successful"
- "Talk time (x) hours"
- "Mute on"
- "Incoming call"
- "Answering call"
- "Phone disconnected"
- "Recharge headset"

USE TWO PHONES

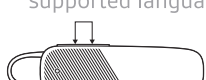
Multipoint technology lets you pair a second phone and answer calls from either phone.

- 1 Power on your headset.
- 2 Press and hold the Call button until the indicator light flashes red and blue or you hear "pairing."
- 3 While the indicator light flashes red and blue, activate Bluetooth on your phone and set it to search for new devices.
- 4 Select "PLT_E500."

If necessary, enter passkey 0000 and accept the connection. Once successfully paired, the indicator light stops flashing and you hear "pairing successful."

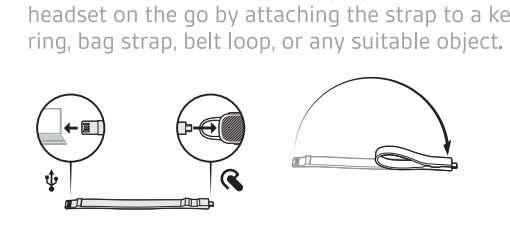
SELECT LANGUAGE

Once your headset is paired and connected to your phone, you can change the headset language.

- 1 Wearing your headset, power it on.
 - 2 Press and hold the Volume up and down buttons together until you hear "welcome." The language selection directions repeat in every supported language.
- 
- 3 Follow the voice-guided prompts to select the headset language.

CHARGE HEADSET

You may charge your headset using the included USB charging strap connected to any powered USB port. When finished charging, take your headset on the go by attaching the strap to a key ring, bag strap, belt loop, or any suitable object.



INSTALL THE APP

Get the most from your headset by installing our free mobile app, Plantronics Hub for iOS/Android. Explore all of your headset's features, view instructions, and contact Plantronics support easily from your smartphone.

plantronics.com/apps



GET STARTED

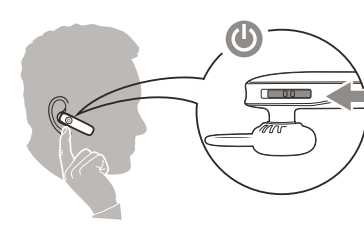
EXPLORER 500 SERIES

Designed in Santa Cruz, California

GET PAIRED

The first time you power on your headset, it begins the pairing process.

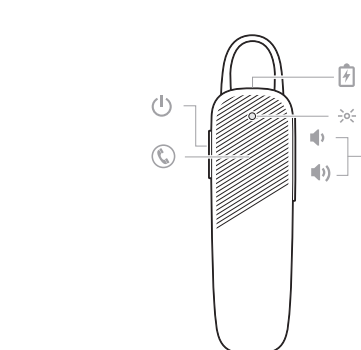
- 1 Wearing your headset, power it on. You hear "pairing" and the headset indicator lights flash blue and red.



2 Activate Bluetooth™ on your phone and set it to search for new devices.

- **iPhone** Settings > Bluetooth > On*
 - **Android**™ > Bluetooth: On > Scan for devices*
*Menus may vary by device.
- 3 Select "PLT_E500." If necessary, enter four zeros (0000) for the passcode or accept the connection. Once successfully paired, you hear "pairing successful" and the headset indicator lights stop flashing.

TAKE CONTROL



NOTE: Headset pattern may vary

Answer a call

Tap the Call button .

End a call

Tap the Call button .

Reject incoming call

Press Call button for 2 seconds.

Adjust the volume

Tap the Volume up or down button.

Mute or unmute headset

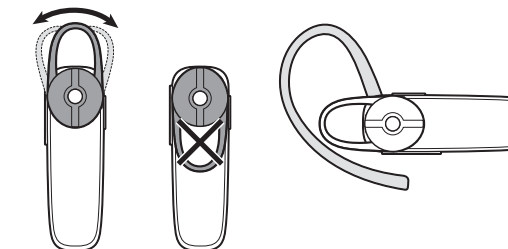
During a conversation, press and hold both the Volume up and Volume down buttons until you hear "mute on" or "mute off." While the microphone is muted, a reminder tone repeats every 15 minutes.

Redial

To call your last number dialed, double tap the Call button .

ADJUST THE FIT

The universal-fit eartip has a thin loop that bends to gently tuck into the contours of either ear. To adjust the fit, you can rotate the eartip on the headset or add the optional clip-on earloop.



DEEPSLEEP

If you leave your headset powered on but out of range of your paired phone for more than 120 minutes, your headset will conserve its battery power by entering into a DeepSleep mode. Once back in range with your phone, tap the Call button to exit DeepSleep mode. If your phone is also ringing, tap the Call button again to answer your call.