

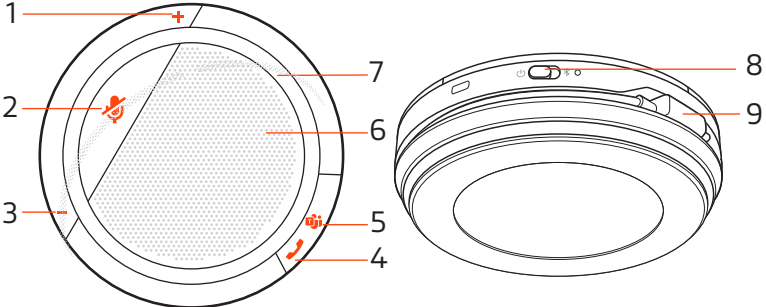
Calisto 5300 Speakerphone

User Guide

Contents

Overview	3
Pair	4
Configure	4
Daily Use	5
Power	5
Answer or End a call	5
Mute/Unmute	5
Volume	5
Microsoft Teams button	5
Support	6

Overview



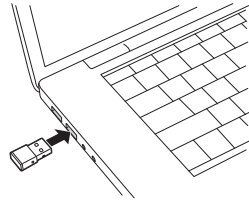
- 1 Volume up
- 2 Mute
- 3 Volume down
- 4 Call button
- 5 Microsoft Teams button

- 6 Speaker
- 7 Indicator light
- 8 USB cord
- 9 Power/Bluetooth button

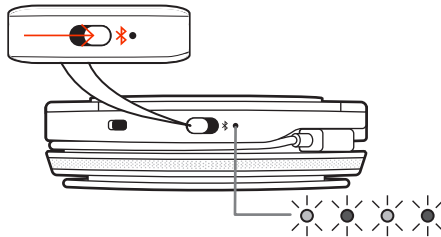
Pair

To pair your Calisto 5300 speakerphone to your computer, do the following:

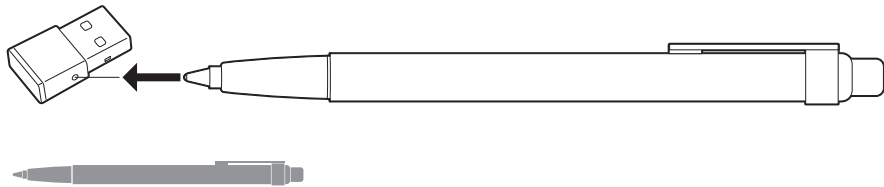
- 1 Insert the USB adapter into your laptop or computer and wait for your computer to recognize it.



- 2 Press the Bluetooth button to the right for 2 seconds. The indicator light flashes red and blue.



- 3 Put your USB adapter into pair mode by pressing the recessed Pair button. The USB adapter flashes red and blue.



Pairing is successful when you hear "pairing successful" and "PC connected" and the USB adapter LED is solid blue.

Configure

Your USB adapter comes ready to take calls. If you want to listen to music, you need to configure your USB adapter.

Windows

To configure your USB adapter to play music, go to Start menu > Control Panel > Sound > Playback tab. Select **Plantronics BT600**, set it as the Default Device and click OK.

To pause music when you place or receive calls, go to Start menu > Control Panel > Sound > Communications tab and select the desired parameter.

Mac

To configure the USB adapter, go to Apple menu > System Preferences > Sound. On both the Input and Output tabs, select **Plantronics BT600**.

Daily Use

Power

Push the power button to the right to power on. The indicator light on the speakerphone will illuminate white and you will hear "Power On" and a battery status.



Status	Talk time	Indicator
Battery high	Greater than 12 hours	"Battery high"
Battery medium	Less than 12 hours, greater than 2 hours	"Battery medium"
Battery low	Less than 2 hours, greater than 30 minutes	"Battery low" played at less than 2 hours talk time
Battery critical	Equal to or less than 30 minutes	30 minutes, "Battery low" repeated every 15 minutes 10 minutes, "Battery low" repeated every 5 minutes 0 minutes "Power off" played once

Answer or End a call

A short press of the Call button answers or ends a call.

Mute/Unmute

A short press of the Mute button mutes or unmutes the microphones.

Volume

Press the up (+) or down (-) volume buttons for the desired volume.

Microsoft Teams button

Press the Teams button to launch Microsoft Teams.

NOTE *The Microsoft Teams app must be installed.*

Support

NEED MORE HELP?

plantronics.com/support

plantronics®
Simply Smarter Communications™

Plantronics, Inc.

345 Encinal Street
Santa Cruz, CA 95060
United States

Plantronics BV

Scorpius 171
2132 LR Hoofddorp
Netherlands

© 2019 Plantronics, Inc. Bluetooth is a registered trademark of Bluetooth SIG, Inc. and any use by Plantronics, Inc. is under license. All trademarks are the property of their respective owners.

216075-06 (10.19)