

# Request for FCC Class II Permissive Change

# Request for ISED Class II Permissive Change

FCC ID: AL8-B825

Date: 2021-11-10

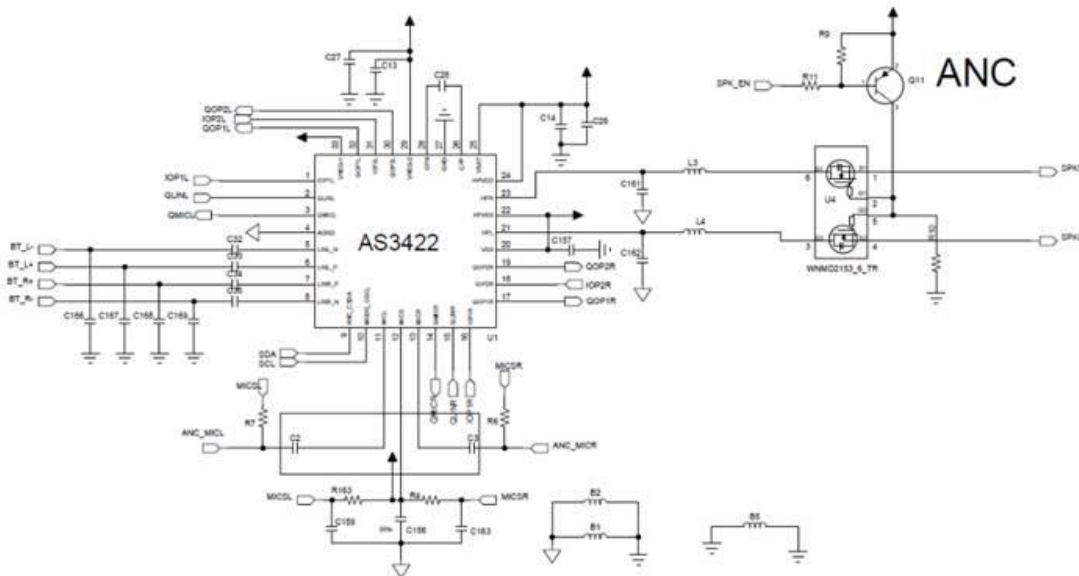
IC: 457A-B825

TO: Federal Communication Commission & Innovation, Science and Economic Development Canada (ISED)

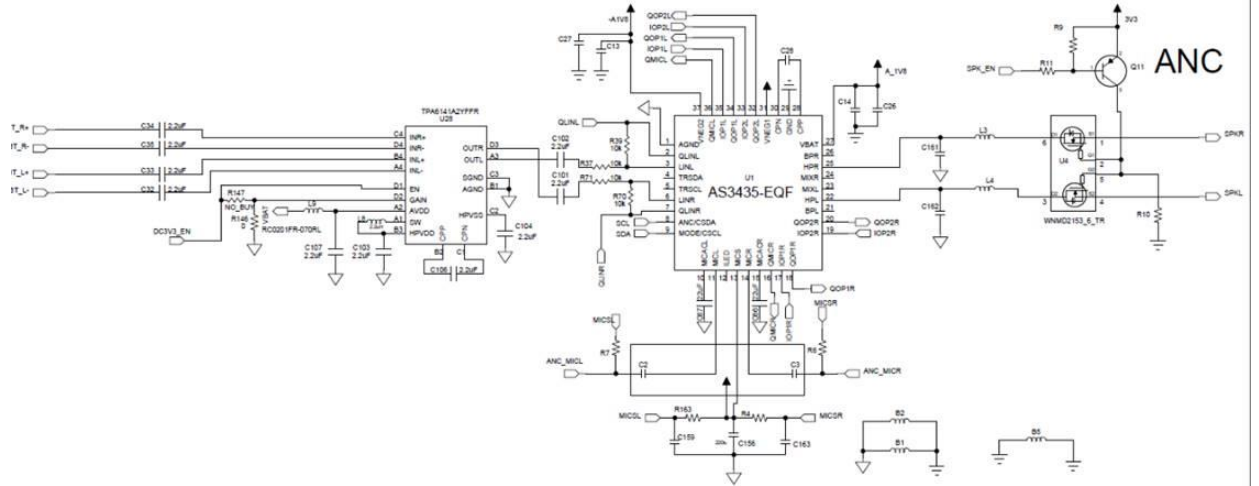
This is to request for Class II permissive change for FCC ID: AL8-B825, originally granted on 2015/2/13, and ISED Class II Permissive Change for IC: 457A-B825, originally granted on 2015/2/12

This application is based on:

1. Changes are on the ANC area of the schematic. Previous ANC circuit was simpler and looked like the image below:



For 219930-01 U28 was added and U1 was replaced with the new ANC chip, this added additional passive components around this two ICs.



ANC circuit is about acoustics, it's in new circuit diagram, and has no effect on RF Characteristic.

Signature:

Mark Lawson / Director, Global Compliance  
Plantronics, Inc.