


Wireless Noise Canceling Stereo Headset

Casque stéréo sans fil à réduction de bruit


Reference Guide
Guide de référence
Guía de referencia

ULT WEAR

Model, Modèle, Modelo: YY2981

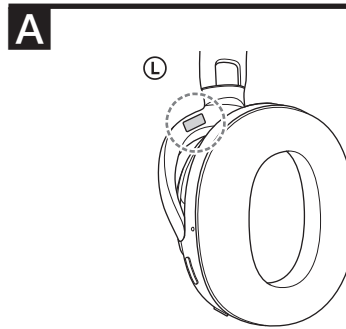


START



https://rd1.sony.net/help/mdr/2981/h_zz/

©2024 Sony Corporation
Printed in China
Imprimé en Chine
<https://www.sony.net/>



English

Wireless Noise Canceling Stereo Headset

Model: YY2981

The term "product" in this document refers to the unit or its accessories.

FOR UNITED STATES CUSTOMERS. NOT APPLICABLE IN CANADA, INCLUDING IN THE PROVINCE OF QUEBEC.

POUR LES CONSOMMATEURS AUX ÉTATS-UNIS. NON APPLICABLE AU CANADA, Y COMPRIS LA PROVINCE DE QUÉBEC.

Owner's Record

Record the model and serial numbers in the spaces provided below and store them safely.

Refer to them whenever you call your Sony dealer regarding this product.

Model No. _____

Serial No. _____

The model and serial numbers to be recorded are located in the following places.

- Model No.: Inside of the headband
- Serial No.: See Fig. A

Do not install the product in a confined space, such as a bookcase or built-in cabinet.

Do not expose the batteries (battery pack or batteries installed) to excessive heat, such as sunshine, fire or the like, for a long time. Do not subject the batteries to extreme low temperature conditions that may result in overheating and thermal runaway.

Do not dismantle, open, or shred secondary batteries.

In the event of a secondary battery leaking, do not allow the liquid to come in contact with the skin or eyes. If contact has been made, wash the affected area with copious amounts of water and seek medical advice. Secondary batteries need to be charged before use. Always refer to the manufacturer's instructions or product manual for proper charging instructions.

After extended periods of storage, it may be necessary to charge and discharge the secondary batteries several times to obtain maximum performance.

Dispose of properly.

RECYCLING RECHARGEABLE BATTERIES

You can help preserve our environment by returning your used rechargeable batteries to the collection and recycling location nearest you.

For more information regarding recycling of rechargeable batteries, visit www.sony.com/ecotrader

Caution: Do not handle damaged or leaking rechargeable batteries.

FOR UNITED STATES CUSTOMERS. NOT APPLICABLE IN CANADA, INCLUDING IN THE PROVINCE OF QUEBEC.

POUR LES CONSOMMATEURS AUX ÉTATS-UNIS. NON APPLICABLE AU CANADA, Y COMPRIS LA PROVINCE DE QUÉBEC.

You are cautioned that any changes or modifications not expressly approved in this manual could void your authority to operate this unit.

If you have any questions about this product:

Visit: <https://www.sony.com/electronics/support>

Contact: Sony Customer Information Service Center at 1-800-222-7669

Supplier's Declaration of Conformity

Trade Name: SONY

Model: YY2981

Responsible Party: Sony Electronics Inc.

Address: 16535 Via Esprillo, San Diego, CA 92127 U.S.A.

Telephone Number: 858-942-2230

This device complies with part 15 of the FCC Rules. Operation is subject to the following two conditions:
(1) This device may not cause harmful interference, and
(2) this device must accept any interference received, including interference that may cause undesired operation.

NOTE:

This unit has been tested and found to comply with the limits for a Class B digital device, pursuant to Part 15 of the FCC Rules. These limits are designed to provide reasonable protection against harmful interference in a residential installation. This unit generates, uses, and can radiate radio frequency energy and, if not installed and used in accordance with the instructions, may cause harmful interference to radio communications. However, there is no guarantee that interference will not occur in a particular installation. If this unit does cause harmful interference to radio or television reception, which can be determined by turning the unit off and on, the user is encouraged to try to correct the interference by one or more of the following measures:

- Reorient or relocate the receiving antenna.
- Increase the separation between the unit and receiver.
- Connect the unit into an outlet on a circuit different from that to which the receiver is connected.
- Consult the dealer or an experienced radio/TV technician for help.

This unit must not be co-located or operated in conjunction with any other antenna or transmitter.

For customers in Canada

This unit contains licence-exempt transmitter(s)/receiver(s) that comply with Innovation, Science and Economic Development Canada's licence-exempt RSS(s). Operation is subject to the following two conditions:

- (1) This unit may not cause interference; and
- (2) This unit must accept any interference, including interference that may cause undesired operation of the unit.

This unit complies with FCC/ISED radiation exposure limits set forth for an uncontrolled environment and meets the FCC radio frequency (RF) Exposure Guidelines and RSS-102 of the ISED radio frequency (RF) Exposure rules as this unit has very low levels of RF energy.

High volume may adversely affect your hearing.

Do not use the unit while walking, driving, or cycling. Doing so may cause traffic accidents.

Do not use in hazardous areas unless the surrounding sound can be heard.

The unit is not waterproof. If water or foreign matter enters the unit, it may result in fire or electric shock. If water or foreign matter enters the unit, stop use immediately and consult your nearest Sony dealer. In particular, be careful in the following cases.

- When using the unit near a sink or liquid container
Be careful that the unit does not fall into a sink or container filled with water.
- When using the unit in the rain or snow, or in humid locations
- When using the unit while you are perspiring
If you touch the unit with wet hands, or put the unit in the pocket of a damp article of clothing, the unit may get wet.

For details on the effects of contact with the human body from the mobile phone or other wireless devices connected to the unit, refer to the instruction manual of the wireless device.

Never insert the USB plug when the unit or charging cable is wet. If the USB plug is inserted while the unit or charging cable is wet, a short circuit may occur due to liquid (tap water, seawater, soft drink, etc.) or foreign matter on the unit or charging cable, and cause abnormal heat generation or malfunction.

This product has magnet(s) which may interfere with pacemakers, programmable shunt valves for hydrocephalus treatment, or other medical devices. Do not place this product close to persons who use such medical devices. Consult your doctor before using this product if you use any such medical device.

Note about static electricity

If you use the unit when the air is dry, you may experience discomfort due to static electricity accumulated on your body. This is not a malfunction of the unit. You can reduce the effect by wearing clothes made of natural materials that do not easily generate static electricity.

IMPORTANT

The factory default setting of the voice guidance for this unit is English. The voice guidance can be heard from the unit in the following situations:

- When the remaining battery level is low and recharge is recommended: "Low battery"
- When automatically turning off due to low battery: "Battery is empty"
- When checking the remaining battery level by pressing the POWER button while the unit turns on: "Battery fully charged" / "Battery about 90%" / "Battery about 80%" / "Battery about 70%" / "Battery about 60%" / "Battery about 50%" / "Battery about 40%" / "Battery about 30%" / "Battery about 20%" / "Battery about 10%"
- When entering pairing mode: "Pairing"

Precautions

The two-dimensional code or the URL on the cover will help you access the help guide that describes useful notes or procedures in details.

On BLUETOOTH® communications

- Microwaves emitting from a Bluetooth device may affect the operation of electronic medical devices. Turn off this unit and other Bluetooth devices in the following locations, as it may cause an accident:
 - in hospitals, near priority seating in trains, locations where inflammable gas is present, near automatic doors, or near fire alarms.
- The audio playback on this unit may be delayed from that on the transmitting device, due to the characteristics of Bluetooth wireless technology. As a result, the sound may not be in sync with the image when viewing movies or playing games.

On charging the unit

- Be sure to use the supplied USB Type-C cable.

Notes on wearing the unit

- Because the headphones achieve a tight seal over the ears, forcibly pressing them against your ears or quickly pulling them off can result in eardrum damage. When wearing the headphones, the speaker diaphragm may produce a click sound. This is not a malfunction.

Other notes

- When you use the unit as wired headphones, use the supplied headphone cable only. Make sure that the headphone cable is firmly inserted.
- Do not apply weight or pressure to the unit for long periods, including when it is stored, as it may cause deformation.
- If you experience discomfort while using the unit, stop using it immediately.
- If you have any questions or problems concerning this unit that are not covered in this manual, please consult your nearest Sony dealer.

Location of the serial number label

See Fig. A

Specifications

Headset

Power source:

DC 5 V (Using a commercially available USB AC Adaptor)
Using built-in lithium-ion batteries (Product Operation Power: DC 3.85 V)

Operating temperature:

0 °C to 40 °C (32 °F to 104 °F)

Rated power consumption:

3 W

Mass:

Approx. 255 g (9 oz)

Included items:

Wireless Noise Canceling Stereo Headset (1)
USB Type-C® cable (USB-A to USB-C®) (1)
Headphone cable (1)
Carrying case (1)
Documents (1 set)

Communication specification

Communication system:

Bluetooth Specification version 5.2

Output:

Bluetooth Specification Power Class 1

Frequency band:

2.4 GHz band (2,400 GHz - 2,483.5 GHz)

Design and specifications are subject to change without notice.

System requirements for battery charge using USB

USB AC adaptor:

A commercially available USB AC adaptor capable of supplying an output current of 0.5 A (500 mA) or more.

- Do not use a USB adaptor that exceeds the maximum output of 13 W (5 V, 2.6 A).

Trademarks

- The Bluetooth® word mark and logos are registered trademarks owned by Bluetooth SIG, Inc. and any use of such marks by Sony Group Corporation and its subsidiaries is under license.
- USB Type-C® and USB-C® are registered trademarks of USB Implementers Forum.
- LDAC and LDAC logo are trademarks of Sony Group Corporation or its affiliates.
- All other trademarks and registered trademarks are trademarks or registered trademarks of their respective holders. In this manual, ™ and ® marks are not specified.

Licenses

- This product contains software that Sony uses under a licensing agreement with the owner of its copyright. We are obligated to announce the contents of the agreement to customers under requirement by the owner of copyright for the software. Please access the following URL and read the contents of the license.
<https://rd1.sony.net/help/mdr/sl/24/>
- Services offered by third parties may be changed, suspended, or terminated without prior notice. Sony does not bear any responsibility in these sorts of situations.

