

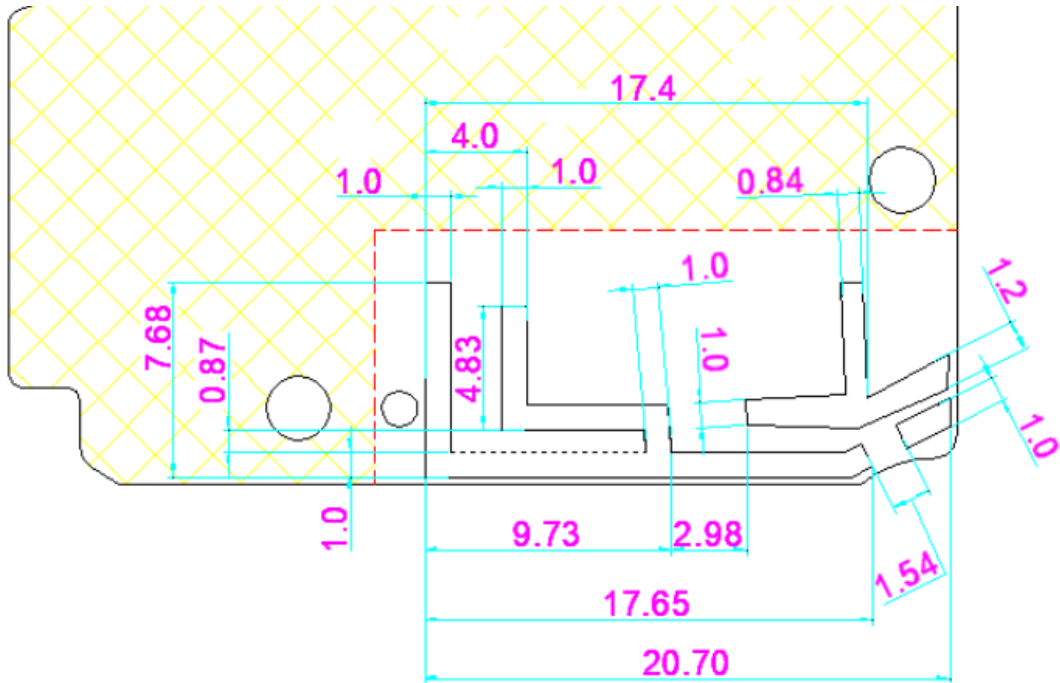
SONY YY2981 Headset Antenna report

Applicant	1.HUIZHOU CHINA EAGLE ELECTRONIC TECHNOLOGY CO LTD 2. GUANDONG KINGSHINE ELECTRONIC TECHNOLOGY CO LTD
Address	1.Zhongjing Road,Chenjiang Street,Zhongkai Hi-tech Zone, Huizhou City,Guangdong Province 2. Longshan Eight Road,West District of Daya Bay Huizhou, Guangdong Sheng 516083 China

Manufacturer or Supplier	1.HUIZHOU CHINA EAGLE ELECTRONIC TECHNOLOGY CO LTD 2. GUANDONG KINGSHINE ELECTRONIC TECHNOLOGY CO LTD
--------------------------	--

Address	<p>1.Zhongjing Road,Chenjiang Street,Zhongkai Hi-tech Zone, Huizhou City,Guangdong Province</p> <p>2. Longshan Eight Road,West District of Daya Bay</p> <p>Huizhou, Guangdong Sheng 516083</p> <p>China</p>
Product	HDX2981 Headset ANT
Brand Name	SONY
Model	NA
Max. Peak Gain	2.48dBi
Date of tests	2023-08-21
Tested by Chunlei Zhao	Approved by Qin Cai
	

1. Antenna Size (mm)



2. Antenna photo (Please refer to Antena photos document)

3. Test setup photo (Please refer to Antena photos document)

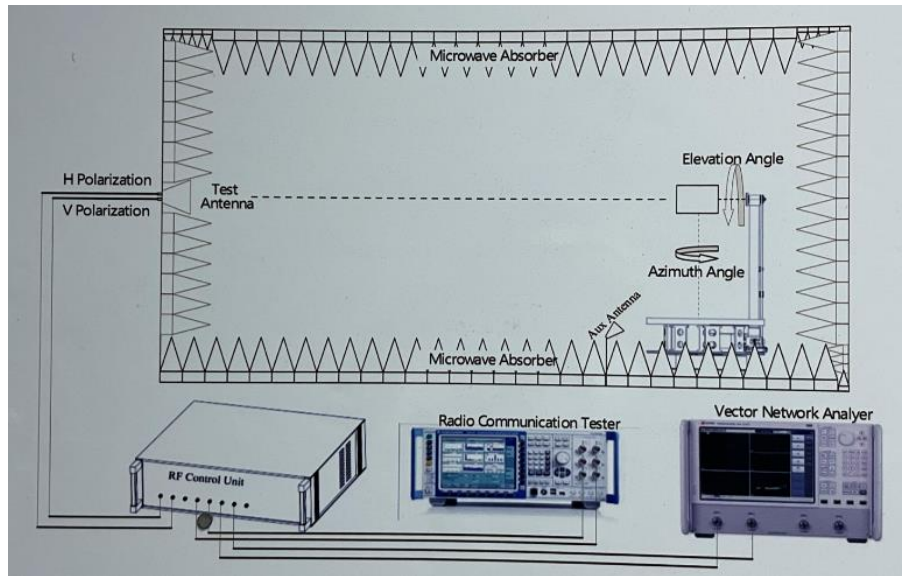
4. Test standard

Name	Parameter	Method	Standard no.
Antenna performance	Radiation efficiency	IEEE Standard Test Procedures for Antennas	ANSI/IEEE Std 149-1979

5. Equipment list

Equipment	Manufacturer	Model No	Serial No.	Last Cal.	Due Date
Network Aanalyzer	Agilent	E5071C	MY46630767	2023.4.27	2024.4.26
Microwave chamber	GTS	GTS Maxsign- Dart7000		2023.4.27	2024.4.26
Turn table	GTS	Dart-700 turn table		2023.4.27	2024.4.26
turn table controller	GTS	Dart-700 turn table controller		2023.4.27	2024.4.26
Broad-Band Horn Antenna	GTS	AT-6000	MA-D0460	2023.4.27	2024.4.26
Test Software	GTS	Libra Version- 3.0.3.1		2023.4.27	2024.4.26

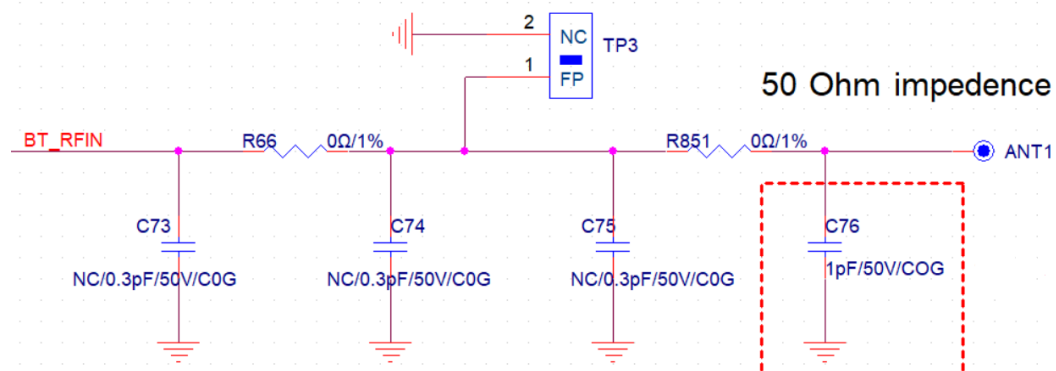
6. Test configuration diagram



Test step flow:

- 1) Maintain the test ambient temperature of 23 ± 2 C, the instrument is powered on and preheated for more than 30 minutes;
- 2) Turn on the darkroom power supply, connect the test cable, and set up the sample according to the standard;
- 3) Outline sets the test content objectives and conducts calibration tests;
- 4) Run the software, when the test is completed, export the corresponding test diagram and test data, and save to the corresponding directory.

7. Antenna Matching circuit

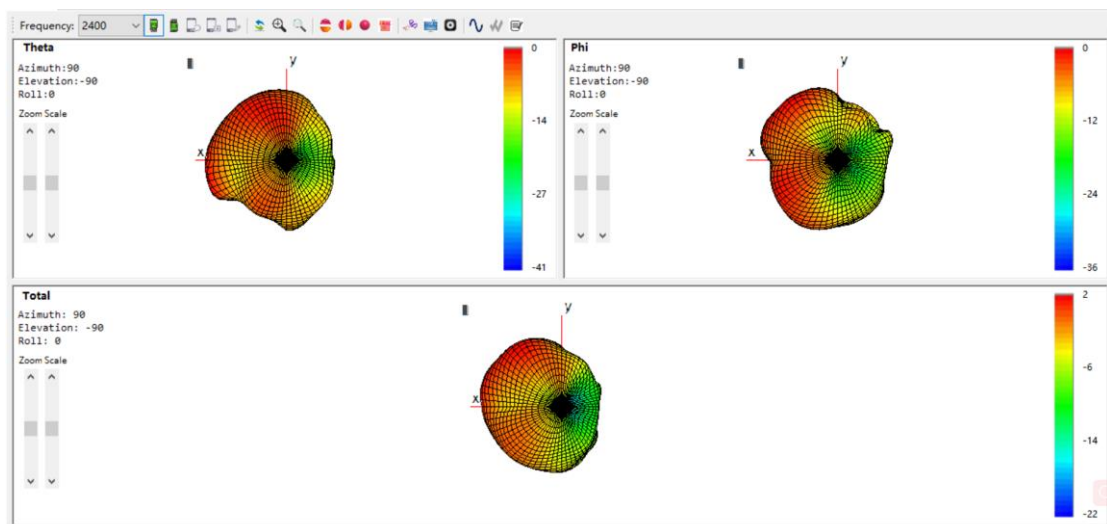


8. Antenna gain

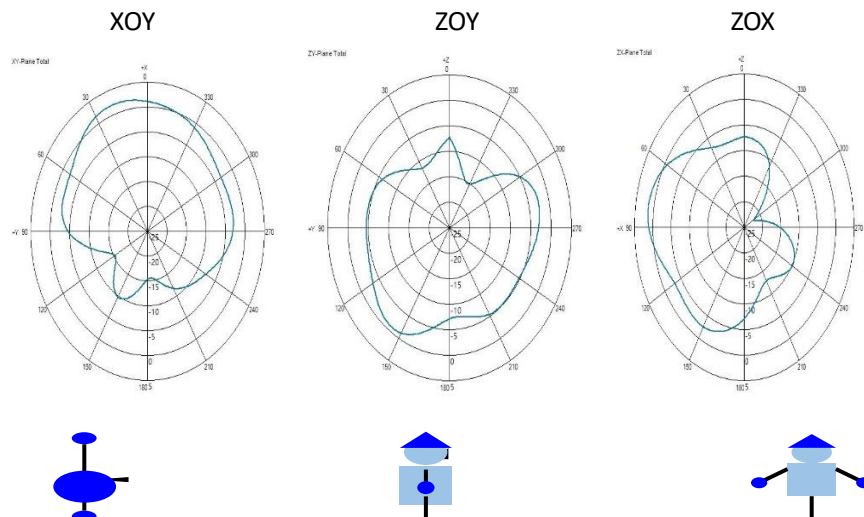
Freq(MHz)	Gain(dB)	Efficiency(dB)	Efficiency(%)
2400	1.625648	-4.33987	36.81397
2410	1.582556	-4.42787	36.07556
2420	1.580714	-4.47354	35.69814
2430	1.680484	-4.5413	35.14552
2440	1.844029	-4.50442	35.44525
2450	2.198434	-4.36159	36.63035
2460	2.456822	-4.27701	37.35072
2470	2.475326	-4.20652	37.96192
2480	2.320311	-4.24853	37.59646

9. Antenna test data

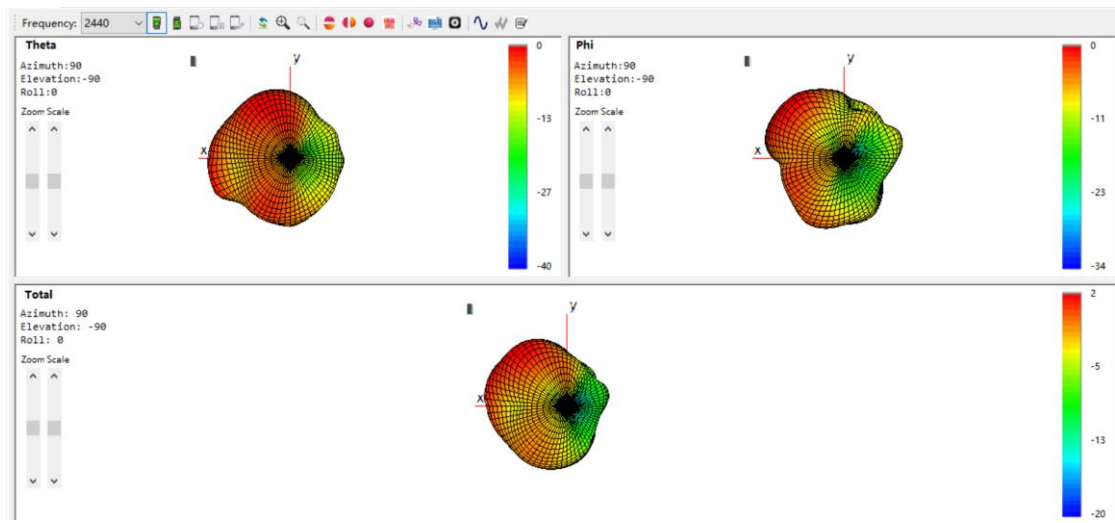
2400MHz



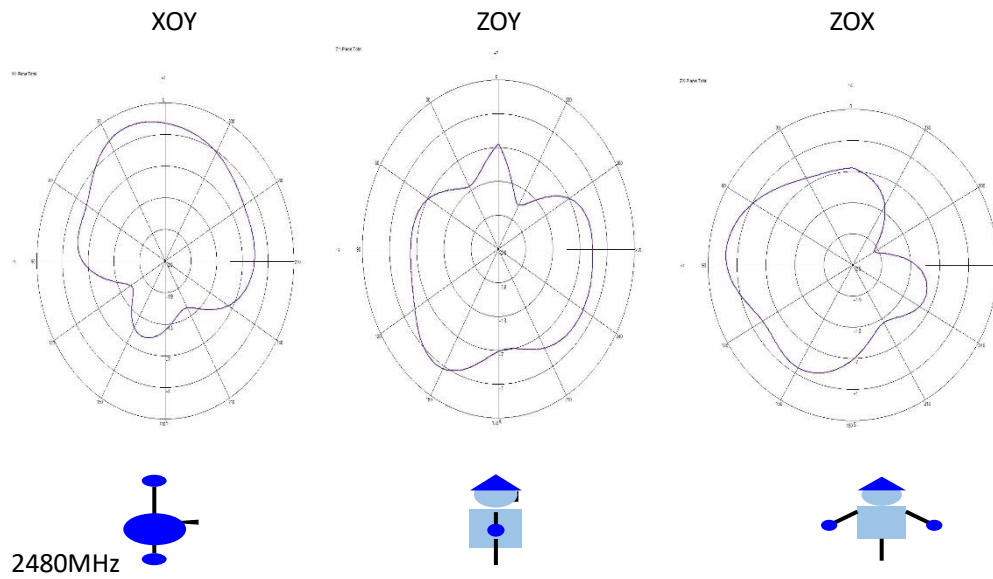
2400MHz



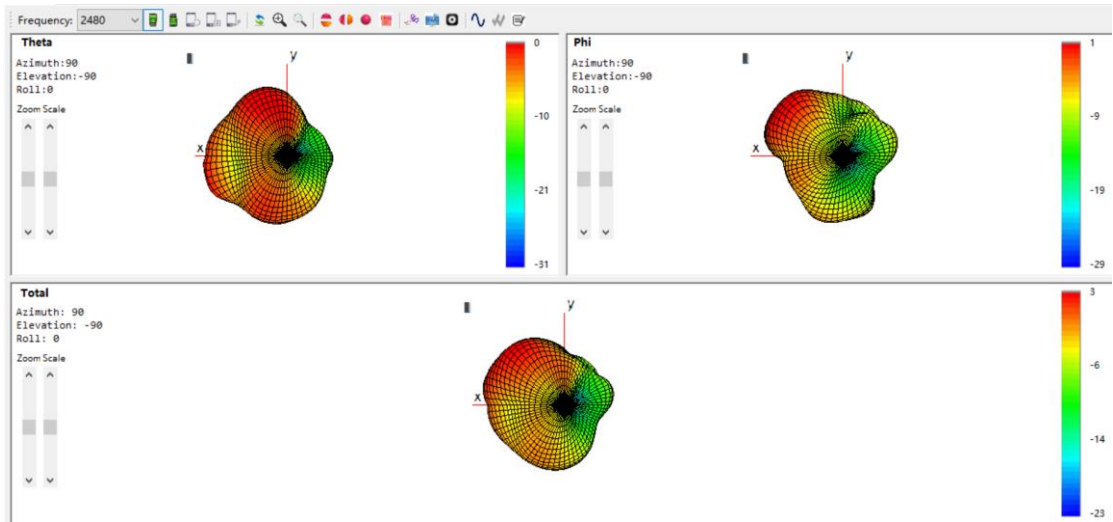
2440MHz



2440MHz

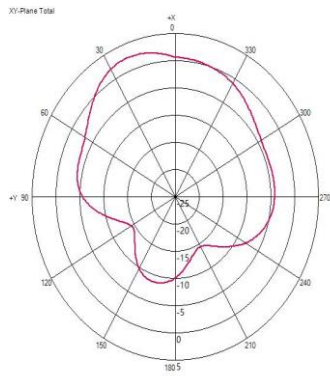


2480MHz

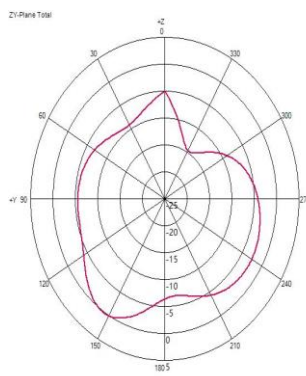


2480MHz

XOY



ZOY



ZOX

