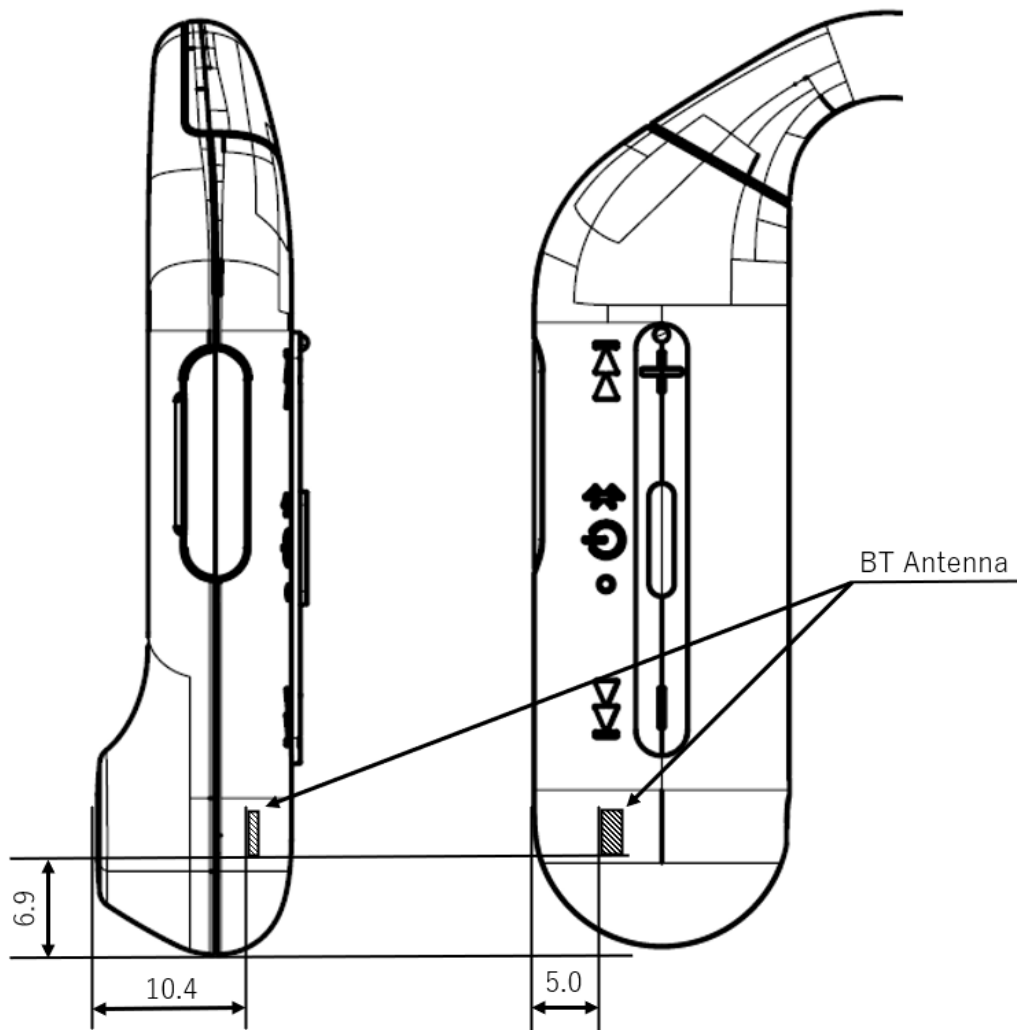


### ANNEX E: Exposure Positions Consideration



..... THE END .....