



KES Co., Ltd.
3701, 40, Simin-daero 365beon-gil,
Dongan-gu, Anyang-si, Gyeonggi-do, 431-716, Korea
Tel: +82-31-425-6200 / Fax: +82-31-424-0450
www.kes.co.kr

Test report No.:
KES-SR-22T0025
Page (1) of (5)

APPENDIX E: DUT ANTENNA DIAGRAM & SAR TEST SETUP PHOTOGRAPHS

This report shall not be reproduced except in full, without the written approval of KES Co., Ltd.
The results shown in this test report refer only to the sample(s) tested unless otherwise stated.
The authenticity of the test report, contact shchoi@kes.co.kr

DUT Antenna Diagram

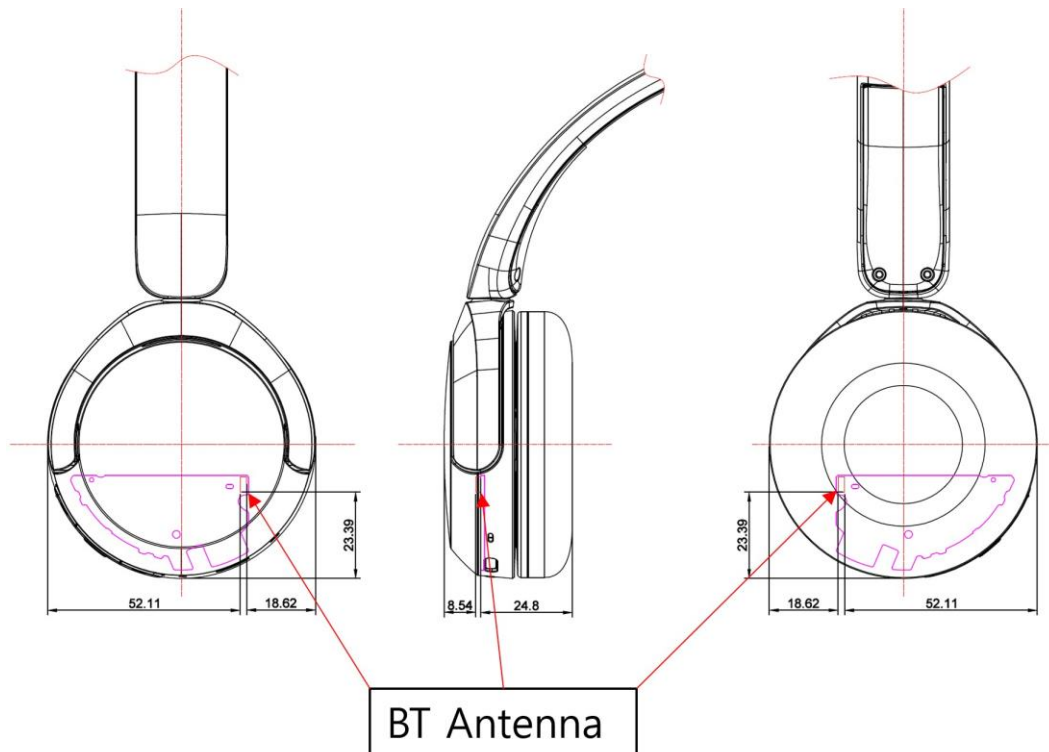
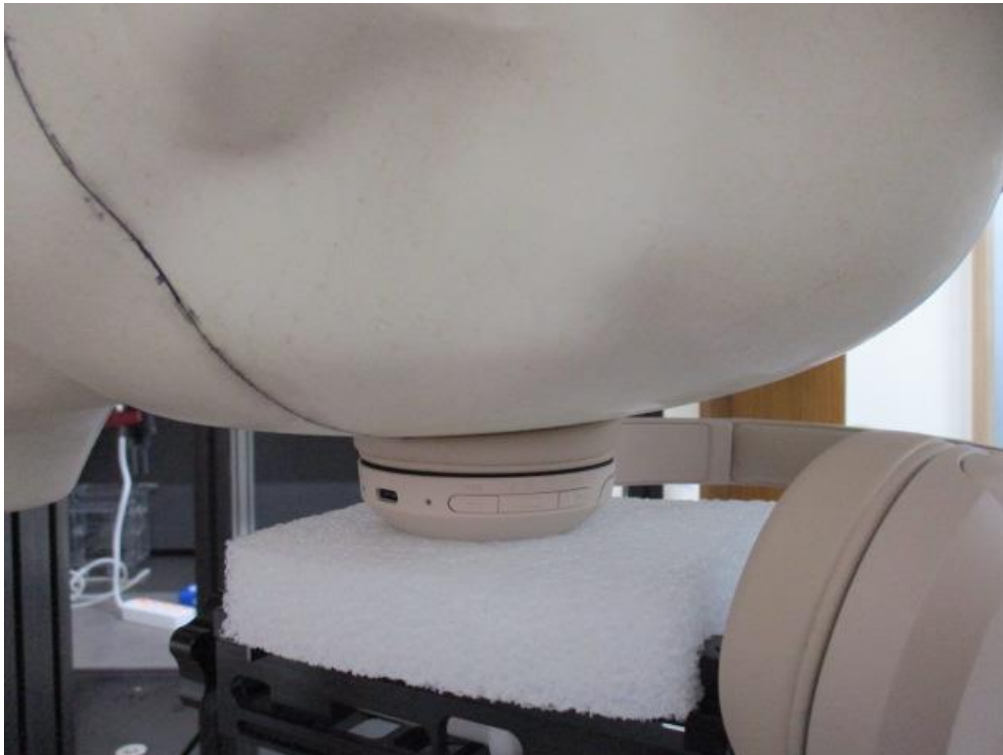


Figure E-1 Antenna Location

SAR Test Setup Photographs



Cushion Side from Flat Phantom (Separation Distance: 0 cm) – Right Head



Cushion Side from Flat Phantom (Separation Distance: 0 cm) – Left Head

This report shall not be reproduced except in full, without the written approval of KES Co., Ltd.
The results shown in this test report refer only to the sample(s) tested unless otherwise stated.
The authenticity of the test report, contact shchoi@kes.co.kr



Logo Side from Flat Phantom (Separation Distance: 0 cm)



Antenna Touching - Bottom Side from Flat Phantom (Separation Distance: 0 cm)

This report shall not be reproduced except in full, without the written approval of KES Co., Ltd.
The results shown in this test report refer only to the sample(s) tested unless otherwise stated.
The authenticity of the test report, contact shchoi@kes.co.kr



Antenna Touching - Left Side from Flat Phantom (Separation Distance: 0 cm)



Antenna Touching - Right Side from Flat Phantom (Separation Distance: 0 cm)

This report shall not be reproduced except in full, without the written approval of KES Co., Ltd.
The results shown in this test report refer only to the sample(s) tested unless otherwise stated.
The authenticity of the test report, contact shchoi@kes.co.kr