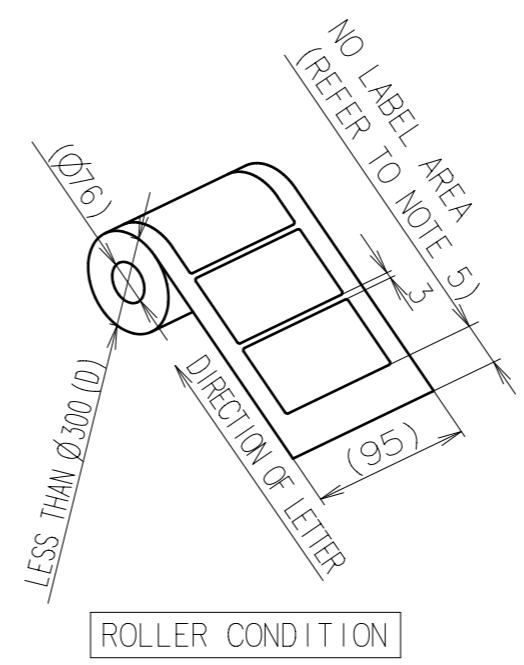
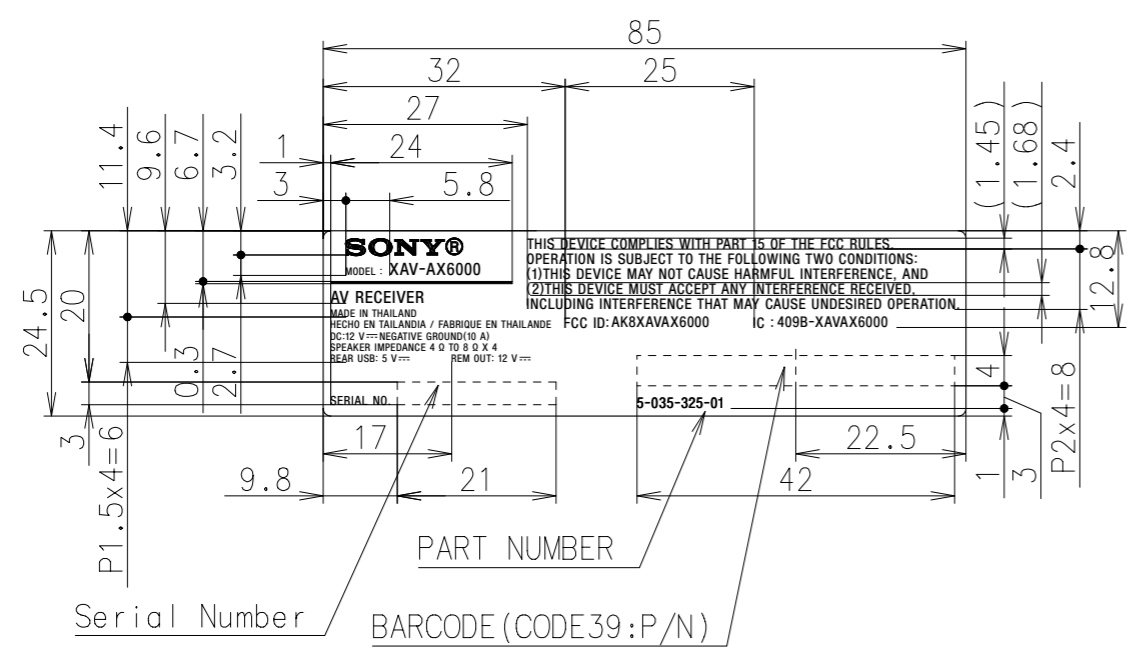


LOCALLY PROCURED PART
COUNTRY OF ORIGIN (THAILAND)

FOR SONY USE ONLY
LABEL TYPE
AVR-UC-1-004

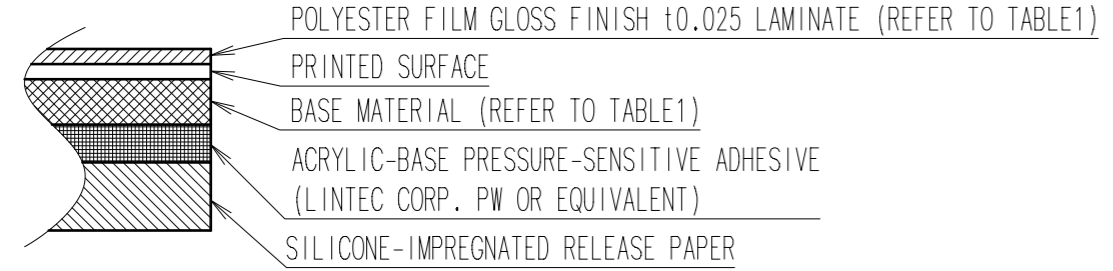
WRITTEN LETTERS	LETTER HEIGHT	TYPE FACE
SONY®	L=13	SONY LOGOTYPE WITH®SYMBOL (NO.2)
MODEL :	1	NEW SONY ID TYPE HRC
XAV-AX6000	1.6	
AV RECEIVER		
MADE IN THAILAND		
HECHO EN - THAILANDE	1	REFER TO DATA
DC:12 V - GROUND(10 A)		
(3 PORTIONS)	α=1	
SPEAKER-8 Ω X 4		NEW SONY ID TYPE HRC
REAR USB: 5 V	1	
REM OUT: 12 V		
THIS DEVICE~OPERATION.		
FCC ID:		1.4
AK8XAVAX6000		
IC :		1.2
409B-XAVAX6000		
SERIAL NO.	1.4	
5-035-325-01		
Serial Number	3	



DRAWING

SONY STANDARD

MATERIAL CONSTRUCTION TABLE



QUALITY CHARACTERISTICS:ALL THE SPECIFICATIONS IN SECTION 7.1 IN STM-1078 "LABELS AND NAMEPLATES-PARTS DESIGN STANDARDS" SHOULD BE SATISFIED.

- NOTE 1) THE ADDED Serial Number IS TO BE DETERMINED UNDER INSTRUCTIONS FROM THE MATERIAL SECTION OF ORDERING FACTORY.
- 2) POSITION OF Serial Number(REFER TO RIGHT) TOLERANCE OF SIZE MUST BE±0.5.
- 3) DELIVERY SHALL BE IN ROLLED CONDITION.
- 4) UNLESS OTHERWISE SPECIFIED,ROUNDING SHALL BE R1.
- 5) NO LABEL AREA MUST BE LONG ENOUGH TO COVER OUTSIDE SURFACE OF THE ROLLER(Ø).
- 6) BLOCK COPY PROVIDED FROM SONY SHOULD BE USED.

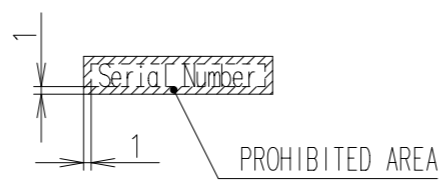


TABLE 1 : MATERIALS SPECIFICATION

ITEM	POLYESTER FILM		BASE MATERIAL		
	PRODUCT NAME	PARTNER	PRODUCT NAME	PARTNER	
1	PET25 NPL 6LK	LINTEC	WOOD FREE PAPER	HPL-W	THAI KK
2	OPP LAMINATING TAPE OPAT	KK ENTERPRISE	(70 g/m ²)	SUPER VELLUM 70/ PP3C/ WG62	PMC

CHOOSE MATERIALS FROM THIS TABLE TO MAKE PART

Purchase recycled resins and wire rods only from the business partners that Sony approves as Green Partners.
再生樹脂・被覆電線はグリーンパートナー認定取引先から調達すること。

HISTORY X COUNT	SUFFIX /REV.NO. -REPL.	RELEASE NO. DATE	REVISION	SIGN.	MATERIAL (COLOR)	FINISH(COLOR)	GENERAL TOLERANCE	STS-3	DATE OF ISSUE																
						REFER TO ABOVE	BASE:WHITE LETTER:BLACK	<table border="1"> <tr><td>L≤ 4</td><td>±0.2</td></tr> <tr><td>4 <L≤ 16</td><td>±0.3</td></tr> <tr><td>16 <L≤ 63</td><td>±0.4</td></tr> <tr><td>63 <L≤ 250</td><td>±0.5</td></tr> <tr><td>250 <L≤ 400</td><td>±0.7</td></tr> <tr><td>400 <L≤ 1000</td><td>±1.5</td></tr> <tr><td>1000 <L≤ 2000</td><td>±3</td></tr> <tr><td>2000 <L≤ 4000</td><td>±4</td></tr> </table>	L≤ 4	±0.2	4 <L≤ 16	±0.3	16 <L≤ 63	±0.4	63 <L≤ 250	±0.5	250 <L≤ 400	±0.7	400 <L≤ 1000	±1.5	1000 <L≤ 2000	±3	2000 <L≤ 4000	±4	2021.09.14
	L≤ 4	±0.2																							
4 <L≤ 16	±0.3																								
16 <L≤ 63	±0.4																								
63 <L≤ 250	±0.5																								
250 <L≤ 400	±0.7																								
400 <L≤ 1000	±1.5																								
1000 <L≤ 2000	±3																								
2000 <L≤ 4000	±4																								
LEGAL OWNER Sony Corporation																									
RESPONSIBLE DEPARTMENT AUTOMOTIVE BUSINESS DIV.			ORIGINAL MODEL XAV-AX6000/Q(UC)	DESCRIPTION (E) LABEL, MODEL NUMBER (UC)																					
PLANNED BY 2021.09.14 S.ALISA	CHECKED BY 	APPROVED BY STT '21.09.20 ADISAK	SCALE 1:1	TENTATIVE MODEL SK-3202	DESCRIPTION (J) LABEL, MODEL NUMBER (UC)																				
DRAWN BY 2021.09.14 BH.TANAKARN			PRJ. METHOD 	SIZE UNIT A3 mm	PART NO. 5035325	SUFFIX 01	REV.NO. A	SHEET/PAGES 1/1																	

THIS DOCUMENT IS THE PROPRIETARY PROPERTY OF SONY. ITS USE IS AUTHORIZED ONLY FOR RESPONDING TO A REQUEST FOR QUOTATION, OR FOR THE PERFORMANCE OF WORK FOR SONY. ALL QUESTIONS MUST BE REFERRED TO THE LOCAL PURCHASING DEPARTMENT OF SONY. THIS PART SHOULD NOT CONTAIN ANY SUBSTANCES WHICH ARE SPECIFIED IN SS-00259-01. THE REPRODUCTION, DISTRIBUTION AND UTILIZATION OF THIS DOCUMENT AS WELL AS THE COMMUNICATION OF ITS CONTENTS TO OTHERS WITHOUT EXPRESS AUTHORIZATION IS PROHIBITED. OFFENDERS WILL BE HELD LIABLE FOR THE PAYMENT OF DAMAGES. ALL RIGHTS RESERVED IN THE EVENT OF THE GRANT OF A PATENT, UTILITY MODEL OR DESIGN. COPYRIGHT RESERVED.