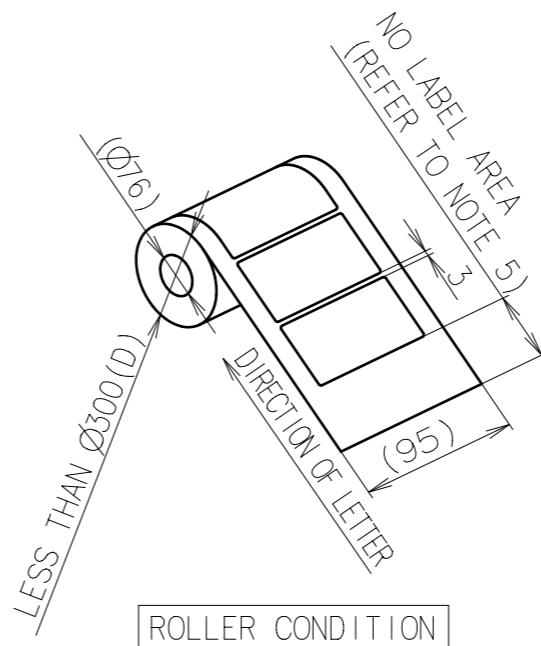
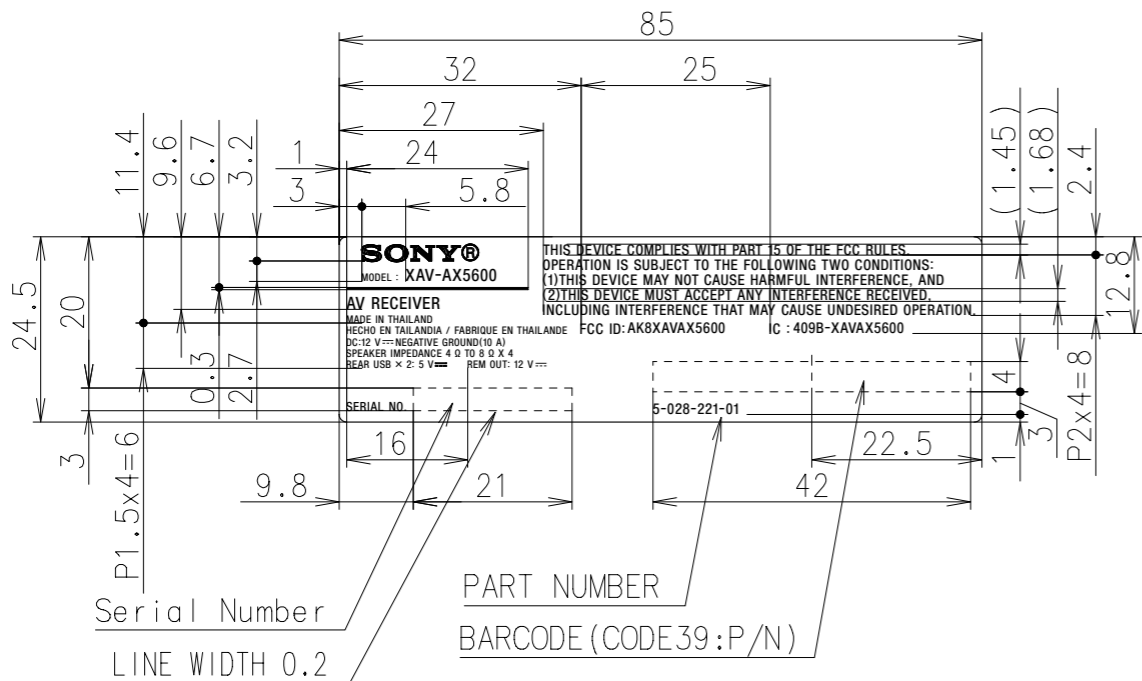


LOCALLY PROCURED PART  
COUNTRY OF ORIGIN (THAILAND)

FOR SONY USE ONLY  
LABEL TYPE  
AVR-UC-1-003

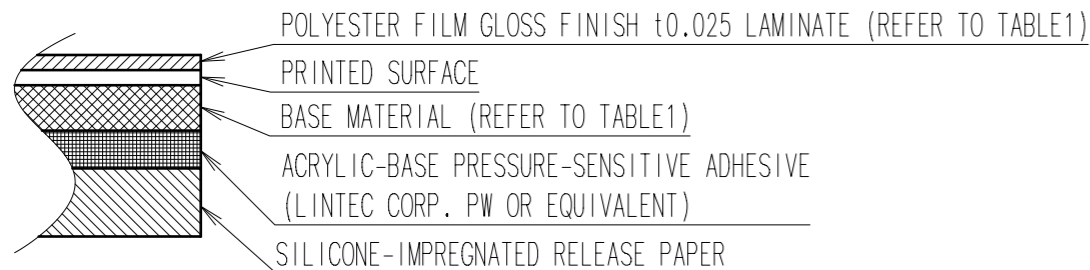
WRITTEN LETTERS	LETTER HEIGHT	TYPE FACE
<b>SONY®</b>	L=13	SONY LOGOTYPE WITH®SYMBOL (NO.2)
MODEL :	1	NEW SONY ID TYPE HRC
<b>XAV-AX5600</b>	1.6	
<b>AV RECEIVER</b>		
MADE IN THAILAND	1	NEW SONY ID TYPE HRC
HECHO EN - THAILANDE		
DC:12 V - GROUND(10 A)		
(3 PORTIONS)	α=1	REFER TO DATA
SPEAKER-8 Ω X 4	1	NEW SONY ID TYPE HRC
REAR USB × 2: 5 V		
REM OUT: 12 V		
THIS DEVICE~OPERATION.	1.4	NEW SONY ID TYPE HRC
FCC ID:		
AK8XAVAX5600		
IC :	1.2	NEW SONY ID TYPE HRC
409B-XAVAX5600		
SERIAL NO.	1.4	
5-028-221-01	3	
Serial Number		



DRAWING

SONY STANDARD

MATERIAL CONSTRUCTION TABLE



QUALITY CHARACTERISTICS:ALL THE SPECIFICATIONS IN SECTION 7.1 IN STM-1078 "LABELS AND NAMEPLATES-PARTS DESIGN STANDARDS" SHOULD BE SATISFIED.

- NOTE 1) THE ADDED Serial Number IS TO BE DETERMINED UNDER INSTRUCTIONS FROM THE MATERIAL SECTION OF ORDERING FACTORY.
- 2) POSITION OF Serial Number(REFER TO RIGHT) TOLERANCE OF SIZE MUST BE±0.5.
- 3) DELIVERY SHALL BE IN ROLLED CONDITION.
- 4) UNLESS OTHERWISE SPECIFIED,ROUNDING SHALL BE R1.
- 5) NO LABEL AREA MUST BE LONG ENOUGH TO COVER OUTSIDE SURFACE OF THE ROLLER(ØD).
- 6) BLOCK COPY PROVIDED FROM SONY SHOULD BE USED.

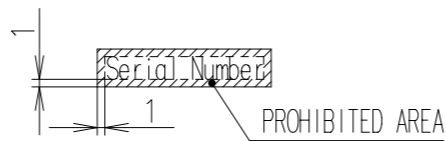


TABLE 1 : MATERIALS SPECIFICATION

ITEM	POLYESTER FILM		BASE MATERIAL		
	PRODUCT NAME	PARTNER	PRODUCT NAME	PARTNER	
1	PET25 NPL 6LK	LINTEC	WOOD FREE PAPER	HPL-W	THAI KK
2	OPP LAMINATING TAPE OPAT	KK ENTERPRISE	(70 g/m <sup>2</sup> )	SUPER VELLUM 70/ PP3C/ WG62	PMC

CHOOSE MATERIALS FROM THIS TABLE TO MAKE PART

Purchase recycled resins and wire rods only from the business partners that Sony approves as Green Partners.  
再生樹脂・被覆電線はグリーンパートナー認定取引先から調達すること。

HISTORY X COUNT	SUFFIX /REV. NO. -REPL.	RELEASE NO. DATE	REVISION	SIGN.	MATERIAL (COLOR)	FINISH(COLOR)	GENERAL TOLERANCE	STS-3	DATE OF ISSUE
								L ≤ 4 ±0.2	2020.10.27
								4 <L ≤ 16 ±0.3	DOCUMENT TYPE
								16 <L ≤ 63 ±0.4	PART
								63 <L ≤ 250 ±0.5	DRAWING
								250 <L ≤ 400 ±0.7	TOLERANCING
								400 <L ≤ 1000 ±1.5	ISO 8015
								1000 <L ≤ 2000 ±3	
								2000 <L ≤ 4000 ±4	
LEGAL OWNER Sony Corporation					REFER TO ABOVE		BASE:WHITE LETTER:BLACK		
RESPONSIBLE DEPARTMENT AUTOMOTIVE BUSINESS DIV.				ORIGINAL MODEL XAV-AX5600/Q(UC)	DESCRIPTION (E) LABEL, MODEL NUMBER (UC)				
PLANNED BY 2020.10.27 P. TAWATCHAI	CHECKED BY STT 20.10.27 PAKAWIN	APPROVED BY STT 20.10.27 ADISAK	SCALE 1 : 1	TENTATIVE MODEL SK-3196	DESCRIPTION (J) LABEL, MODEL NUMBER (UC)				
DRAWN BY 2020.10.27 T.PIYANAT	PRJ. METHOD 	SIZE A3	UNIT mm	PART NO. 5028221	SUFFIX 01	REV. NO. B	SHEET/PAGES 1 / 1		

THIS DOCUMENT IS THE PROPRIETARY PROPERTY OF SONY. ITS USE IS AUTHORIZED ONLY FOR RESPONDING TO A REQUEST FOR QUOTATION, OR FOR THE PERFORMANCE OF WORK FOR SONY. ALL QUESTIONS MUST BE REFERRED TO THE LOCAL PURCHASING DEPARTMENT OF SONY. THIS PART SHOULD NOT CONTAIN ANY SUBSTANCES WHICH ARE SPECIFIED IN SS-00259-01. THE REPRODUCTION, DISTRIBUTION AND UTILIZATION OF THIS DOCUMENT AS WELL AS THE COMMUNICATION OF ITS CONTENTS TO OTHERS WITHOUT EXPRESS AUTHORIZATION IS PROHIBITED. OFFENDERS WILL BE HELD LIABLE FOR THE PAYMENT OF DAMAGES. ALL RIGHTS RESERVED IN THE EVENT OF THE GRANT OF A PATENT, UTILITY MODEL OR DESIGN. COPYRIGHT RESERVED.

# PLACEMENT OF SERIAL NUMBER MODEL: XAV-AX5600//Q(UC)

Type Approval mark and Serial number is to be printed are on the same plate label affixed to bottom of main unit

