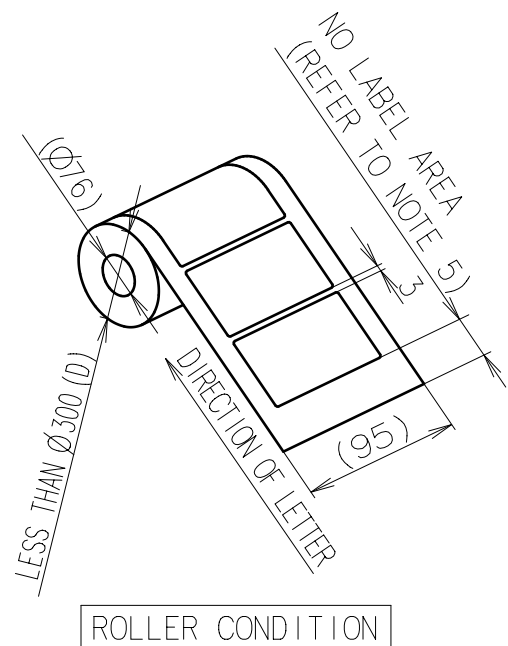
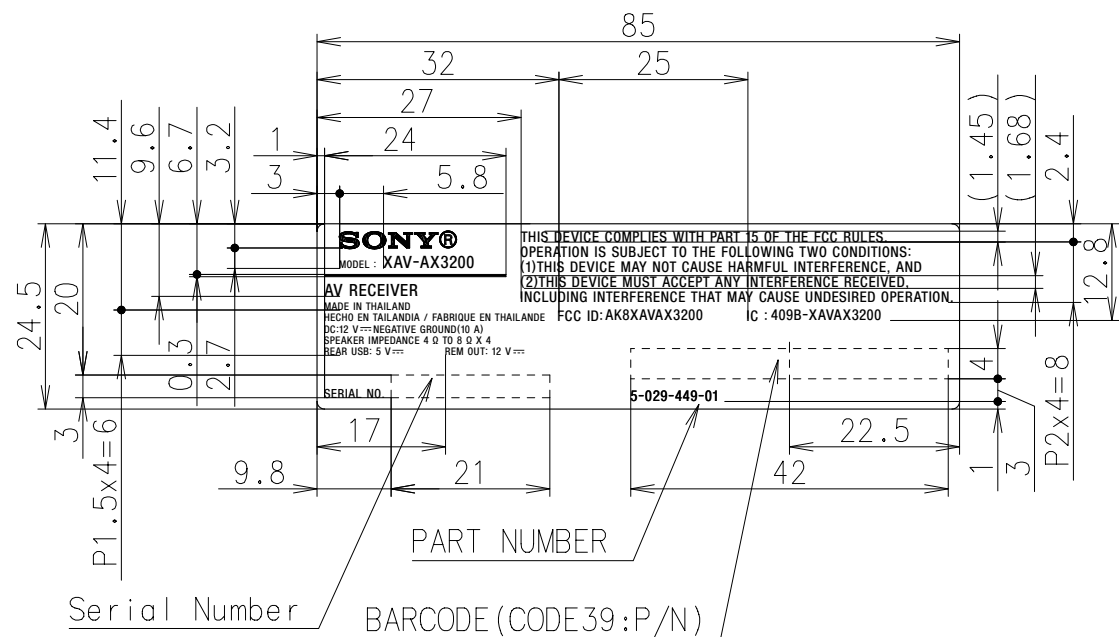


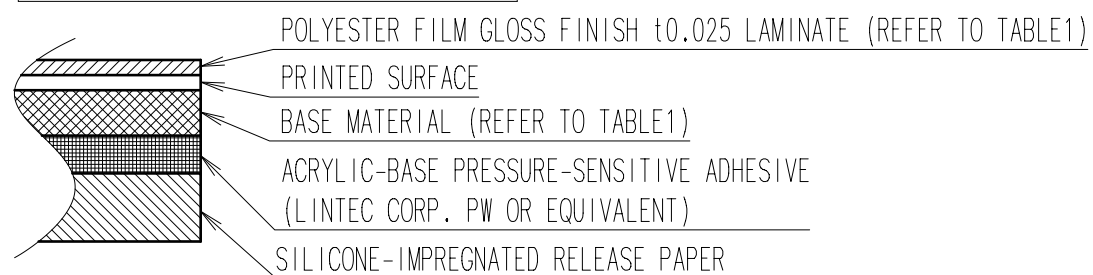
LOCALLY PROCURED PART
COUNTRY OF ORIGIN (THAILAND)

FOR SONY USE ONLY
LABEL TYPE
AVR-UC-1-004

WRITTEN LETTERS	LETTER HEIGHT	TYPE FACE
SONY®	L=13	SONY LOGOTYPE WITH®SYMBOL (NO.2)
MODEL :	1	NEW SONY ID TYPE HRC
XAV-AX3200	1.6	
AV RECEIVER		
MADE IN THAILAND		
HECHO EN - THAILANDE	1	NEW SONY ID TYPE HRC
DC:12 V - GROUND(10 A)		
(3 PORTIONS)	α=1	
SPEAKER-8 Ω X 4		NEW SONY ID TYPE HRC
REAR USB: 5 V	1	
REM OUT: 12 V		
THIS DEVICE~OPERATION.		
FCC ID:		NEW SONY ID TYPE HRC
AK8XAVAX3200	1.4	
IC :		
409B-XAVAX3200		
SERIAL NO.	1.2	
5-029-449-01	1.4	
Serial Number	3	



MATERIAL CONSTRUCTION TABLE



QUALITY CHARACTERISTICS: ALL THE SPECIFICATIONS IN SECTION 7.1 IN STM-1078 "LABELS AND NAMEPLATES-PARTS DESIGN STANDARDS" SHOULD BE SATISFIED.

- NOTE 1) THE ADDED Serial Number IS TO BE DETERMINED UNDER INSTRUCTIONS FROM THE MATERIAL SECTION OF ORDERING FACTORY.
- 2) POSITION OF Serial Number(REFER TO RIGHT) TOLERANCE OF SIZE MUST BE±0.5.
- 3) DELIVERY SHALL BE IN ROLLED CONDITION.
- 4) UNLESS OTHERWISE SPECIFIED,ROUNDING SHALL BE R1.
- 5) NO LABEL AREA MUST BE LONG ENOUGH TO COVER OUTSIDE SURFACE OF THE ROLLER(Ø).
- 6) BLOCK COPY PROVIDED FROM SONY SHOULD BE USED.

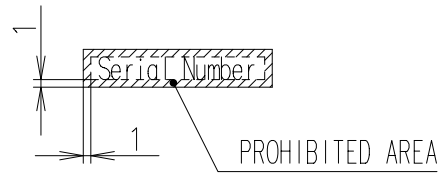


TABLE 1 : MATERIALS SPECIFICATION

ITEM	POLYESTER FILM		BASE MATERIAL		
	PRODUCT NAME	PARTNER	PRODUCT NAME	PARTNER	
1	PET25 NPL 6LK	LINTEC	WOOD FREE PAPER	HPL-W	THAI KK
2	OPP LAMINATING TAPE OPAT	KK ENTERPRISE	(70 g/m ²)	SUPER VELLUM 70/ PP3C/ WG62	PMC

CHOOSE MATERIALS FROM THIS TABLE TO MAKE PART

Purchase recycled resins and wire rods only from the business partners that Sony approves as Green Partners.
再生樹脂・被覆電線はグリーンパートナー認定取引先から調達すること。

HISTORY X COUNT	SUFFIX /REV.NO. -REPL.	RELEASE NO. DATE	REVISION	SIGN.	MATERIAL (COLOR)	FINISH(COLOR)	GENERAL TOLERANCE	STS-3	DATE OF ISSUE
								L ≤ 4 ±0.2	2020.12.08
								4 < L ≤ 16 ±0.3	
								DOCUMENT TYPE	
								PART	
								DRAWING	
								TOLERANCING	
								ISO 8015	
LEGAL OWNER					REFER TO ABOVE		BASE:WHITE LETTER:BLACK		
Sony Corporation									
RESPONSIBLE DEPARTMENT				ORIGINAL MODEL	DESCRIPTION (E)				
AUTOMOTIVE BUSINESS DIV.				XAV-AX3200/Q(UC)	LABEL, MODEL NUMBER (UC)				
PLANNED BY	CHECKED BY	APPROVED BY	SCALE	TENTATIVE MODEL	DESCRIPTION (J)				
2020.12.08 CH. WANVISA	STT PAKAWIN	STT ADISAK	1:1	SK-3194	LABEL, MODEL NUMBER (UC)				
DRAWN BY	PRJ. METHOD	SIZE	UNIT	PART NO.	SUFFIX	REV.NO.	SHEET/PAGES		
2020.12.08 P. PAKAWUT		A3	mm	5029449	01	A	1/1		

THIS DOCUMENT IS THE PROPRIETARY PROPERTY OF SONY. ITS USE IS AUTHORIZED ONLY FOR RESPONDING TO A REQUEST FOR QUOTATION, OR FOR THE PERFORMANCE OF WORK FOR SONY. ALL QUESTIONS MUST BE REFERRED TO THE LOCAL PURCHASING DEPARTMENT OF SONY. THIS PART SHOULD NOT CONTAIN ANY SUBSTANCES WHICH ARE SPECIFIED IN SS-00259-01. THE REPRODUCTION, DISTRIBUTION AND UTILIZATION OF THIS DOCUMENT AS WELL AS THE COMMUNICATION OF ITS CONTENTS TO OTHERS WITHOUT EXPRESS AUTHORIZATION IS PROHIBITED. OFFENDERS WILL BE HELD LIABLE FOR THE PAYMENT OF DAMAGES. ALL RIGHTS RESERVED IN THE EVENT OF THE GRANT OF A PATENT, UTILITY MODEL OR DESIGN. COPYRIGHT RESERVED.