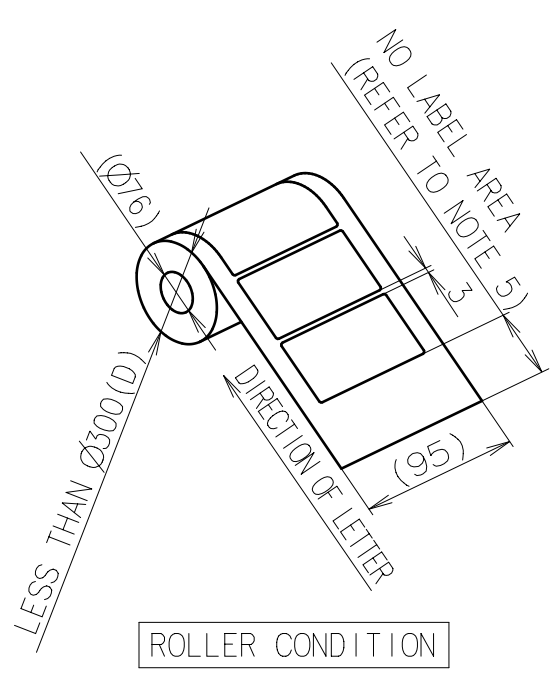
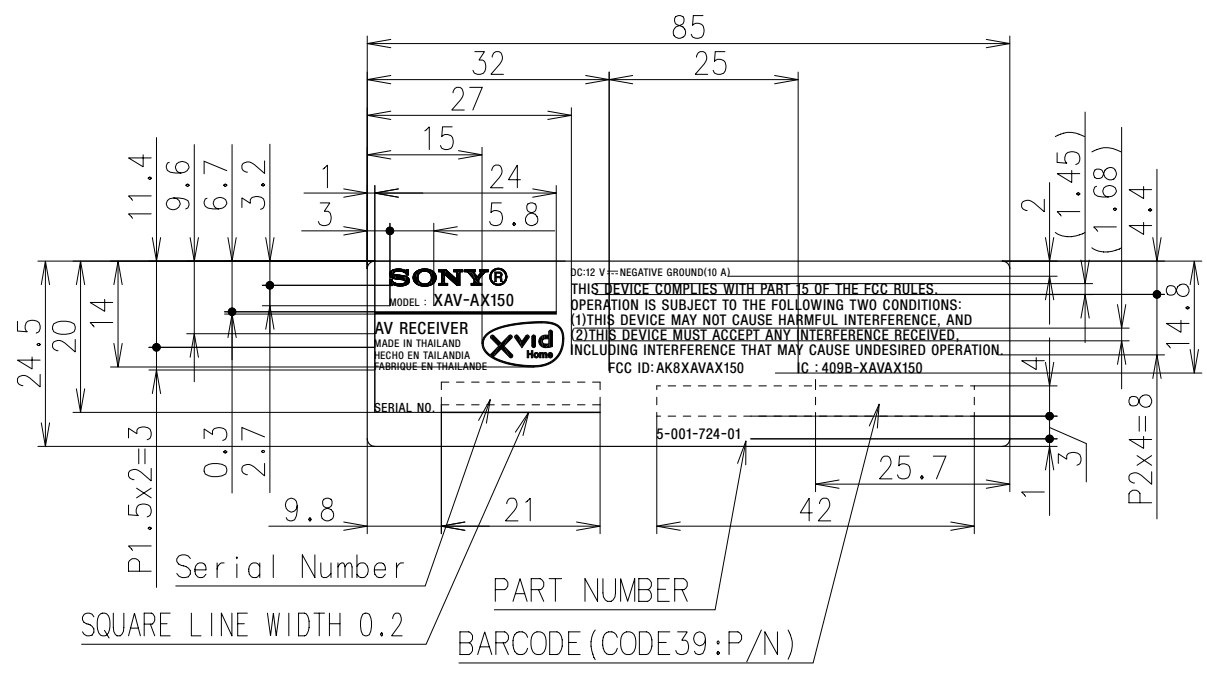


LOCALLY PROCURED PART
COUNTRY OF ORIGIN (THAILAND)

FOR SONY USE ONLY
LABEL TYPE
AVR-UC-1-001

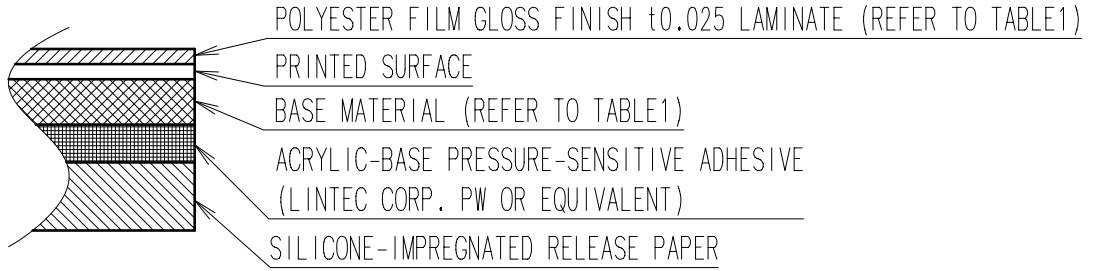
WRITTEN LETTERS	LETTER HEIGHT	TYPE FACE
SONY®	L=13	SONY LOGOTYPE WITH®SYMBOL (NO.2)
MODEL :	1	NEW SONY ID TYPE HRC
XAV-AX150	1.6	
AV RECEIVER		
MADE IN THAILAND	1	REFER TO DATA
HECHO EN - THAILANDE		
DC:12 V - GROUND(10 A)		
	α=1	NEW SONY ID TYPE HRC
	6	
THIS DEVICE~OPERATION.		
FCC ID:	1.4	NEW SONY ID TYPE HRC
AK8XAVAX150		
IC :		
409B-XAVAX150	1.2	
SERIAL NO.		
5-001-724-01	1.4	
Serial Number	3	



DRAWING

SONY STANDARD

MATERIAL CONSTRUCTION TABLE



QUALITY CHARACTERISTICS:ALL THE SPECIFICATIONS IN SECTION 7.1 IN STM-1078 "LABELS AND NAMEPLATES-PARTS DESIGN STANDARDS" SHOULD BE SATISFIED.

- NOTE 1) THE ADDED Serial Number IS TO BE DETERMINED UNDER INSTRUCTIONS FROM THE MATERIAL SECTION OF ORDERING FACTORY.
- 2) POSITION OF Serial Number(REFER TO RIGHT) TOLERANCE OF SIZE MUST BE±0.5.
- 3) DELIVERY SHALL BE IN ROLLED CONDITION.
- 4) UNLESS OTHERWISE SPECIFIED,ROUNDING SHALL BE R1.
- 5) NO LABEL AREA MUST BE LONG ENOUGH TO COVER OUTSIDE SURFACE OF THE ROLLER(ØD).
- 6) BLOCK COPY PROVIDED FROM SONY SHOULD BE USED.

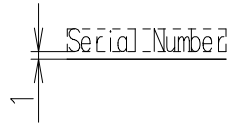


TABLE 1 : MATERIALS SPECIFICATION

ITEM	POLYESTER FILM		BASE MATERIAL		
	PRODUCT NAME	PARTNER	PRODUCT NAME	PARTNER	PARTNER
1	PET25 NPL 6LK	LINTEC	WOOD FREE PAPER	HPL-W	THAI KK
2	OPP LAMINATING TAPE OPAT	KK ENTERPRISE	(70 g/m ²)	SUPER VELLUM 70/ PP3C/ WG62	PMC

CHOOSE MATERIALS FROM THIS TABLE TO MAKE PART

Purchase recycled resins and wire rods only from the business partners that Sony approves as Green Partners.
再生樹脂・被覆電線はグリーンパートナー認定取引先から調達すること。

HISTORY X COUNT	SUFFIX /REV.NO. -REPL.	RELEASE NO. DATE	REVISION	SIGN.	MATERIAL (COLOR)	FINISH(COLOR)	GENERAL TOLERANCE	STS-3	DATE OF ISSUE
								L ≤ 4 ±0.2	2018.12.05
								4 <L ≤ 16 ±0.3	DOCUMENT TYPE
								16 <L ≤ 63 ±0.4	PART
								63 <L ≤ 250 ±0.5	DRAWING
								250 <L ≤ 400 ±0.7	TOLERANCING
								400 <L ≤ 1000 ±1.5	ISO 8015
								1000 <L ≤ 2000 ±3	
								2000 <L ≤ 4000 ±4	
LEGAL OWNER Sony Corporation						REFER TO ABOVE		BASE:WHITE LETTER:BLACK	
RESPONSIBLE DEPARTMENT AUTOMOTIVE BUSINESS DIV.				ORIGINAL MODEL XAV-AX150/Q(UC)		DESCRIPTION (E) LABEL, MODEL NUMBER (UC)			
PLANNED BY 2018.12.05 S.PAKAWIN		CHECKED BY 18.12.06 PAKAWIN		APPROVED BY STT 18.12.07 TERAWAT		SCALE 1:1		TENTATIVE MODEL SJ-V120	
DRAWN BY 2018.12.05 S.THAKOON		PRJ. METHOD 		SIZE UNIT A3 mm		PART NO. SUFFIX REV.NO. SHEET/PAGES 5001724 01 A 1/1			

THIS DOCUMENT IS THE PROPRIETARY PROPERTY OF SONY. ITS USE IS AUTHORIZED ONLY FOR RESPONDING TO A REQUEST FOR QUOTATION, OR FOR THE PERFORMANCE OF WORK FOR SONY. ALL QUESTIONS MUST BE REFERRED TO THE LOCAL PURCHASING DEPARTMENT OF SONY. THIS PART SHOULD NOT CONTAIN ANY SUBSTANCES WHICH ARE SPECIFIED IN SS-00259-01. THE REPRODUCTION, DISTRIBUTION AND UTILIZATION OF THIS DOCUMENT AS WELL AS THE COMMUNICATION OF ITS CONTENTS TO OTHERS WITHOUT EXPRESS AUTHORIZATION IS PROHIBITED. OFFENDERS WILL BE HELD LIABLE FOR THE PAYMENT OF DAMAGES. ALL RIGHTS RESERVED IN THE EVENT OF THE GRANT OF A PATENT, UTILITY MODEL OR DESIGN. COPYRIGHT RESERVED.