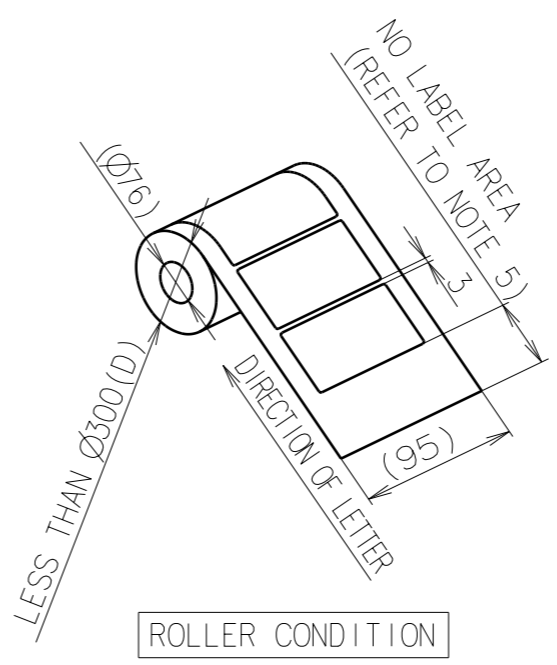
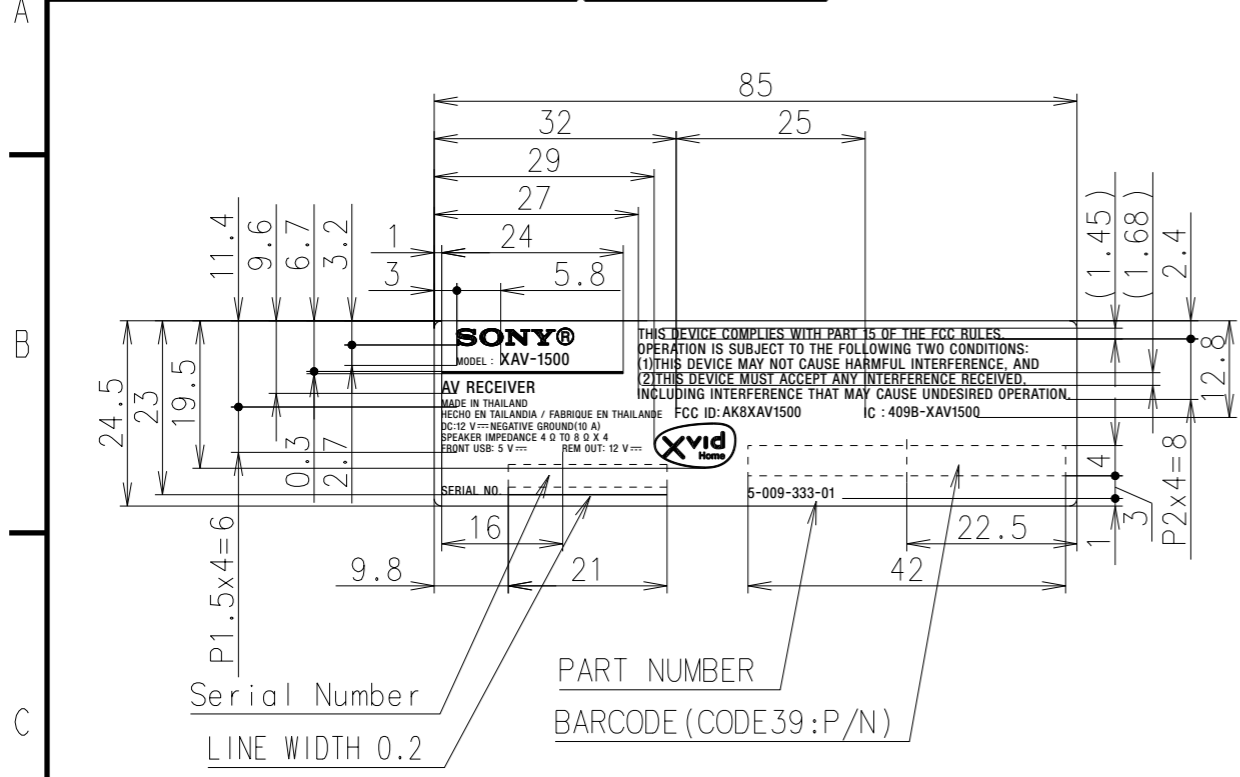


LOCALLY PROCURED PART  
COUNTRY OF ORIGIN (THAILAND)

FOR SONY USE ONLY  
LABEL TYPE  
AVR-UC-1-001

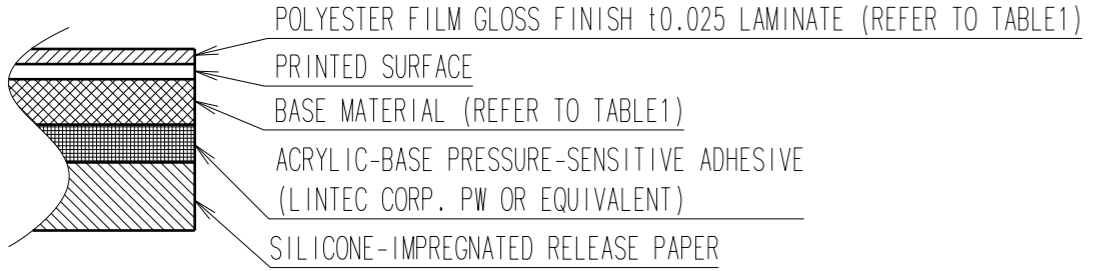
WRITTEN LETTERS	LETTER HEIGHT	TYPE FACE
<b>SONY®</b>	L=13	SONY LOGOTYPE WITH®SYMBOL (NO.2)
MODEL :	1	NEW SONY ID TYPE HRC
<b>XAV-1500</b>	1.6	
<b>AV RECEIVER</b>		
MADE IN THAILAND		
HECHO EN - THAILANDE	1	
DC:12 V - GROUND(10 A)		
(3 PORTIONS)	α=1	REFER TO DATA
SPEAKER-8 Ω X 4		
FRONT USB: 5 V	1	NEW SONY ID TYPE HRC
REM OUT: 12 V		
	6	REFER TO DATA
<b>THIS DEVICE-OPERATION.</b>		NEW SONY ID TYPE HRC
FCC ID:		
<b>AK8XAV1500</b>	1.4	
IC :		
<b>409B-XAV1500</b>		
SERIAL NO.	1.2	
<b>5-009-333-01</b>	1.4	
Serial Number	3	



DRAWING

SONY STANDARD

MATERIAL CONSTRUCTION TABLE



QUALITY CHARACTERISTICS: ALL THE SPECIFICATIONS IN SECTION 7.1 IN STM-1078 "LABELS AND NAMEPLATES-PARTS DESIGN STANDARDS" SHOULD BE SATISFIED.

- NOTE 1) THE ADDED Serial Number IS TO BE DETERMINED UNDER INSTRUCTIONS FROM THE MATERIAL SECTION OF ORDERING FACTORY.
- 2) POSITION OF Serial Number(REFER TO RIGHT) TOLERANCE OF SIZE MUST BE±0.5.
- 3) DELIVERY SHALL BE IN ROLLED CONDITION.
- 4) UNLESS OTHERWISE SPECIFIED,ROUNDING SHALL BE R1.
- 5) NO LABEL AREA MUST BE LONG ENOUGH TO COVER OUTSIDE SURFACE OF THE ROLLER(ØD).
- 6) BLOCK COPY PROVIDED FROM SONY SHOULD BE USED.

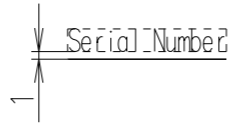


TABLE 1 : MATERIALS SPECIFICATION

ITEM	POLYESTER FILM		BASE MATERIAL	
	PRODUCT NAME	PARTNER	PRODUCT NAME	PARTNER
1	PET25 NPL 6LK	LINTEC	WOOD FREE PAPER	HPL-W THAI KK
2	OPP LAMINATING TAPE OPAT	KK ENTERPRISE	(70 g/m <sup>2</sup> ) SUPER VELLUM 70/ PP3C/ WG62	PMC

CHOOSE MATERIALS FROM THIS TABLE TO MAKE PART

Purchase recycled resins and wire rods only from the business partners that Sony approves as Green Partners.  
再生樹脂・被覆電線はグリーンパートナー認定取引先から調達すること。

HISTORY X COUNT	SUFFIX /REV.NO. -REPL.	RELEASE NO. DATE	REVISION	SIGN.	GENERAL TOLERANCE		DATE OF ISSUE 2019.04.27																			
					<table border="1"> <thead> <tr> <th></th> <th>STS-3</th> </tr> </thead> <tbody> <tr> <td>L ≤ 4</td> <td>±0.2</td> </tr> <tr> <td>4 &lt; L ≤ 16</td> <td>±0.3</td> </tr> <tr> <td>16 &lt; L ≤ 63</td> <td>±0.4</td> </tr> <tr> <td>63 &lt; L ≤ 250</td> <td>±0.5</td> </tr> <tr> <td>250 &lt; L ≤ 400</td> <td>±0.7</td> </tr> <tr> <td>400 &lt; L ≤ 1000</td> <td>±1.5</td> </tr> <tr> <td>1000 &lt; L ≤ 2000</td> <td>±3</td> </tr> <tr> <td>2000 &lt; L ≤ 4000</td> <td>±4</td> </tr> </tbody> </table>				STS-3	L ≤ 4	±0.2	4 < L ≤ 16	±0.3	16 < L ≤ 63	±0.4	63 < L ≤ 250	±0.5	250 < L ≤ 400	±0.7	400 < L ≤ 1000	±1.5	1000 < L ≤ 2000	±3	2000 < L ≤ 4000	±4	DRAWING PART TOLERANCING ISO 8015
						STS-3																				
L ≤ 4	±0.2																									
4 < L ≤ 16	±0.3																									
16 < L ≤ 63	±0.4																									
63 < L ≤ 250	±0.5																									
250 < L ≤ 400	±0.7																									
400 < L ≤ 1000	±1.5																									
1000 < L ≤ 2000	±3																									
2000 < L ≤ 4000	±4																									
MATERIAL (COLOR)		FINISH (COLOR)																								
REFER TO ABOVE			BASE: WHITE LETTER: BLACK																							
LEGAL OWNER Sony Corporation					ORIGINAL MODEL XAV-1500/Q(UC)		DESCRIPTION (E) LABEL, MODEL NUMBER (UC)																			
RESPONSIBLE DEPARTMENT AUTOMOTIVE BUSINESS DIV.					TENTATIVE MODEL SK-0017																					
PLANNED BY 2019.04.27 S. PAKAWIN		CHECKED BY STT 19.05.02 ADISAK		APPROVED BY STT 19.05.02 ADISAK	SCALE 1:1	DESCRIPTION (J) LABEL, MODEL NUMBER (UC)																				
DRAWN BY 2019.04.27 S. THAKOON		PRJ. METHOD 		SIZE A3	UNIT mm	PART NO. 5009333	SUFFIX 01	REV.NO. A	SHEET/PAGES 1/1																	

THIS DOCUMENT IS THE PROPRIETARY PROPERTY OF SONY. ITS USE IS AUTHORIZED ONLY FOR RESPONDING TO A REQUEST FOR QUOTATION, OR FOR THE PERFORMANCE OF WORK FOR SONY. ALL QUESTIONS MUST BE REFERRED TO THE LOCAL PURCHASING DEPARTMENT OF SONY. THIS PART SHOULD NOT CONTAIN ANY SUBSTANCES WHICH ARE SPECIFIED IN SS-00259-01. THE REPRODUCTION, DISTRIBUTION AND UTILIZATION OF THIS DOCUMENT AS WELL AS THE COMMUNICATION OF ITS CONTENTS TO OTHERS WITHOUT EXPRESS AUTHORIZATION IS PROHIBITED. OFFENDERS WILL BE HELD LIABLE FOR THE PAYMENT OF DAMAGES. ALL RIGHTS RESERVED IN THE EVENT OF THE GRANT OF A PATENT, UTILITY MODEL OR DESIGN. COPYRIGHT RESERVED.