

Wireless Noise Canceling Stereo Headset
Casque stéréo sans fil réducteur de bruits

Reference Guide Manuel de référence Guía de referencia



http://rd1.sony.net/help/mdr/wf1000xm3/h_zz/

WF-1000XM3



DIGITAL NOISE

Bluetooth[®]

©2019 Sony Corporation
 Printed in Malaysia
 Imprimé en Malaisie
 http://www.sony.net/

Headset / Casque d'écoute: WF-1000XM3L, WF-1000XM3R
 FCC ID: AK8WF1000XM3
 IC: 409B-WF1000XM3

English

Wireless Noise Canceling Stereo Headset

RECYCLING RECHARGEABLE BATTERIES
 Rechargeable batteries are recyclable. You can help preserve our environment by returning your used rechargeable batteries to the collection and recycling location nearest you. For more information regarding recycling of rechargeable batteries, visit <http://www.sony.com/electronics/eco/environmental-management>.
 Caution: Do not handle damaged or leaking rechargeable batteries.

FOR UNITED STATES CUSTOMERS. NOT APPLICABLE IN CANADA, INCLUDING IN THE PROVINCE OF QUEBEC.

POUR LES CONSOMMATEURS AUX ÉTATS-UNIS. NON APPLICABLE AU CANADA, Y COMPRIS LA PROVINCE DE QUÉBEC.

You are cautioned that any changes or modifications not expressly approved in this manual could void your authority to operate this equipment.

If you have any questions about this product:
Visit: www.sony.com/support
Contact: Sony Customer Information Service Center at 1-800-222-7669
Write: Sony Customer Information Service Center 12451 Gateway Blvd., Fort Myers, FL 33913
 Supplier's Declaration of Conformity Trade Name : SONY
 Model : WF-1000XM3
 Responsible Party : Sony Electronics Inc.
 Address : 16535 Via Esprillo, San Diego, CA 92127 U.S.A
 Telephone Number : 858-942-2230

For the customer in Canada

This device contains licence-exempt transmitter(s)/receiver(s) that comply with Innovation, Science and Economic Development Canada's licence-exempt RSS(s). Operation is subject to the following two conditions:
 (1) This device may not cause interference; and
 (2) This device must accept any interference, including interference that may cause undesired operation of the device.

The available scientific evidence does not show that any health problems are associated with using low power wireless devices. There is no proof, however, that these low power wireless devices are absolutely safe. Low power Wireless devices emit low levels of radio frequency energy (RF) in the microwave range while being used. Whereas high levels of RF can produce health effects (by heating tissue), exposure of low-level RF that does not produce heating effects causes no known adverse health effects. Many studies of low-level RF exposures have not found any biological effects. Some studies have suggested that some biological effects might occur, but such findings have not been confirmed by additional research. Wireless Noise Canceling Stereo Headset (WF-1000XM3) has been tested and found to comply with ISED radiation exposure limits set forth for an uncontrolled environment and meets RSS-102 of the ISED radio frequency (RF) Exposure rules.

High volume may affect your hearing. Do not use the unit while walking, driving or cycling. Doing so may cause traffic accidents. Do not use at a dangerous place unless the surrounding sound can be heard.

The unit is not waterproof. If water or foreign objects enter the unit, it may result in fire or electric shock. If water or a foreign object enters the unit, stop use immediately and consult your nearest Sony dealer. In particular, be careful in the following cases.
 - When using the unit around a sink, etc. Be careful that the unit does not fall into a sink or container filled with water.
 - When using the unit in the rain or snow, or in humid locations
 - When using the unit while you are sweaty
 If you touch the unit with wet hands, or put the unit in the pocket of a damp article of clothing, the unit may get wet.

For details on the effect of contact to the human body from the mobile phone or other wireless devices connected to the unit, refer to the instruction manual of the wireless device.

Install the earbuds firmly. Otherwise, they may detach and be left in your ears, resulting in injury or illness.

There is a danger that this unit or its small parts may be swallowed. After use, store the unit in the charging case and store in a location out of the reach of small children.

Note on static electricity
 Static electricity accumulated in the body may lead to tingling in your ears. To reduce the effect, wear clothes made from natural materials, which suppress the generation of static electricity.

IMPORTANT: THE FACTORY DEFAULT SETTING OF THE VOICE GUIDANCE FOR THIS UNIT IS ENGLISH.

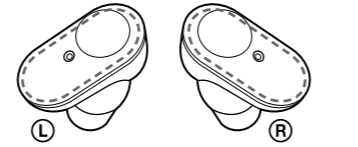
The voice guidance can be heard from the unit when:
 • When powering on: "Power on"
 • When powering off: "Power off"
 • When the remaining battery level is low and recharge is recommended: "Low battery, please recharge headset"
 • When automatically turning off due to low battery: "Please recharge headset. Power off"
 • When checking the remaining battery level: "Battery fully charged" / "Battery about 70 %" / "Battery about 50 %"

• When entering pairing mode: "Bluetooth pairing"
 • When establishing a Bluetooth connection: "Bluetooth connected"
 • When disconnecting a Bluetooth connection: "Bluetooth disconnected"
 • When turning on the noise canceling function: "Noise canceling"
 • When turning on the Ambient Sound Mode: "Ambient sound"
 • When turning off the noise canceling function and the Ambient Sound Mode: "Ambient sound control off"
 • The Google Assistant button was pressed, but the Google Assistant was not available on the smartphone connected to the headset: "The Google Assistant is not connected"

Precautions

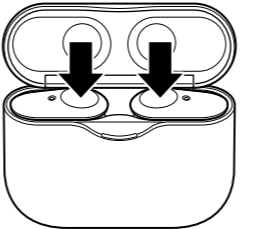
On BLUETOOTH® communications

- Bluetooth wireless technology operates within a range of about 10 m (30 feet). The maximum communication distance may vary depending on the presence of obstacles (people, metal objects, walls, etc.) or the electromagnetic environment.
- Bluetooth communications may not be possible, or noise or audio dropout may occur under the following conditions:
 - When there is a person between the unit and the Bluetooth device. This situation may be improved by positioning the Bluetooth device so that it faces the antenna of the unit.
 - When there is an obstacle, such as a metal object or a wall, between the unit and the Bluetooth device.
 - When a Wi-Fi device or microwave oven is in use, or microwaves are emitted near the unit.
 - Compared to use indoors, use outdoors is subjected little to signal reflection from walls, floors, and ceilings, which results in audio dropout occurring more frequently than use indoors.
 - The antenna is built into the unit as indicated by the dotted line in the illustration below. The sensitivity of the Bluetooth communications can be improved by removing any obstacles between the connected Bluetooth device and the antenna of this unit.



- Bluetooth and Wi-Fi (IEEE802.11b/g/n) devices use the same frequency (2.4 GHz). When using the unit near a Wi-Fi device, electromagnetic interference may occur, resulting in noise, audio dropout, or the inability to connect. If this happens, try performing the following remedies:
 - Establish a connection between the unit and the Bluetooth device when they are at least 10 m (30 feet) away from the Wi-Fi device.
 - Turn off the Wi-Fi device when using the unit within 10 m (30 feet) of the Wi-Fi device.
 - Position the unit and the Bluetooth device as near as possible to each other.
- Microwaves emitting from a Bluetooth device may affect the operation of electronic medical devices. Turn off this unit and other Bluetooth devices in the following locations, as it may cause an accident:
 - in hospitals, near priority seating in trains, locations where inflammable gas is present, near automatic doors, or near fire alarms.
- The audio playback on this unit may be delayed from that on the transmitting device, due to the characteristics of Bluetooth wireless technology. As a result, the sound may not be in sync with the image when viewing movies or playing games.
- This product emits radio waves when used in wireless mode.
 When used in wireless mode on an airplane, follow flight crew directions regarding permissible use of products in wireless mode.
- The unit supports security functions that comply with the Bluetooth standard as a means of ensuring security during communication using Bluetooth wireless technology. However, depending on the configured settings and other factors, this security may not be sufficient. Be careful when communicating using Bluetooth wireless technology.
 • Sony shall assume no responsibility for any damages or loss resulting from information leaks that occur when using Bluetooth communications.
 • Connection with all Bluetooth devices cannot be guaranteed.
 - Bluetooth devices connected with the unit must comply with the Bluetooth standard prescribed by Bluetooth SIG, Inc., and must be certified as compliant.
 - Even when a connected device complies with the Bluetooth standard, there may be cases where the characteristics or specifications of the Bluetooth device make it unable to connect, or result in different control methods, display, or operation.
 - When using the unit to perform hands-free talking on the phone, noise may occur depending on the connected device or the communication environment.
- Depending on the device to be connected, it may require some time to start communications.

If the unit does not operate properly
 Follow the procedure below to reset the unit. Put the units into the charging case, then touch and hold the touch sensor control panel on the left unit. When the indicator (red) on the unit turns off after flashing (after about 20 seconds), release the touch sensor control panel. Then, touch and hold the touch sensor control panel on the right unit. When the indicator (red) on the unit turns off after flashing (after about 20 seconds), release the touch sensor control panel. The pairing information and other settings are retained even when the unit is reset.



- If the problem persists even after the unit is reset, perform the procedure below to initialize the unit. Put the units into the charging case, then touch and hold the touch sensor control panel on the left and right unit simultaneously. When the indicators (red) start flashing (after about 10 seconds), release the touch sensor control panel. The indicator (blue) flashes 4 times, the unit is initialized, and the unit is reset to the factory settings. When the unit is initialized, all pairing information is deleted.
 • After the unit is initialized, it may not connect to your iPhone or computer. If this happens, delete the pairing information of the unit from the iPhone or computer, and then pair them again.

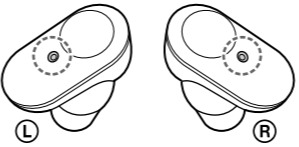
On the noise canceling function

- The noise canceling function senses external ambient noise (such as the noise inside a vehicle or the sound of air conditioning inside a room) with built-in microphones, and produces an equal-but-opposite sound that cancels out the ambient noise.
 - The noise canceling effect may not be pronounced in a very quiet environment, or some noise may be heard.
 - The noise canceling function works for noise in the low frequency band primarily. Although noise is reduced, it is not canceled completely.
 - When you use the unit in a train or a car, noise may occur depending on street conditions.
 - Mobile phones may cause interference and noise. Should this occur, locate the unit further away from the mobile phone.
 - Depending on how you wear the unit, the noise canceling effect may vary or a beeping sound (howling) may occur. If this happens, take off the unit and put it back on again.

If sound skips frequently during playback

- The situation may be improved by setting the sound quality mode to "priority on stable connection." For details, refer to the Help Guide.
- The situation may be improved by changing the wireless playback quality settings or fixing the wireless playback mode to SBC on the transmitting device. For details, refer to the operating instructions supplied with the transmitting device.

Do not cover the microphones of the unit with your hands or other objects. Doing so may prevent the noise canceling function or the Ambient Sound Mode from working properly, or may cause a beeping sound (howling) to occur. If this happens, take your hands or other object off of the microphones of the unit.



Notes on wearing the unit

- After use, remove the headphones slowly.
- Because the earbuds achieve a tight seal in the ears, forcibly pressing them in or quickly pulling them out can result in eardrum damage. When putting the earbuds into your ears, the speaker diaphragm may produce a click sound. This is not a malfunction.

On triple-comfort earbuds

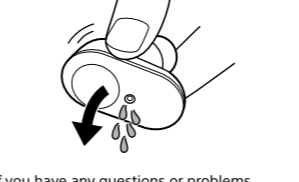
- The supplied triple-comfort earbuds provide a snug fit to effectively block out ambient noise.
- Prolonged use of snug-fitting earbuds may strain your ears. If you experience discomfort, discontinue use.
 - Do not pull on the foamed silicone portion of the earbuds. If the foamed silicone portion is separated from the earbuds, the earbuds will not function.
 - Do not subject the foamed silicone portion of the earbuds to pressure over long periods, as it may cause deformation.
 - The varying sizes of the holes on the foamed silicone portion of the earbuds have no effect on the sound quality.
 - You may hear a cracking noise in your ears when wearing the earbuds. This is not a malfunction.
 - The foam materials used in the earbuds deteriorate with long-term use and storage. Replace the earbuds if the deterioration results in reduced performance.

Other notes

- Do not subject the unit to excessive shock.
- The touch sensor may not operate properly if you apply stickers or other adhesive items to the touch sensor control panel.
- The Bluetooth function may not work with a mobile phone, depending on the signal conditions and the surrounding environment.
- If you experience discomfort while using the unit, stop using it immediately.
 • The earbuds may be damaged or deteriorate with long-term use and storage.
 • If the earbuds become dirty, remove them from the unit and gently wash them by hand using a neutral detergent. After cleaning, thoroughly wipe off any moisture.

Cleaning the unit

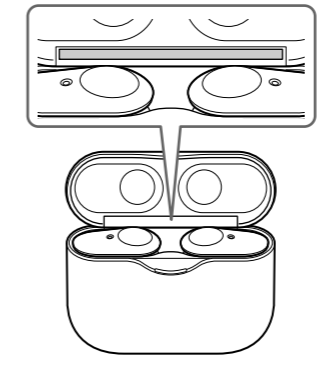
- When the outside of the unit is dirty, clean it by wiping with a soft dry cloth. If the unit is particularly dirty, soak a cloth in a dilute solution of neutral detergent, and wring it well before wiping. Do not use solvents such as thinner, benzene, or alcohol, as they may damage the surface.
 • Turn the microphone hole downward and gently tap it about five times towards a dry cloth etc. If any water drops are left in the microphone hole, it may cause corrosion.



- If you have any questions or problems concerning this unit that are not covered in this manual, please consult your nearest Sony dealer.

Replacement parts: Long hybrid silicone rubber earbuds, Triple-comfort earbuds
 Please consult your nearest authorized Sony retailer or www.sony.com for information about replacement parts.

Location of the serial number label



Specifications

Headset

Power source:
 DC 3.7 V: Built-in lithium-ion rechargeable battery
 DC 5 V: When charged using USB

Operating temperature:
 0 °C to 40 °C (32 °F to 104 °F)

Rated power consumption:
 1 W (Headset), 3 W (Charging case)

Usage hours:
 When connecting via the Bluetooth device
 Music playback time: Max. 6 hours (NC ON), Max. 6 hours (Ambient Sound Mode), Max. 8 hours (NC OFF)
 Communication time: Max. 4 hours (NC ON), Max. 4 hours (Ambient Sound Mode), Max. 4.5 hours (NC OFF)
 Standby time: Max. 9 hours (NC ON), Max. 8.5 hours (Ambient Sound Mode), Max. 15 hours (NC OFF)

Note: Usage hours may be shorter depending on the Codec and the conditions of use.

Charging time:
 Approx. 1.5 hours (Headset)
 (About 90 minutes of music playback is possible after 10 minutes charging.)
 Approx. 3.5 hours (Charging case)
 Note: Charging and usage hours may be different depending on the conditions of use.

Charging temperature:
 5 °C to 35 °C (41 °F to 95 °F)

Mass:
 Approx. 8.5 g × 2 (0.3 oz × 2) (Headset)
 Approx. 77 g (2.8 oz) (Charging case)

Included items:
 Wireless Noise Canceling Stereo Headset (1)
 USB Type-C™ cable (USB-A to USB-C™) (approx. 20 cm (7.88 in.)) (1)
 Long hybrid silicone rubber earbuds (S (1 line)) (2), S (2 lines) (2), M (3 lines) (attached to the unit at the factory) (2), L (4 lines) (2))
 Triple-comfort earbuds (S (orange)) (2), M (green) (2), L (light blue) (2))
 Charging case (1)

Communication specification

Communication system:
 Bluetooth Specification version 5.0

Output:
 Bluetooth Specification Power Class 1

Maximum communication range:
 Line of sight approx. 10 m (30 ft)¹⁾

Frequency band:
 2.4 GHz band (2,4000 GHz - 2,4835 GHz)

Compatible Bluetooth profiles²⁾:
 A2DP / AVRCP / HFP / HSP

Supported Codec³⁾:
 SBC / AAC

Transmission range (A2DP):
 20 Hz - 20,000 Hz (Sampling frequency 44.1 kHz)

- The actual range will vary depending on factors such as obstacles between devices, magnetic fields around a microwave oven, static electricity, reception sensitivity, antenna's performance, operating system, software application, etc.
- Bluetooth standard profiles include the purpose of Bluetooth communications between devices.
- Codec: Audio signal compression and conversion format

Design and specifications are subject to change without notice.

System requirements for battery charge using USB

USB AC adaptor
 A commercially available USB AC adaptor capable of supplying an output current of 0.5 A (500 mA) or more

Compatible iPhone/iPod models

iPhone X, iPhone 8 Plus, iPhone 8, iPhone 7 Plus, iPhone 7, iPhone SE, iPhone 6s Plus, iPhone 6s, iPhone 6 Plus, iPhone 6, iPhone 5s, iPod touch (6th generation)
 (As of May 2019)

Trademarks

- Apple, iPhone, iPod and iPod touch are trademarks of Apple Inc., registered in the U.S. and other countries.
- Use of the Made for Apple badge means that an accessory has been designed to connect specifically to the Apple product(s) identified in the badge, and has been certified by the developer to meet Apple performance standards. Apple is not responsible for the operation of this device or its compliance with safety and regulatory standards.
- Android is a trademark of Google LLC.
- The Bluetooth® word mark and logos are registered trademarks owned by the Bluetooth SIG, Inc. and any use of such marks by Sony Corporation is under license.
- The N-Mark is a trademark or registered trademark of NFC Forum, Inc. in the United States and in other countries.
- USB Type-C™ and USB-C™ are trademarks of USB Implementers Forum.
- Other trademarks and trade names are those of their respective owners.

Français

Casque stéréo sans fil réducteur de bruits

RECYCLAGE DES ACCUMULATEURS RECHARGEABLES
 Les accumulateurs rechargeables sont recyclables. Vous pouvez contribuer à préserver l'environnement en rapportant les piles usées dans un point de collection et recyclage le plus proche.
 Pour plus d'informations sur le recyclage des accumulateurs, visitez <http://www.sony.com/electronics/eco/environmental-management>
 Attention: Ne pas utiliser des accumulateurs rechargeables qui sont endommagés ou qui fuient.

Pour la clientèle au Canada
 L'émetteur/récepteur exempt de licence contenu dans le présent appareil est conforme aux CNR d'Innovation, Sciences et Développement économique Canada applicables aux deux conditions suivantes :
 1) l'appareil ne doit pas produire de brouillage;
 2) l'utilisateur de l'appareil doit accepter tout brouillage radioélectrique subi, même si le brouillage est susceptible d'en compromettre le fonctionnement

Les connaissances scientifiques dont nous disposons n'ont mis en évidence aucun problème de santé associé à l'usage des appareils sans fil à faible puissance. Nous ne sommes cependant pas en mesure de prouver que ces appareils sans fil à faible puissance sont entièrement sans danger. Les appareils sans fil à faible puissance émettent une énergie fréquence radioélectrique (RF) très faible dans le spectre des micro-ondes lorsqu'ils sont utilisés. Alors qu'une dose élevée de RF peut avoir des effets sur la santé (en chauffant les tissus), l'exposition à de faibles RF qui ne produisent pas de chaleur n'a pas de mauvais effets connus sur la santé. De nombreuses études ont été menées sur les expositions aux RF faibles et n'ont découvert aucun effet biologique. Certaines études ont suggéré qu'il pouvait y avoir certains effets biologiques, mais ces résultats n'ont pas été confirmés par des recherches supplémentaires. Casque stéréo sans fil réducteur de bruits (WF-1000XM3) a été testé et jugé conforme aux limites d'exposition aux rayonnements ISDE énoncées pour un environnement non contrôlé et respecte les règles d'exposition aux fréquences radioélectriques (RF) CNR-102 de l'ISDE.

Un volume élevé peut affecter votre ouïe.

N'utilisez pas l'appareil pendant que vous marchez, conduisez ou faites du vélo. Vous risqueriez de provoquer des accidents de la circulation.

Ne l'utilisez pas à un endroit dangereux, à moins que vous puissiez entendre les sons environnants.

L'appareil n'est pas résistant à l'eau. Si de l'eau ou des corps étrangers pénètrent dans l'appareil, cela peut entraîner un incendie ou un choc électrique. Si de l'eau ou un corps étranger pénètre dans l'appareil, cessez immédiatement de l'utiliser et consultez votre détaillant Sony le plus proche. N'oubliez pas de suivre, notamment, les précautions ci-dessous.
 - Utilisation près d'un évier, etc.
 Veillez à ce que l'appareil ne tombe pas dans un évier ou un récipient rempli d'eau.
 - Utilisation sous la pluie ou la neige ou dans des endroits humides
 - Utilisation pendant que vous respirez
 Si vous touchez l'appareil avec les mains mouillées ou le mettez dans la poche d'un vêtement humide, l'appareil peut devenir mouillé.

Pour plus de renseignements sur l'effet de contact sur le corps humain que peut avoir un téléphone mobile ou autre périphérique sans fil connecté à l'appareil, consultez le manuel d'instructions du périphérique sans fil.

Installez fermement les oreillettes. Sinon, elles peuvent se détacher et rester dans vos oreilles, entraînant des blessures ou des maladies.

Il y a un risque que cet appareil ou ses petites pièces puissent être avalés. Après l'utilisation, rangez l'appareil dans l'étui de chargement et rangez-le dans un endroit hors de portée des enfants.

Remarque sur l'électricité statique
 L'électricité statique accumulée dans votre corps peut causer une légère sensation de picotement dans vos oreilles. Pour réduire l'effet, portez des vêtements fabriqués à partir de matériaux naturels, qui permettent d'éviter la production d'électricité statique.

IMPORTANT : LE RÉGLAGE D'USINE PAR DÉFAUT DU GUIDAGE VOCAL POUR CET APPAREIL EST L'ANGLAIS.

Le guidage vocal peut se faire entendre en provenance de l'appareil :
 • Lors de la mise en marche : « Power on » (Marche)
 • Lors de la mise en arrêt : « Power off » (Arrêt)
 • Lorsque le niveau restant de la batterie est faible et qu'une recharge est recommandée : « Low battery, please recharge headset » (Batterie faible, veuillez recharger le casque d'écoute)
 • Lors de la mise en arrêt automatique en raison du niveau batterie faible : « Please recharge headset. Power off » (Veuillez recharger le casque d'écoute. Arrêt)

• Lors de la vérification du niveau restant de la batterie : « Battery fully charged » / « Battery about 70% » / « Battery about 50% » (Batterie entièrement chargée / Batterie environ 70 % / Batterie environ 50 %)
 • Lorsque l'appareil passe en mode de jumelage : « Bluetooth pairing » (Jumelage Bluetooth)
 • Lors de l'établissement d'une connexion Bluetooth : « Bluetooth connected » (Bluetooth connecté)
 • Lors de la désactivation d'une connexion Bluetooth : « Bluetooth disconnected » (Bluetooth déconnecté)
 • Lors de l'activation de la fonction de réduction de bruits : « Noise canceling » (Réduction de bruits)

• Lors de l'activation du Mode sonore ambiant : « Ambient sound » (Son ambiant)
 • Lors de la désactivation de la fonction de réduction de bruits et du Mode sonore ambiant : « Ambient sound control off » (Contrôle sonore ambiant désactivé)
 • Le bouton Google Assistant a été enfoncé, mais Google Assistant n'était pas disponible sur le téléphone intelligent connecté au casque d'écoute : « The Google Assistant is not connected » (Google Assistant n'est pas connecté)

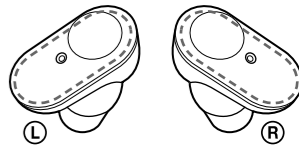
L'appareil doit être conforme à la norme Bluetooth prescrite par Bluetooth SIG, Inc., et doit être certifiés comme étant conformes.
 - Même lorsqu'un périphérique connecté est conforme à la norme Bluetooth, il peut y avoir des cas où les caractéristiques ou les spécifications du périphérique Bluetooth rendent la connexion impossible ou entraînent des différences dans les méthodes de commande, l'affichage ou le fonctionnement.
 - Lors de l'utilisation de l'appareil pour des appels en mode mains libres, du bruit peut se produire en fonction du périphérique connecté ou de l'environnement de communication.

Précautions

À propos des communications BLUETOOTH®

- La technologie sans fil Bluetooth fonctionne dans un rayon d'environ 10 m (30 pieds). La distance maximale de communication peut varier en fonction de la présence d'obstacles (personnes, objets métalliques, murs, etc.) ou de l'environnement électromagnétique.
- Les communications Bluetooth peuvent ne pas être possibles ou du bruit ou des pertes sonores peuvent se produire dans les conditions suivantes :
 - Lorsqu'il y a une personne entre l'appareil et le périphérique Bluetooth. Cette situation peut être améliorée en plaçant le périphérique Bluetooth de manière à ce qu'il soit face à l'antenne de l'appareil.
 - Lorsqu'il y a un obstacle, tel qu'un objet métallique ou un mur, entre l'appareil et le périphérique Bluetooth.
 - Lorsqu'un périphérique Wi-Fi ou un four à micro-ondes est en cours d'utilisation ou que des micro-ondes sont émises à proximité de l'appareil.
 - Comparativement à une utilisation intérieure, l'utilisation extérieure est peu soumise à la réflexion du signal sur les murs, les sols et les plafonds, ce qui entraîne une perte sonore plus fréquente que lors de l'utilisation à l'intérieur.

- L'antenne est intégrée à l'appareil comme un des corps étrangers pénètrent dans l'appareil, cela peut entraîner un incendie ou un choc électrique. Si de l'eau ou un corps étranger pénètre dans l'appareil, cessez immédiatement de l'utiliser et consultez votre détaillant Sony le plus proche. N'oubliez pas de suivre, notamment, les précautions ci-dessous.



- Les périphériques Bluetooth et Wi-Fi (IEEE802.11b/g/n) utilisent la même fréquence (2,4 GHz). Lors de l'utilisation de l'appareil à proximité d'un périphérique Wi-Fi, des interférences électromagnétiques peuvent se produire, entraînant du bruit, des pertes sonores ou l'impossibilité de se connecter. Si cela se produit, essayez les solutions suivantes :
 - Établissez une connexion entre l'appareil et le périphérique Bluetooth lorsqu'ils sont au moins à 10 m (30 pieds) du périphérique Wi-Fi.
 - Désactivez le périphérique Wi-Fi lorsque vous utilisez l'appareil à moins de 10 m (30 pieds) du périphérique Wi-Fi.
 - Placez l'appareil et le périphérique Bluetooth aussi près que possible l'un de l'autre.
- Les micro-ondes émises par un périphérique Bluetooth peuvent nuire au fonctionnement des dispositifs médicaux électroniques. Désactivez cet appareil et tout autre périphérique Bluetooth dans les endroits suivants, car cela peut entraîner un accident :
 - dans les hôpitaux, à proximité des places prioritaires dans les trains, aux endroits où des gaz inflammables sont présents, près des portes automatiques ou près des alarmes d'incendie.
- La lecture audio sur cet appareil peut être retardée par rapport à celle sur le périphérique émetteur en raison des caractéristiques de la technologie sans fil Bluetooth. Par conséquent, le son pourrait ne pas être synchronisé avec l'image lorsque vous visionnez un film ou jouez à un jeu.
- Ce produit émet des ondes radio lors de l'utilisation en mode sans fil.
 Lors de l'utilisation en mode sans fil dans un avion, suivez les instructions du équipage concernant l'utilisation permise des produits en mode sans fil.
- L'appareil prend en charge les fonctions de sécurité conformes à la norme Bluetooth en tant que moyen d'assurer la sécurité lors de la communication à l'aide de la technologie sans fil Bluetooth. Cependant, en fonction de la configuration des paramètres et d'autres facteurs, cette sécurité peut ne pas être suffisante. Faites attention lors de vos communications à l'aide de la technologie sans fil Bluetooth.
 • Sony n'assume aucune responsabilité pour tout dommage ou perte résultant de fuites d'informations se produisant lors de l'utilisation des communications Bluetooth.
 • La connexion avec tous les périphériques Bluetooth ne peut pas être garantie.
 - Les périphériques Bluetooth connectés à l'appareil doivent être conformes à la norme Bluetooth prescrite par Bluetooth SIG, Inc., et doivent être certifiés comme étant conformes.
 - Même lorsqu'un périphérique connecté est conforme à la norme Bluetooth, il peut y avoir des cas où les caractéristiques ou les spécifications du périphérique Bluetooth rendent la connexion impossible ou entraînent des différences dans les méthodes de commande, l'affichage ou le fonctionnement.

Si le son saute fréquemment pendant la lecture
 La situation peut être améliorée en réglant le mode de qualité sonore à « priorite à la connexion stable ». Pour plus de détails, consultez le Manuel d'aide.

La situation peut être améliorée en modifiant les paramètres de qualité de lecture sans fil en réglant le mode de lecture sans fil à SBC sur le périphérique émetteur. Pour plus de détails, consultez le mode d'emploi fourni avec le périphérique émetteur.

- Lorsque vous écoutez de la musique à partir d'un téléphone intelligent, la situation peut être améliorée en fermant les applications inutiles ou en redémarrant le téléphone intelligent.

À propos de l'utilisation des applications d'appel pour les téléphones intelligents et des ordinateurs

Cet appareil prend seulement en charge les appels entrants normaux. Les applications d'appel pour les téléphones intelligents et les ordinateurs ne sont pas prises en charge.

