

UTX-P40 Name Plate (FCC)

**SONY®** 5-014-616-01  
MODEL UTX-P40 **14**  
UHF SYNTHESIZED TRANSMITTER  
DC IN 3/5V=== 380mA  
FREQUENCY RANGE  
**14 - 25**  
470.125-541.875MHz

This device complies with part 15 of the FCC Rules. Operation is subject to the following two conditions: (1) This device may not cause harmful interference, and (2) this device must accept any interference received, including interference that may cause undesired operation.

CAN ICES-3 (B)/NMB-3(B)  
IC : 409B-UTXP40  
FCC ID : AK8UTXP40  
Sony Corporation Made in Korea

No.

**SONY®** 5-014-616-11  
MODEL UTX-P40 **25**  
UHF SYNTHESIZED TRANSMITTER  
DC IN 3/5V=== 380mA  
FREQUENCY RANGE  
**25 - 36**  
536.125-607.875MHz

This device complies with part 15 of the FCC Rules. Operation is subject to the following two conditions: (1) This device may not cause harmful interference, and (2) this device must accept any interference received, including interference that may cause undesired operation.

CAN ICES-3 (B)/NMB-3(B)  
IC : 409B-UTXP40  
FCC ID : AK8UTXP40  
Sony Corporation Made in Korea

No.

**SONY®** 5-014-616-31  
MODEL UTX-P40 **90**  
UHF SYNTHESIZED TRANSMITTER  
DC IN 3/5V=== 380mA  
FREQUENCY RANGE  
**9J - 9K**  
941.625-951.875MHz  
**9L**  
953.000-956.125MHz  
956.625-959.625MHz

This device complies with part 15 of the FCC Rules. Operation is subject to the following two conditions: (1) This device may not cause harmful interference, and (2) this device must accept any interference received, including interference that may cause undesired operation.

FCC ID : AK8UTXP40  
Sony Corporation Made in Korea

No.

# UTX-P40 OUTLINE DRAWING

1 2 3 4 5 6 7 8

A

B

C

D

E

F

A

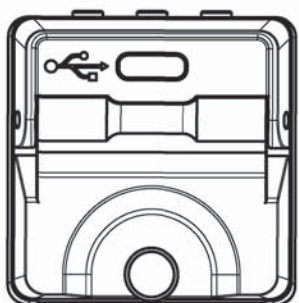
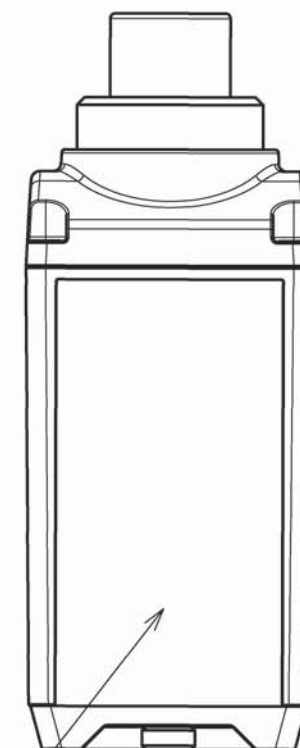
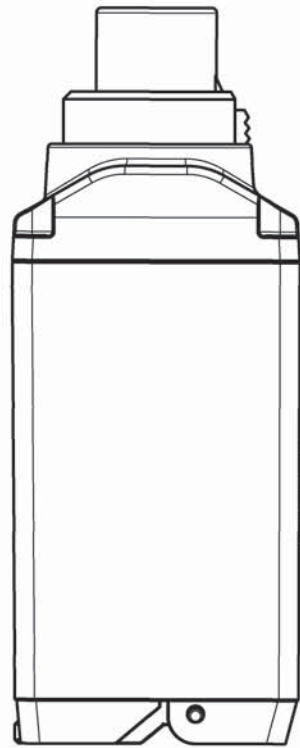
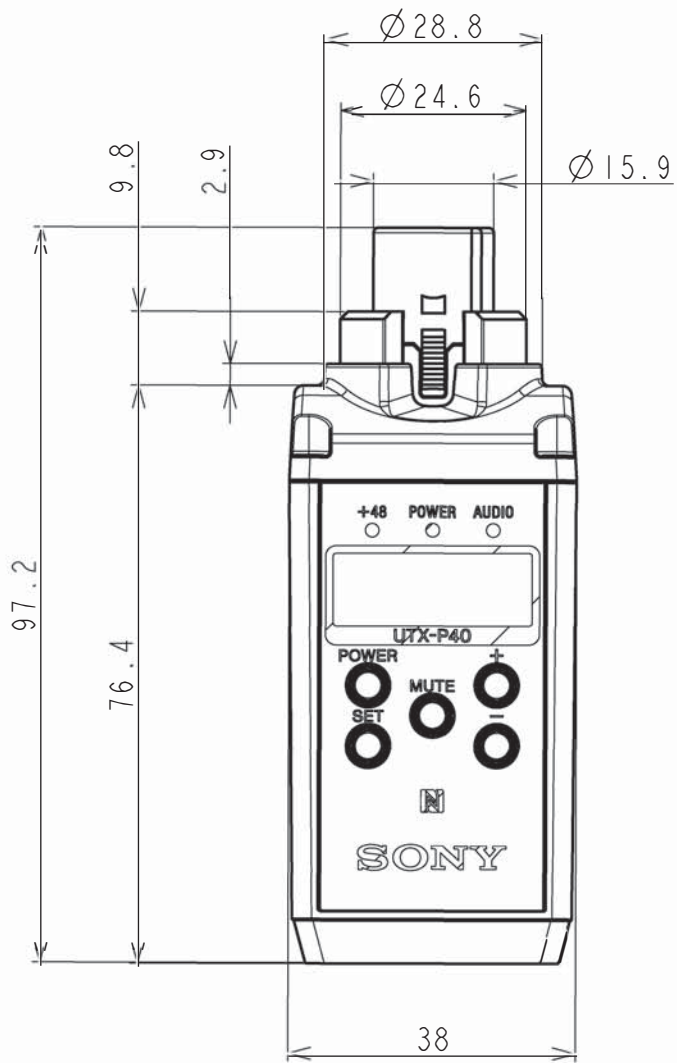
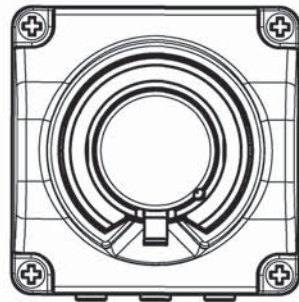
B

C

D

E

F



DRAWING

SONY STANDARD

NAME LABEL

DESCRIPTION (E)	LEGAL OWNER	SCALE 1:1
DESCRIPTION (J)	PART NO.	SHEET/PAGES 1/1