

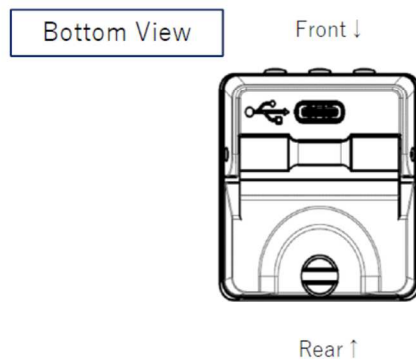
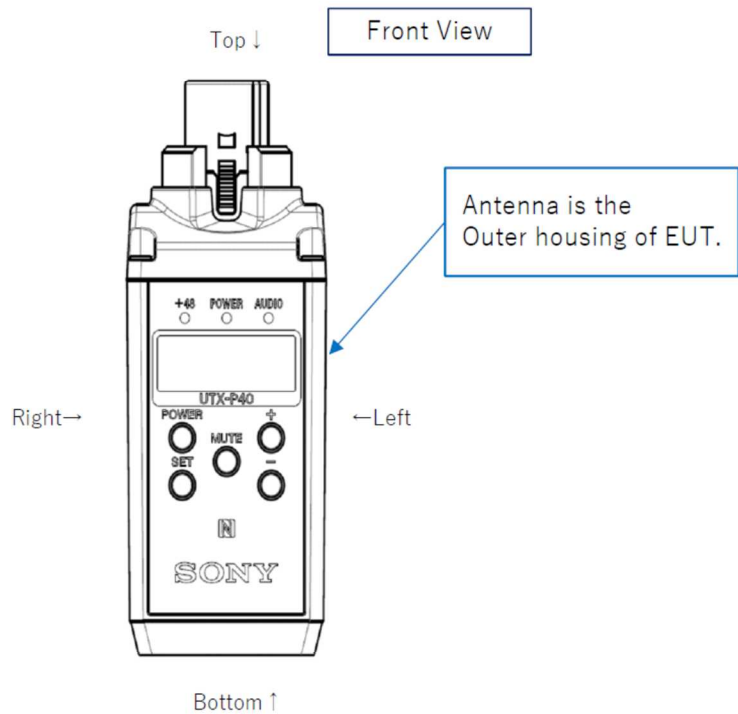
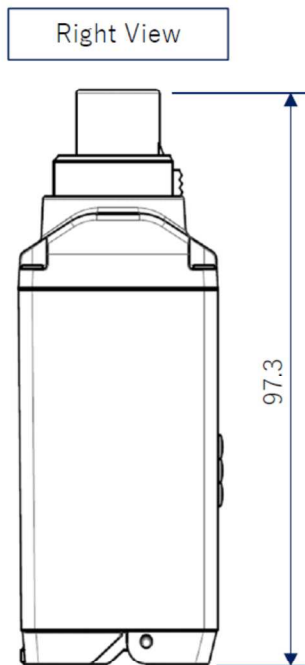
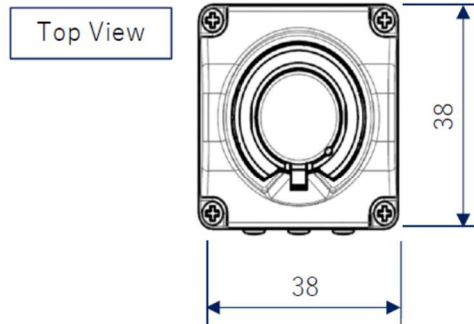
APPENDIX 4 : Photographs of test setup

Photographs of EUT

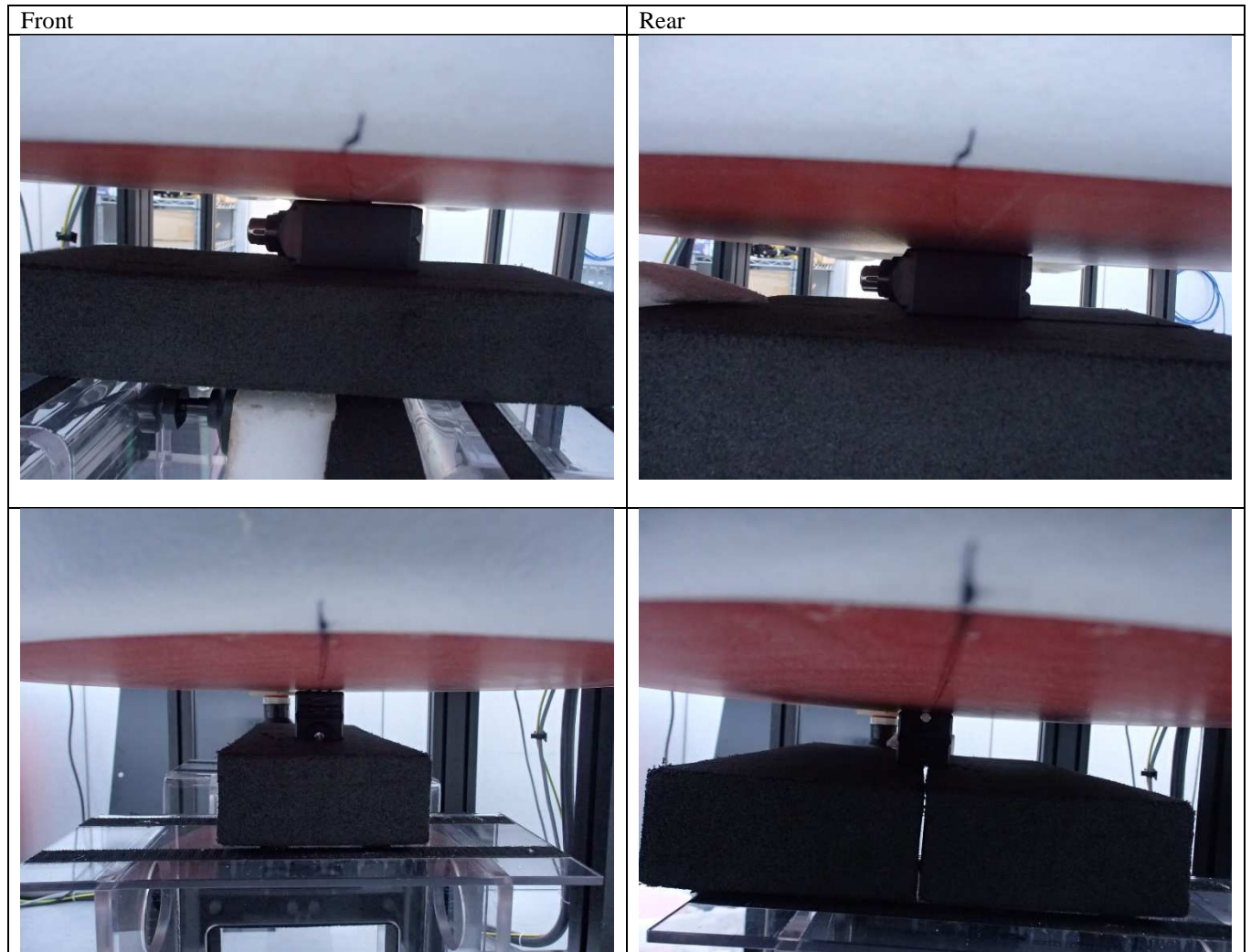


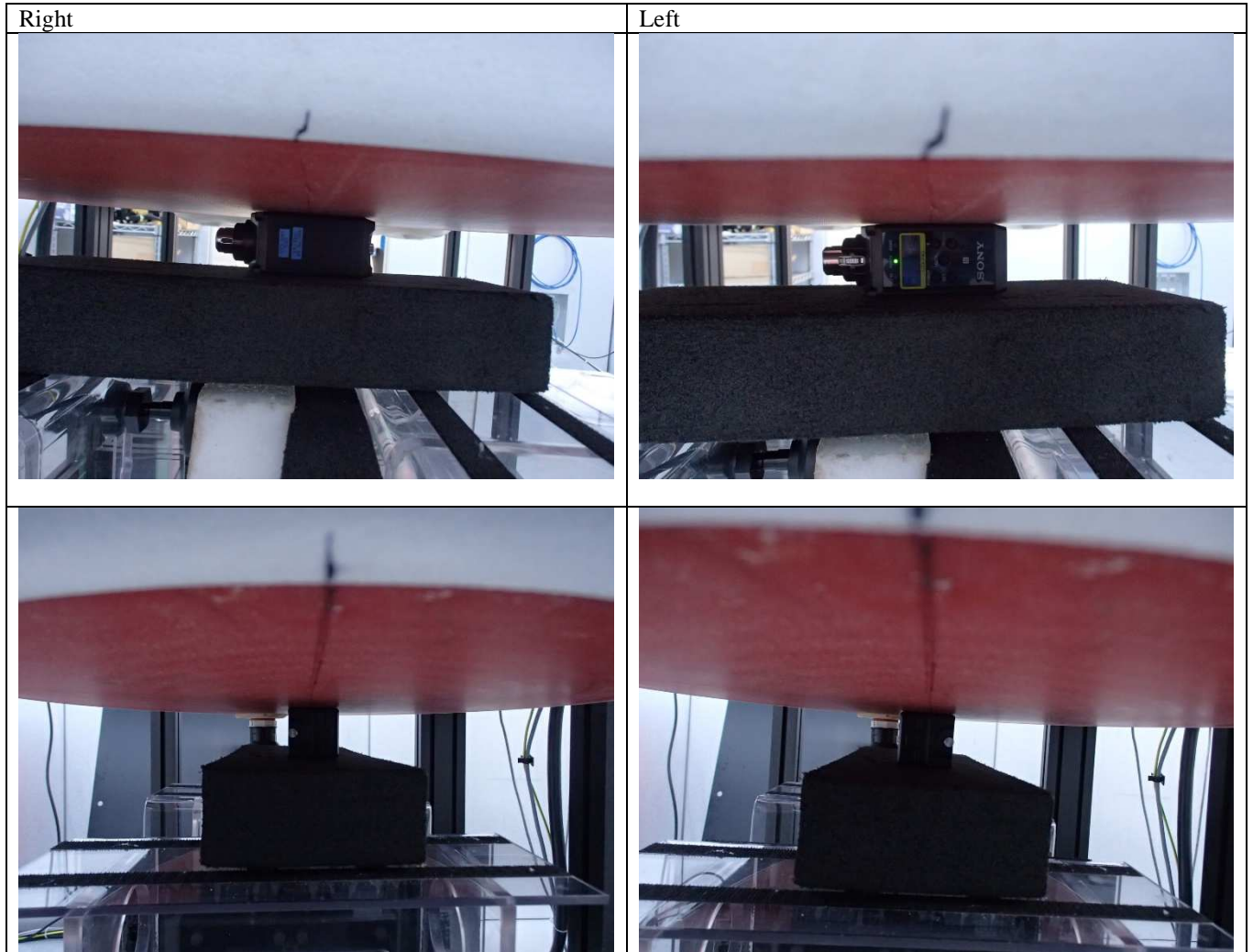
Antenna position

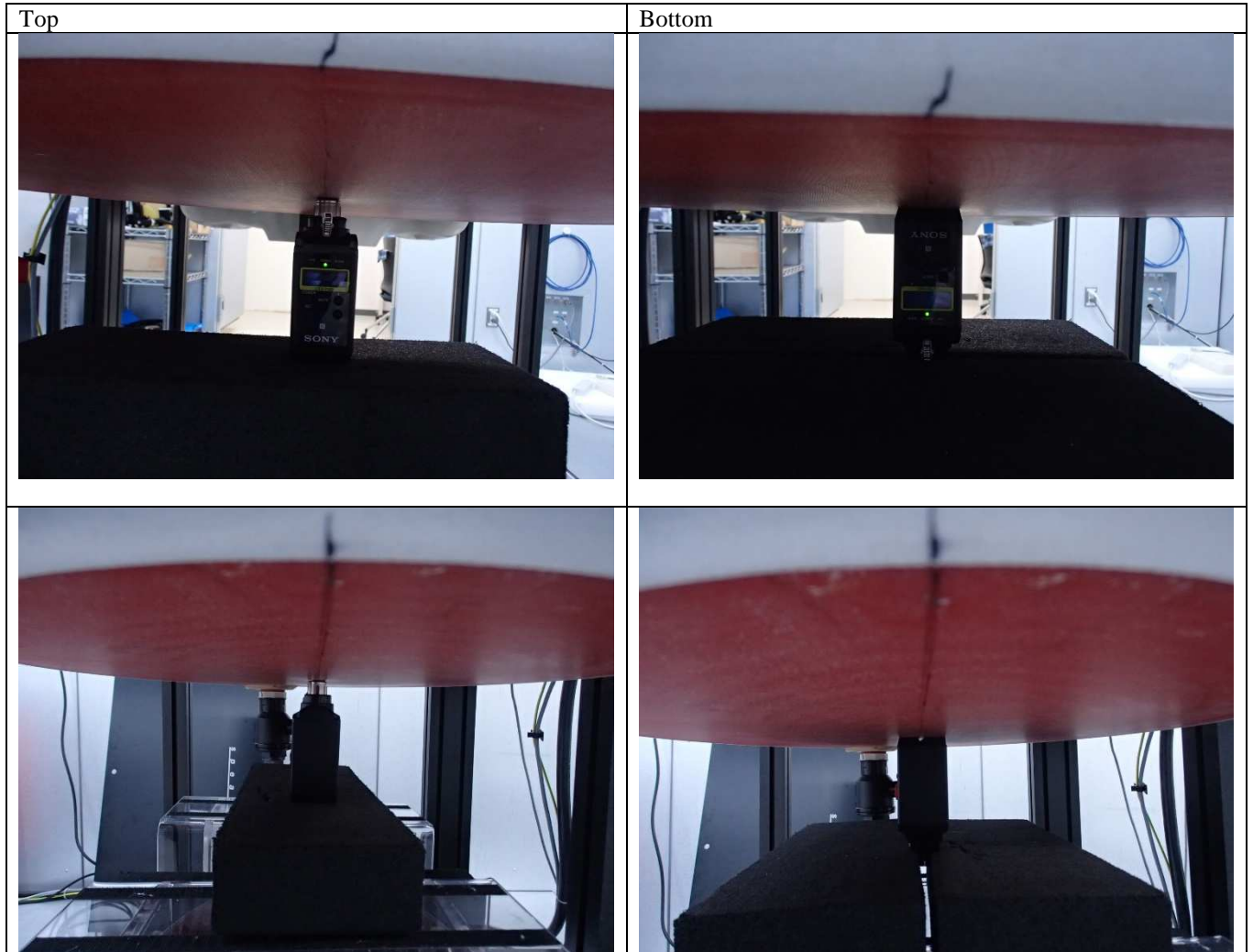
UTX-P40



Photographs of setup







End of Report