


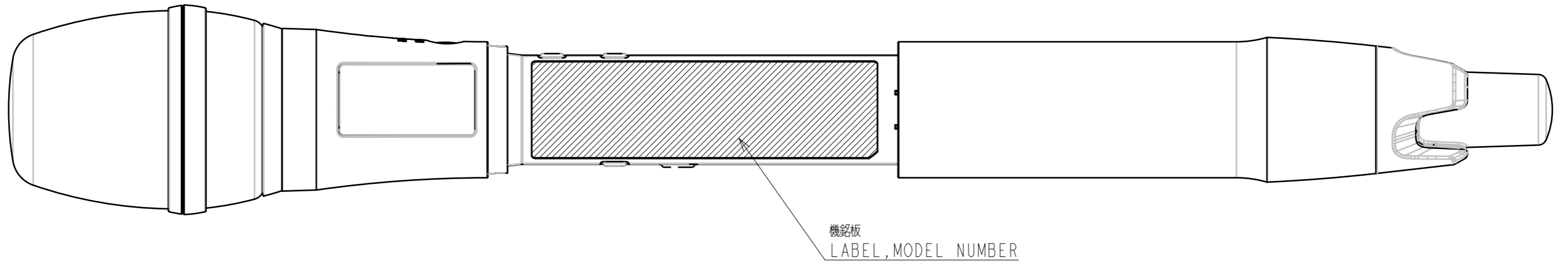
-	+	SONY®	MODEL UTX-M03	90
		UHF SYNTHESIZED WIRELESS MICROPHONE		
		FREQUENCY RANGE		
		941.625-951.875MHz	953.000-956.125MHz	956.625-959.625MHz
		FCC ID:AK8UTXM03A		
		THIS DEVICE COMPLIES WITH PART 15 OF THE FCC RULES. OPERATION IS SUBJECT TO THE FOLLOWING TWO CONDITIONS: (1) THIS DEVICE MAY NOT CAUSE HARMFUL INTERFERENCE, AND (2) THIS DEVICE MUST ACCEPT ANY INTERFERENCE RECEIVED, INCLUDING INTERFERENCE THAT MAY CAUSE UNDESIRED OPERATION.		
SYNC	SET		No. <input type="text"/>	BC
		Sony Corporation		
		Made in Korea		
		4-728-576-XX		

DRAWING

SONY STANDARD

DESCRIPTION (E) LABEL (M03U90), MODEL NUMBER	LEGAL OWNER Sony Global Manufacturing & Operations Corp.	SCALE 3:1
DESCRIPTION (J) キメラハル (M03U90)	TENTATIVE PART NO.	PART NO. 4-728-576-01
		SHEET/PAGES 2 / 2

UTX-M03



機銘板
LABEL, MODEL NUMBER