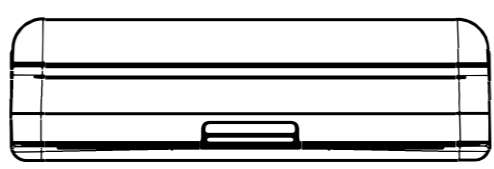
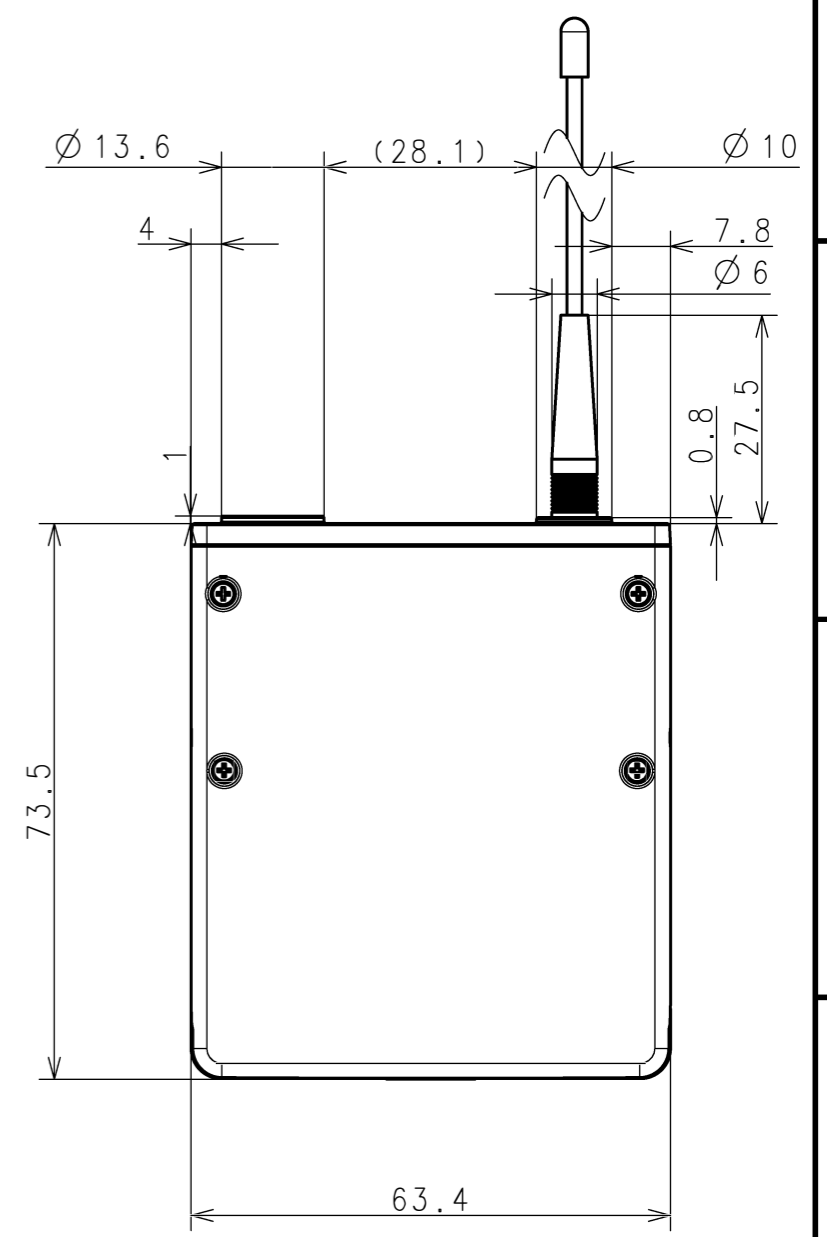
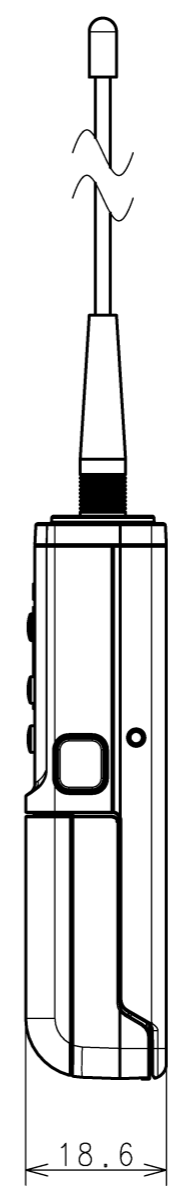
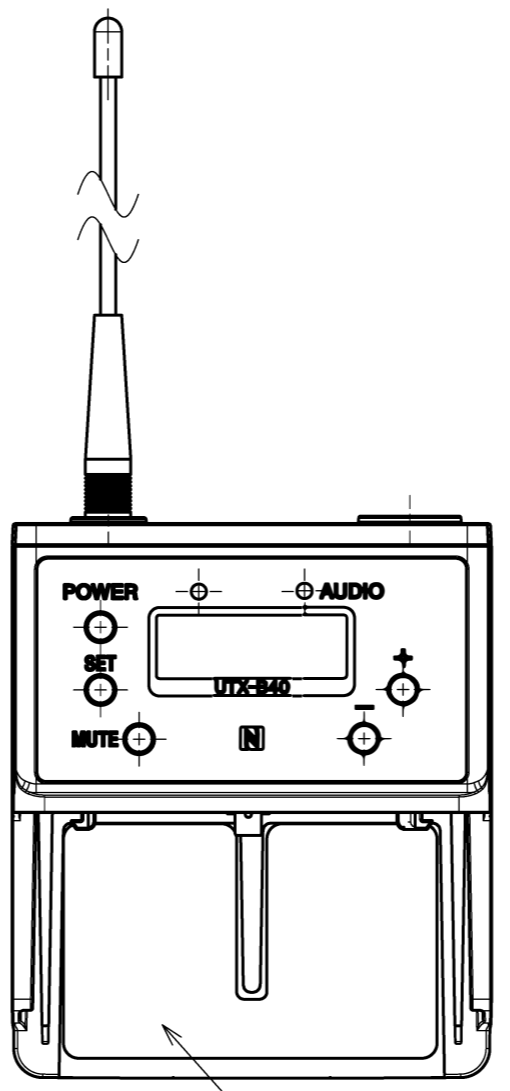
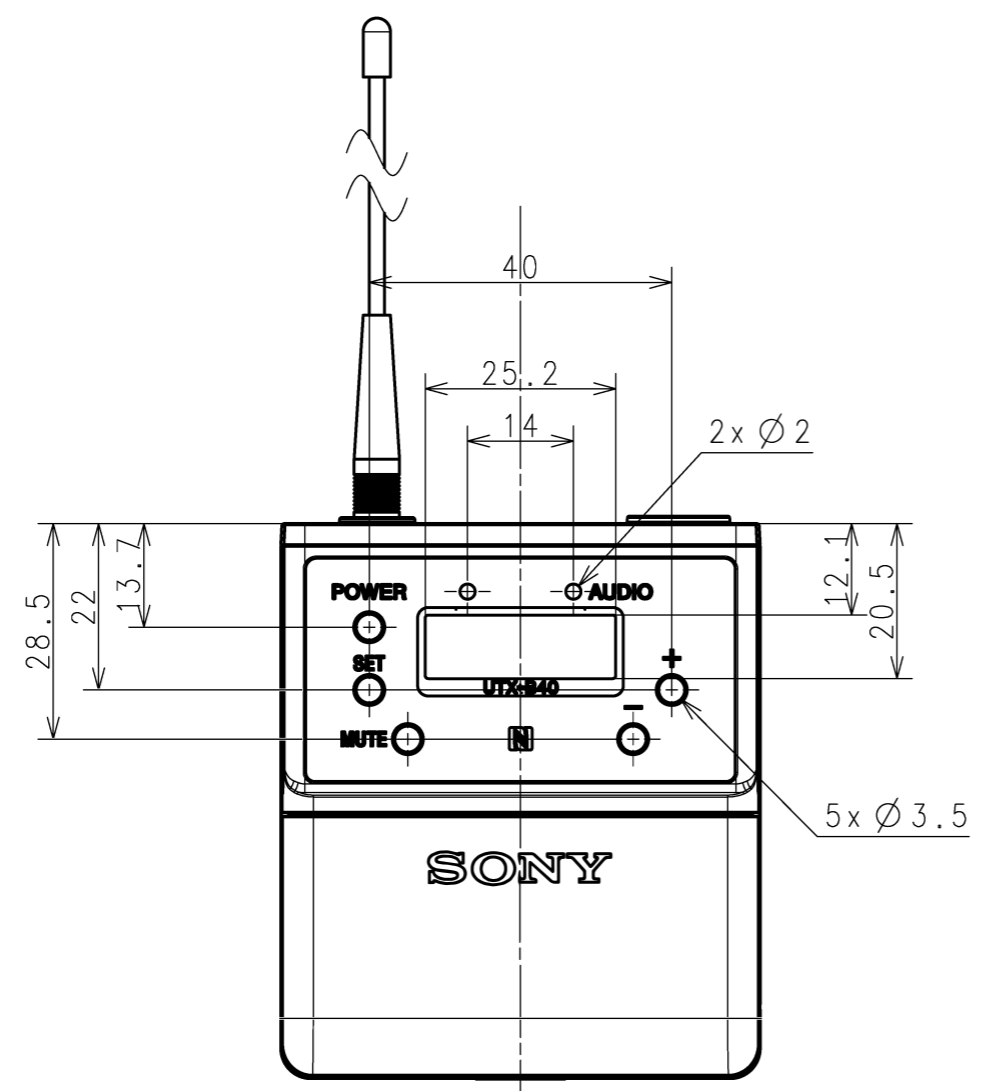
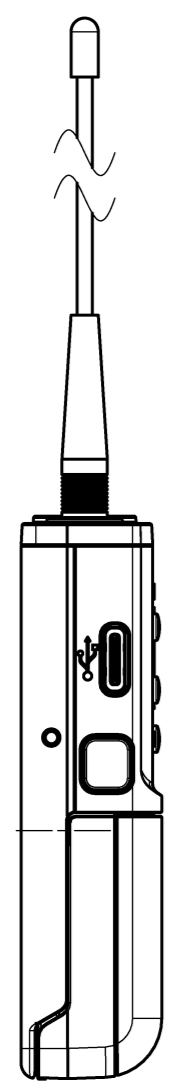
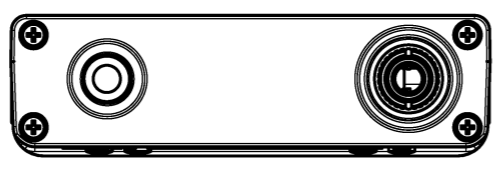


UTX-B40 OUTLINE DRAWING



DRAWING

SONY STANDARD

DESCRIPTION(E)	LEGAL OWNER	SCALE
DESCRIPTION(J)	PART NO.	SHEET/PAGES
		1 / 1