

A

B

C

D

E

F

A

B

C



D

E

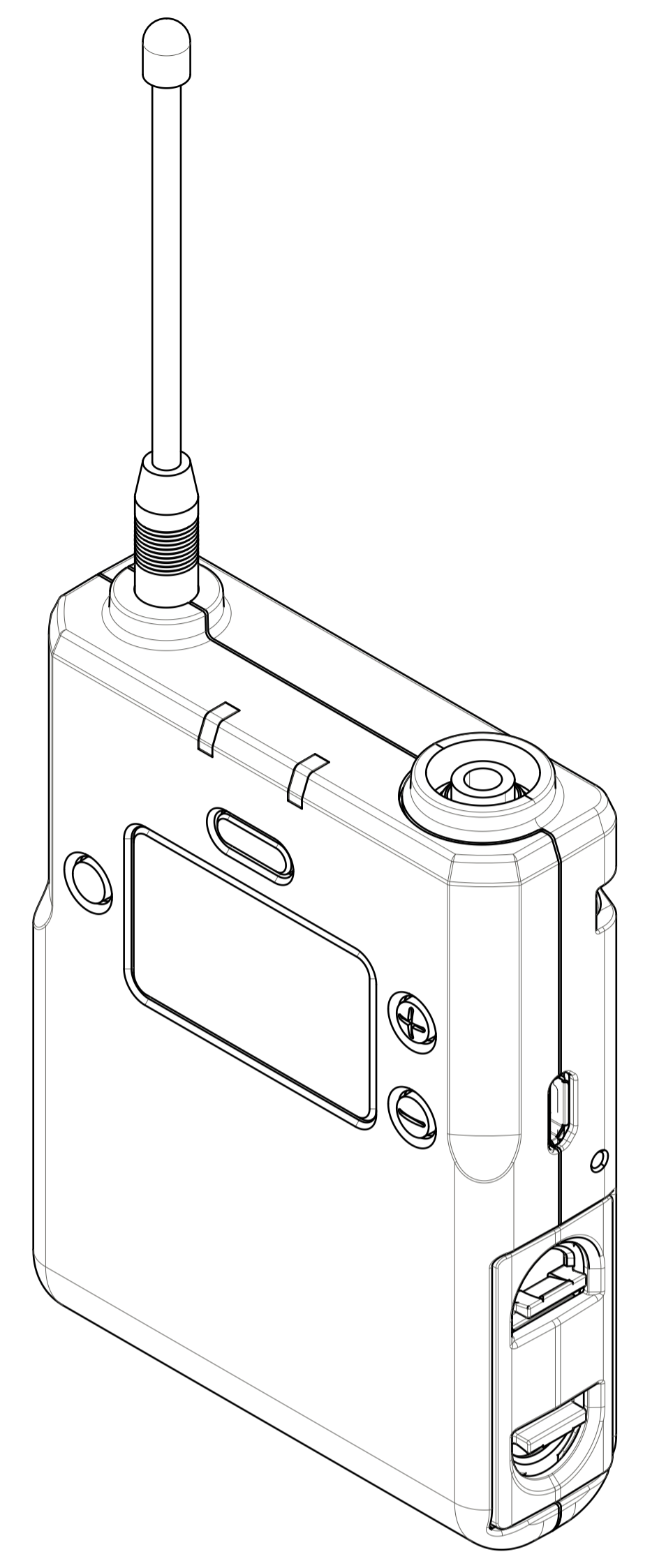
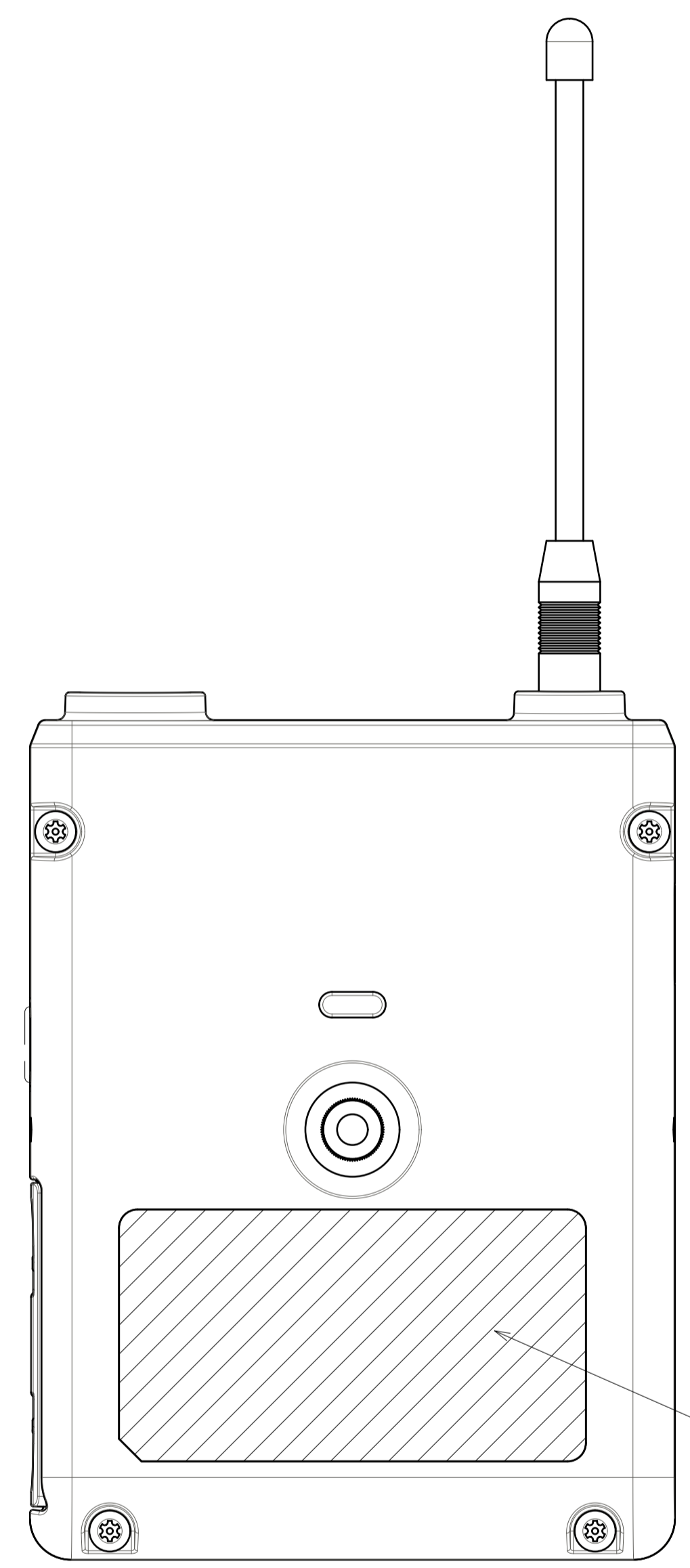
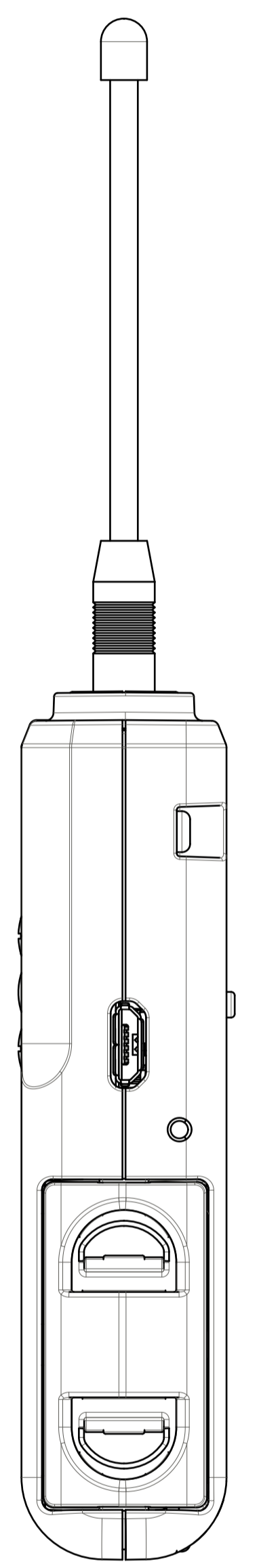
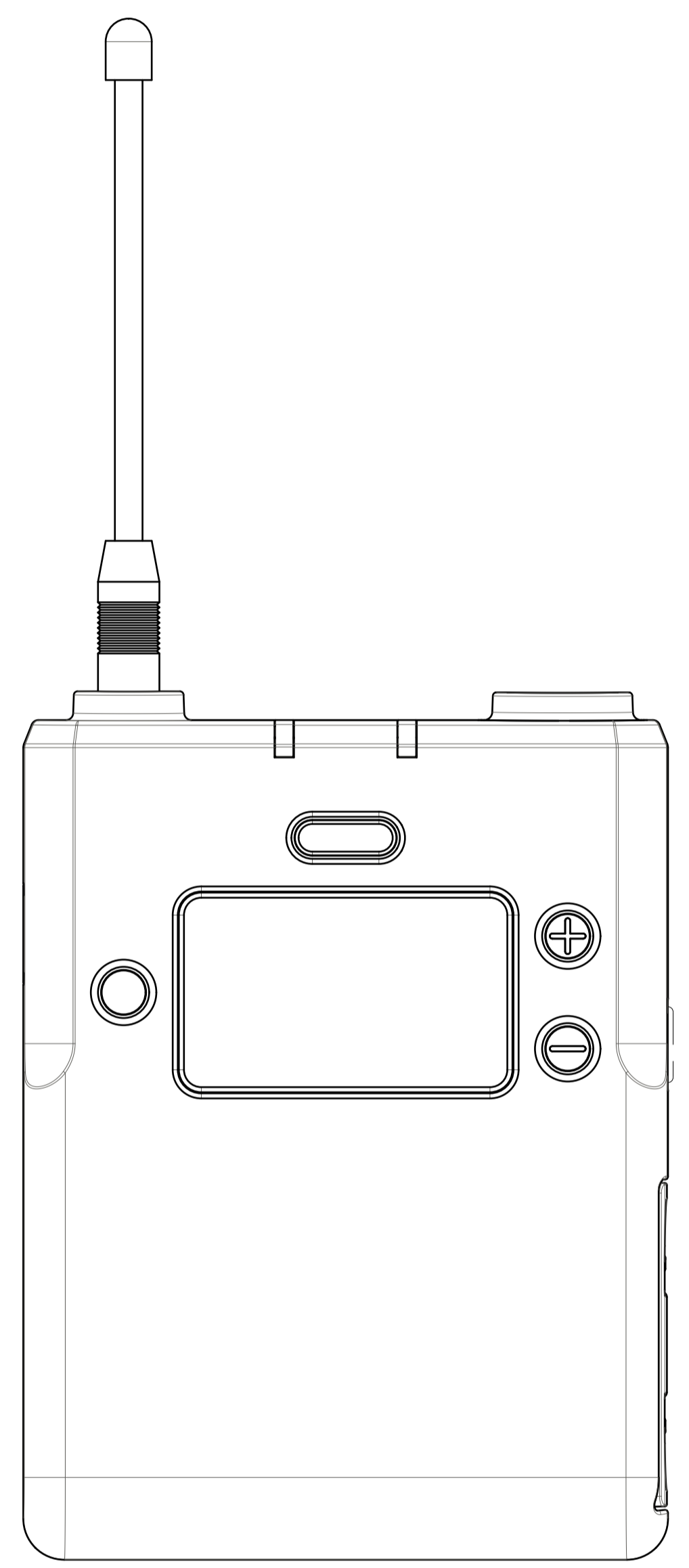
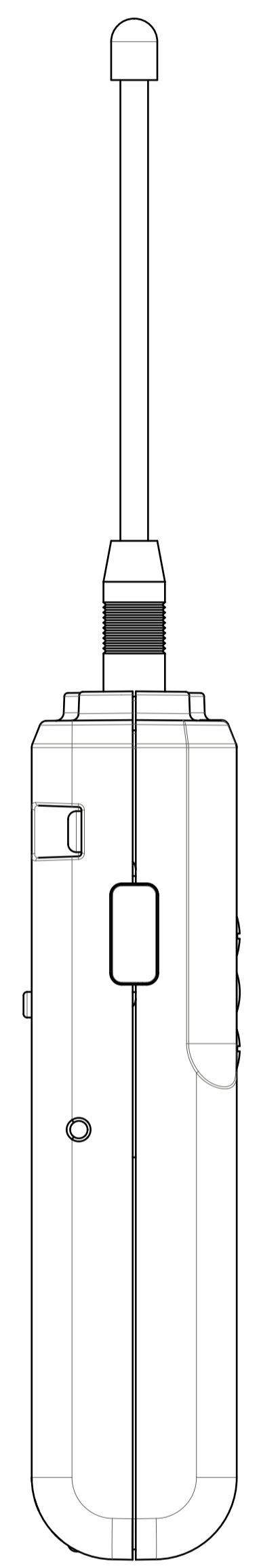
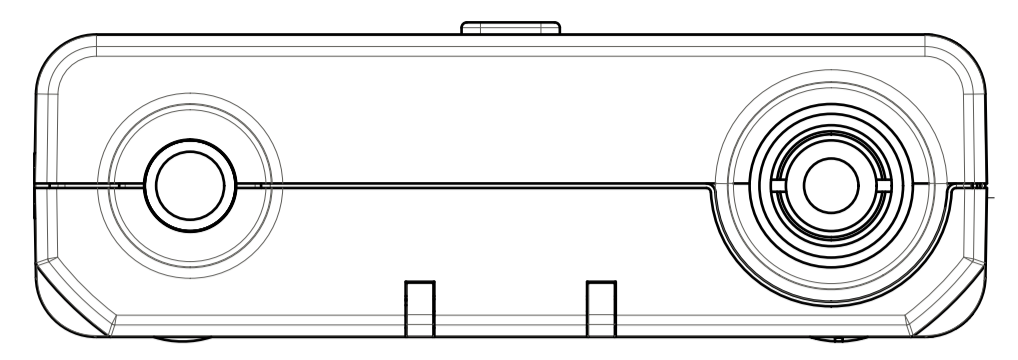
F

DRAWING

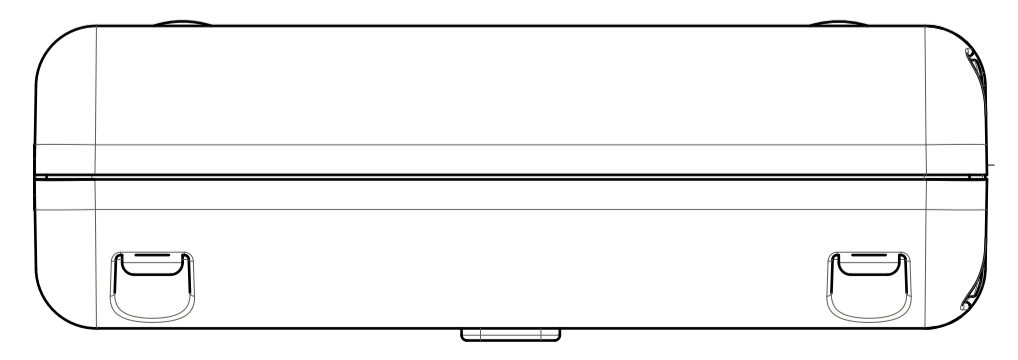
SONY STANDARD

SONY®	MODEL UTX-B03	90
UHF SYNTHESIZED TRANSMITTER		
FREQUENCY RANGE		DC IN 3V 
941.625-951.875MHz 953.000-956.125MHz 956.625-959.625MHz		
FCC ID:AK8UTXB03A		
THIS DEVICE COMPLIES WITH PART 15 OF THE FCC RULES. OPERATION IS SUBJECT TO THE FOLLOWING TWO CONDITIONS:(1)THIS DEVICE MAY NOT CAUSE HARMFUL INTERFERENCE,AND (2)THIS DEVICE MUST ACCEPT ANY INTERFERENCE RECEIVED,INCLUDING INTERFERENCE THAT MAY CAUSE UNDESIRED OPERATION.		
No. <input type="text"/>		Sony Corporation Made in Korea 4-728-575-XX

DESCRIPTION (E) LABEL(B03U90),MODEL NUMBER	LEGAL OWNER Sony Global Manufacturing & Operations Corp.	SCALE 3:1
DESCRIPTION (J) キマイラヘル(B03U90)	TENTATIVE PART NO.	PART NO. 4-728-575-01
		SHEET/PAGES 2 / 2



機銘板
LABEL, MODEL NUMBER



SONY STANDARD
DRAWING