

SONY®

MODEL UTX-B03

14

UHF SYNTHESIZED TRANSMITTER
FREQUENCY RANGE

DC IN 3V 

14 - 25 470.125-541.875MHz

FCC ID:AK8UTXB03 IC:409B-UTXB03 CAN ICES-3(B)/NMB-3(B)

THIS DEVICE COMPLIES WITH PART 15 OF THE FCC RULES. OPERATION IS SUBJECT TO THE FOLLOWING TWO CONDITIONS:(1)THIS DEVICE MAY NOT CAUSE HARMFUL INTERFERENCE,AND (2)THIS DEVICE MUST ACCEPT ANY INTERFERENCE RECEIVED,INCLUDING INTERFERENCE THAT MAY CAUSE UNDESIRED OPERATION.

No.



Sony Corporation
Made in Korea
4-527-500-XX

SONY®

MODEL UTX-B03

25

UHF SYNTHESIZED TRANSMITTER
FREQUENCY RANGE

DC IN 3V 

25 - 36 536.125-607.875MHz

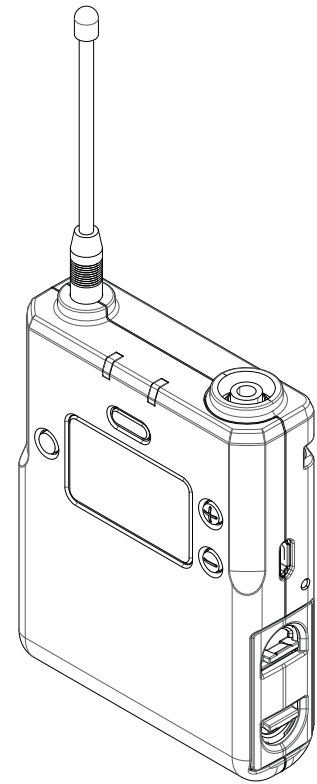
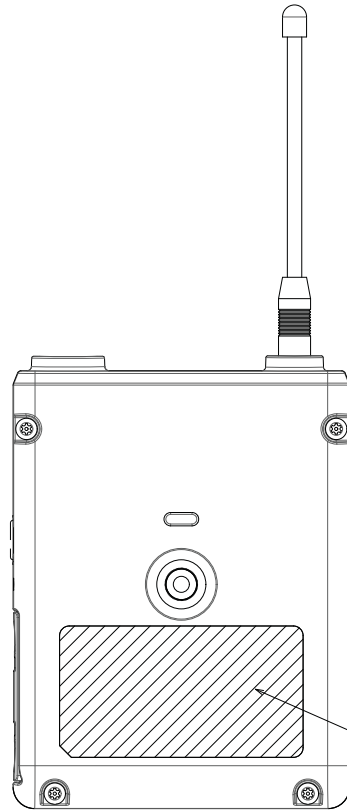
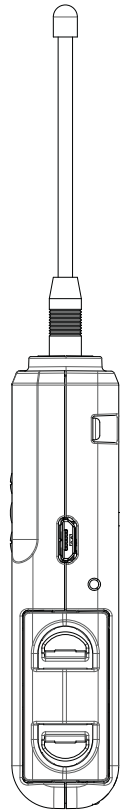
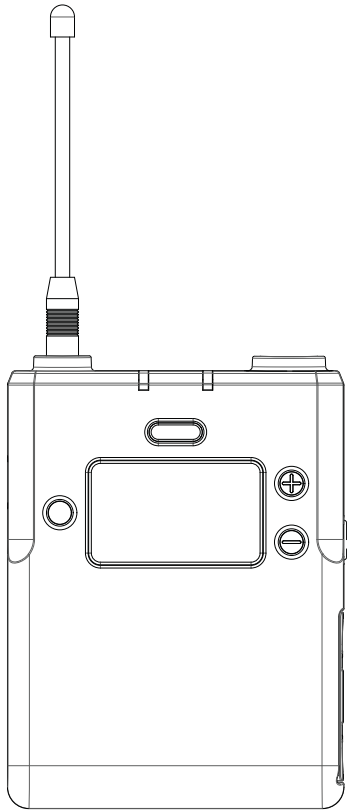
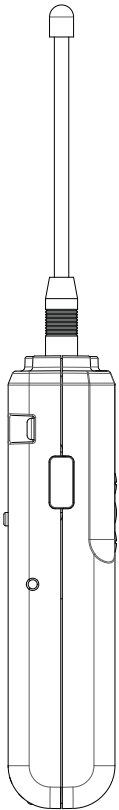
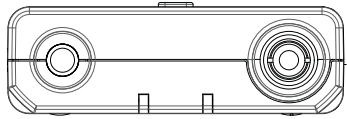
FCC ID:AK8UTXB03 IC:409B-UTXB03 CAN ICES-3(B)/NMB-3(B)

THIS DEVICE COMPLIES WITH PART 15 OF THE FCC RULES. OPERATION IS SUBJECT TO THE FOLLOWING TWO CONDITIONS:(1)THIS DEVICE MAY NOT CAUSE HARMFUL INTERFERENCE,AND (2)THIS DEVICE MUST ACCEPT ANY INTERFERENCE RECEIVED,INCLUDING INTERFERENCE THAT MAY CAUSE UNDESIRED OPERATION.

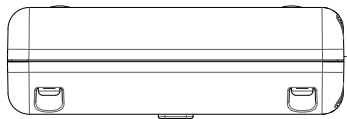
No.



Sony Corporation
Made in Korea
4-527-500-XX



機銘板
LABEL, MODEL NUMBER



SONY STANDARD DRAWING