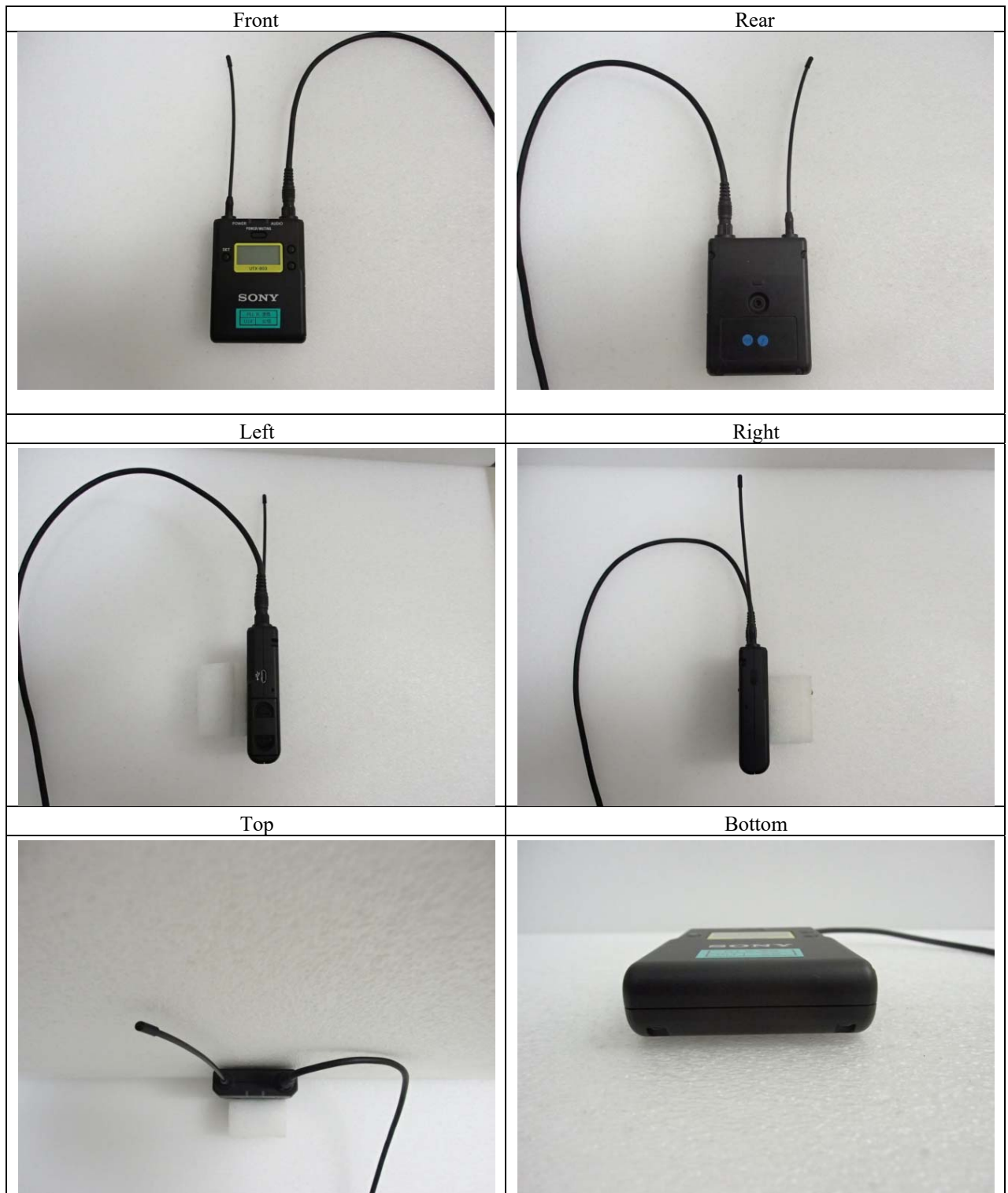
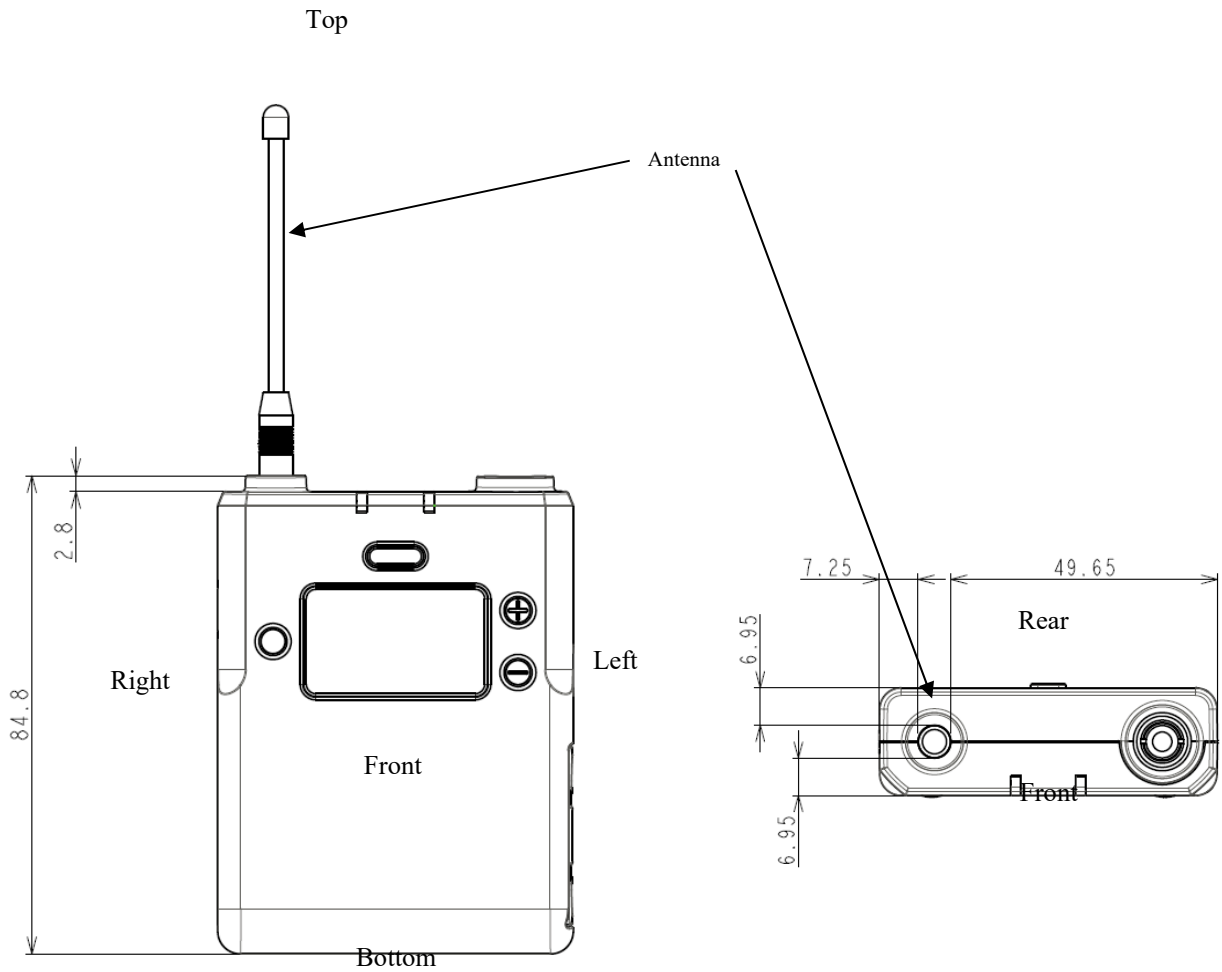


**APPENDIX 4 : Photographs of test setup**

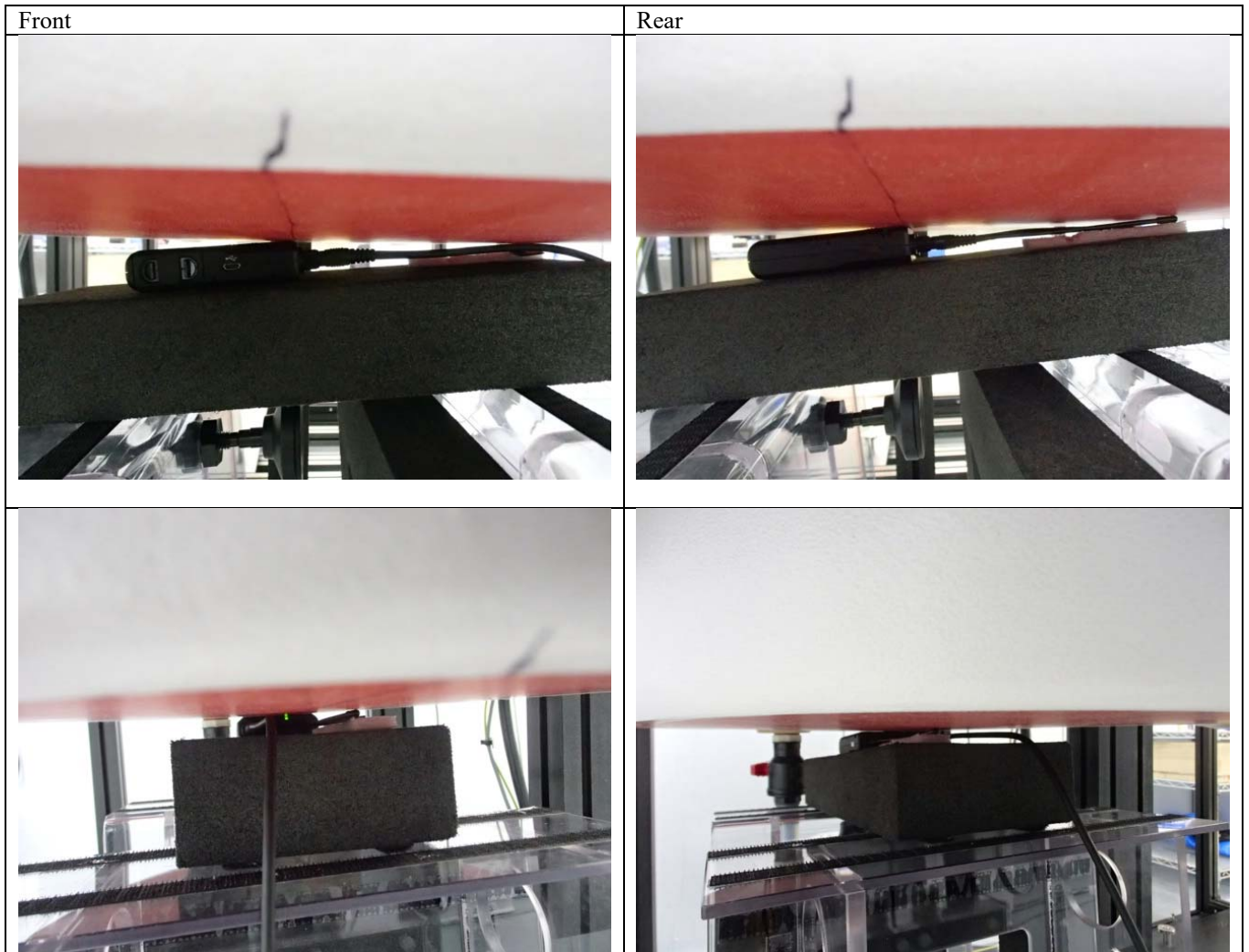
**Photographs of EUT**

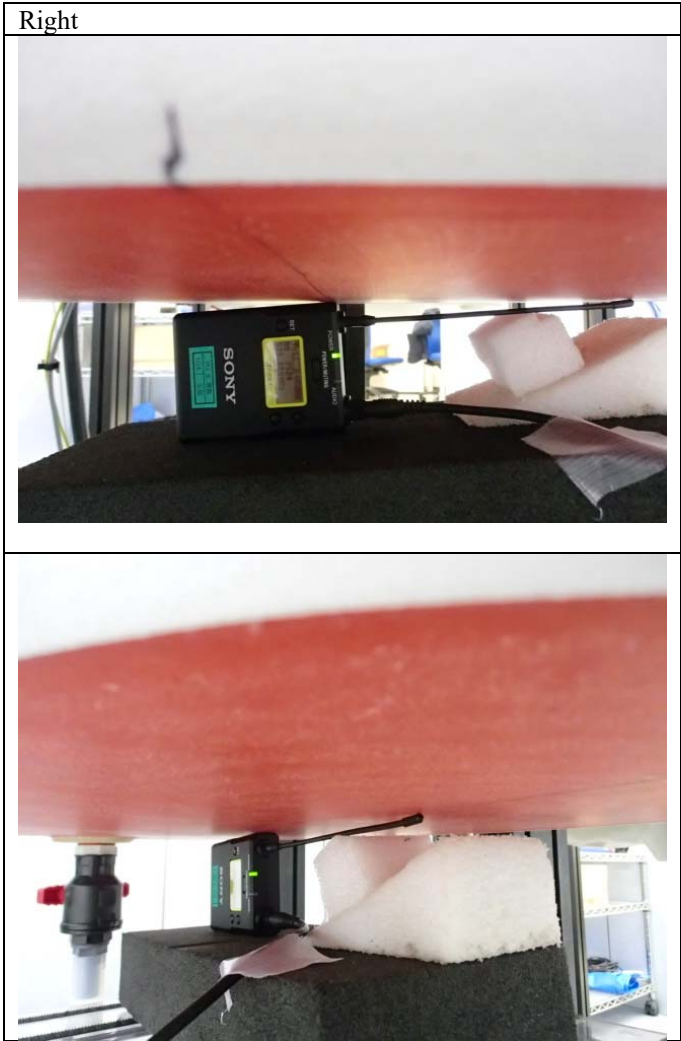


**Antenna position**



Photographs of setup





**End of Report**