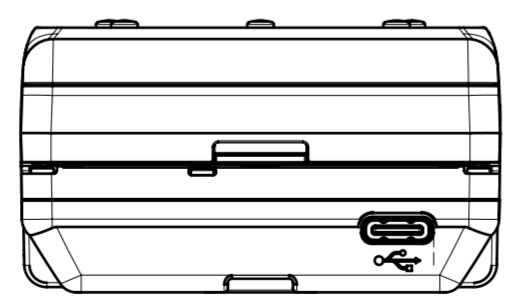
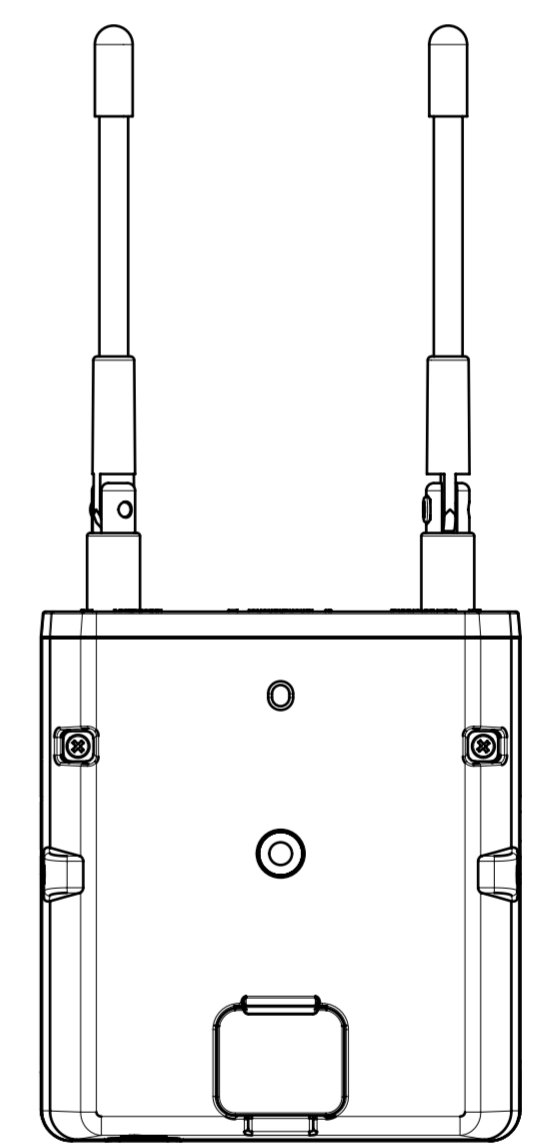
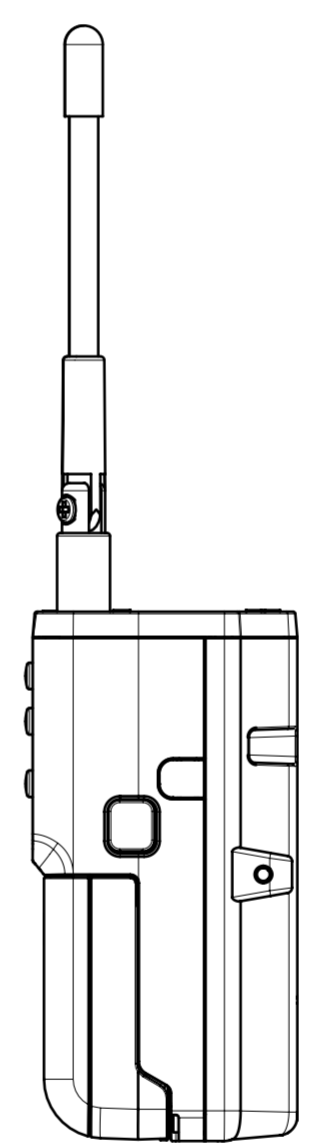
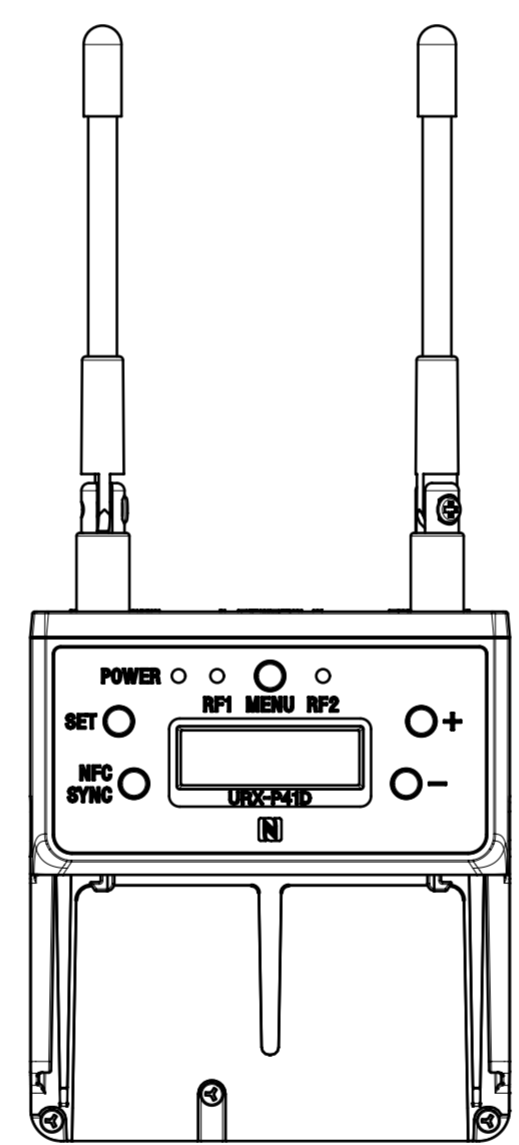
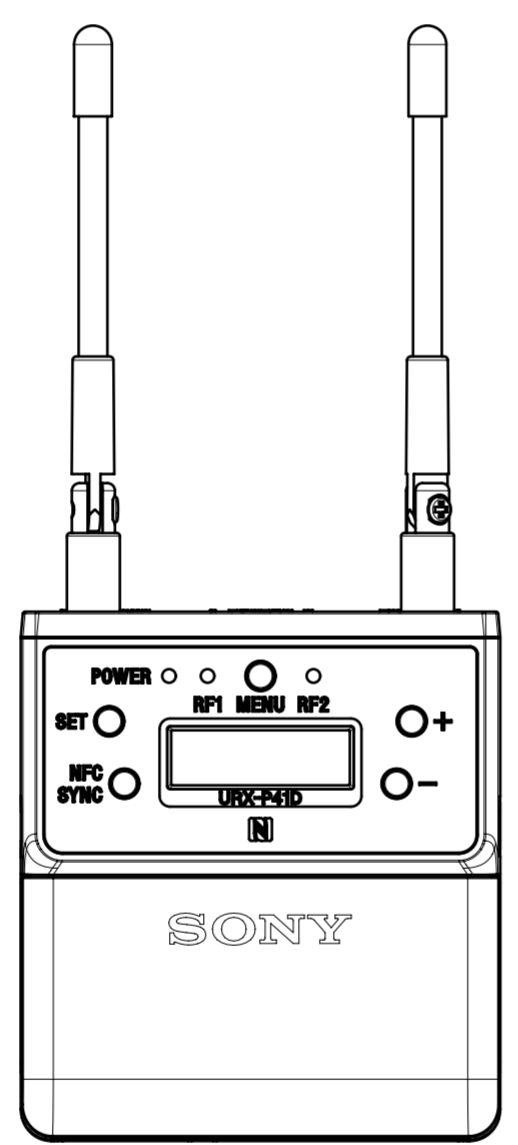
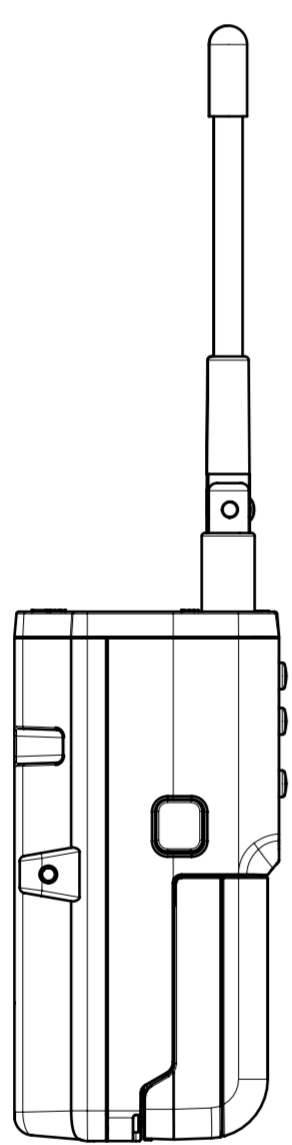
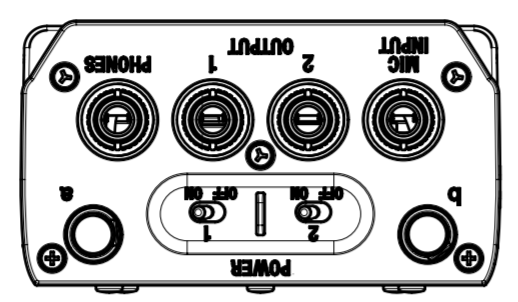


# OUTSIDE DRAWING

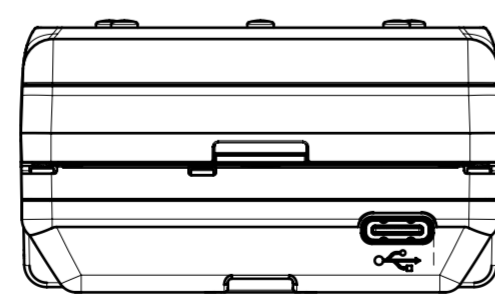
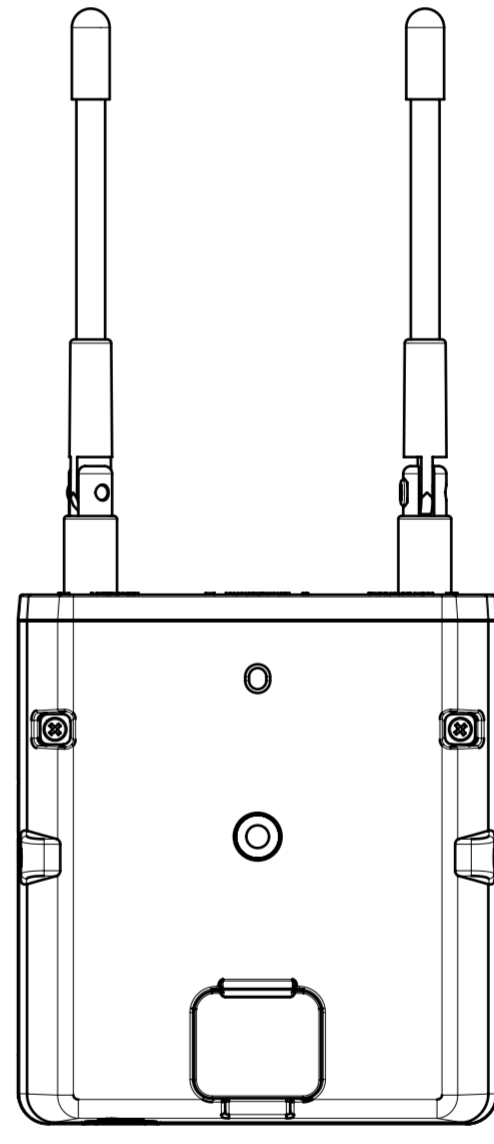
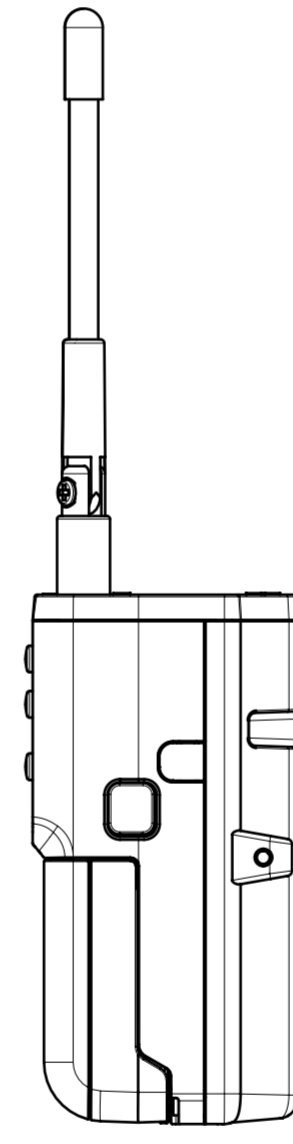
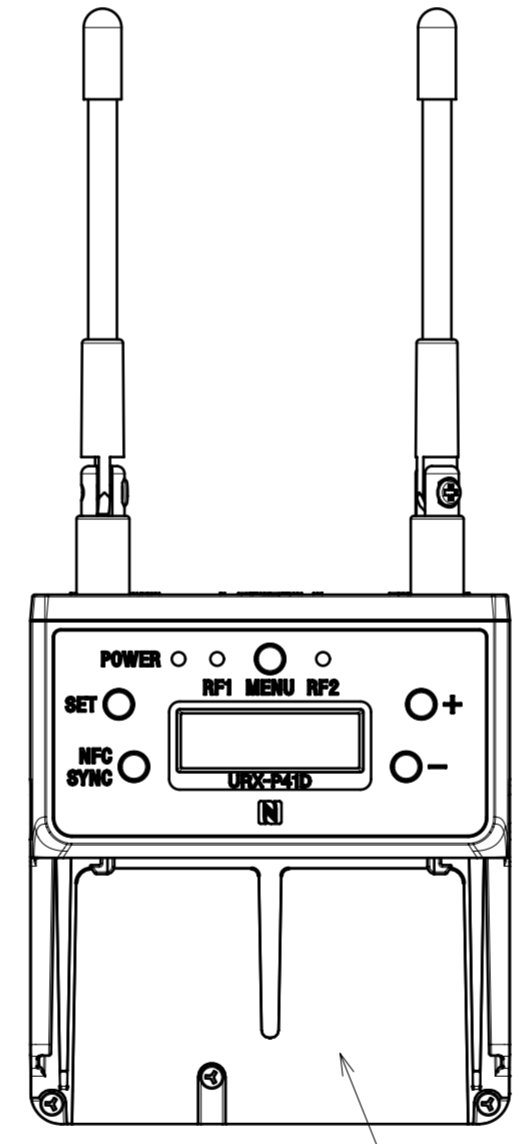
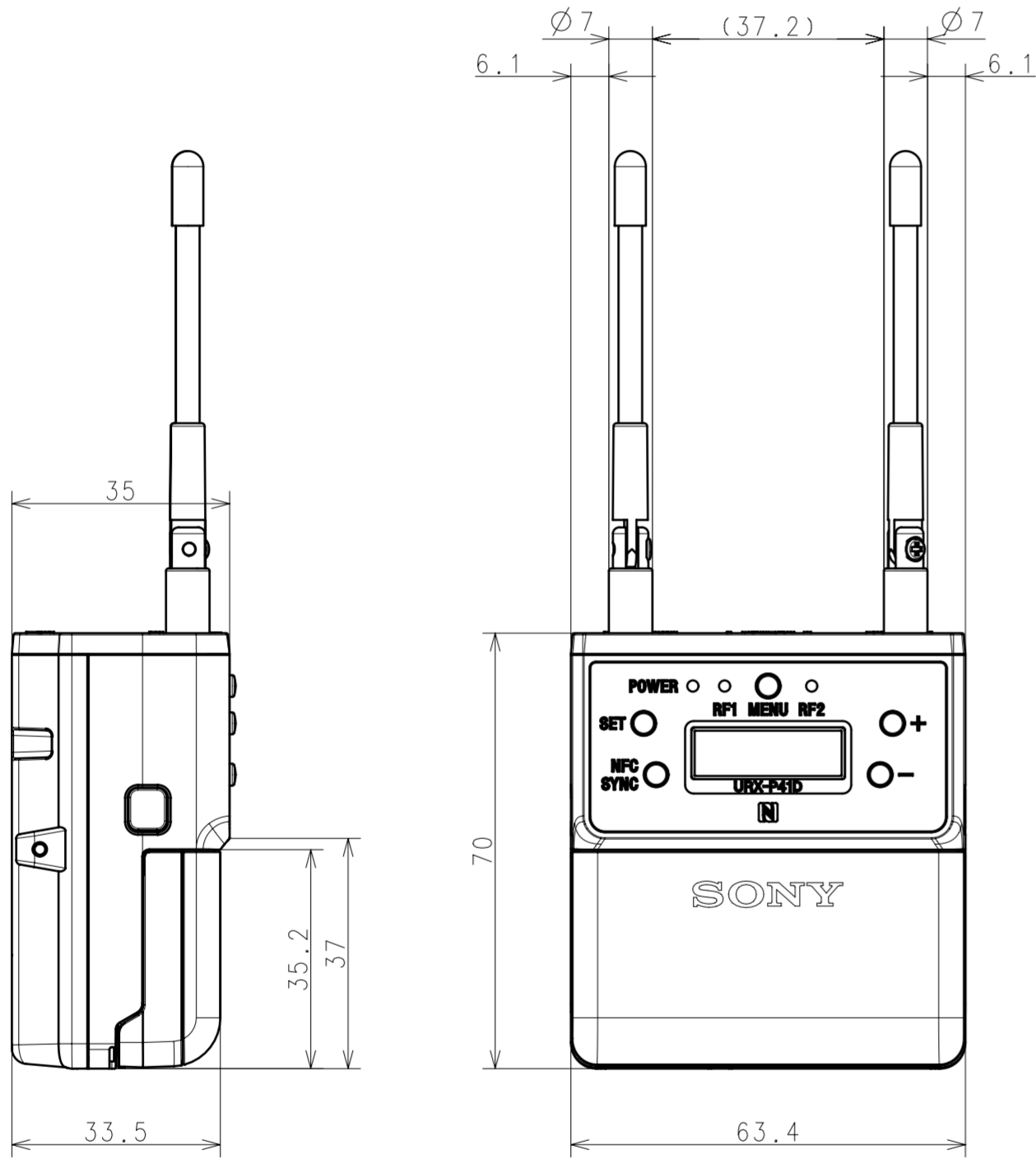
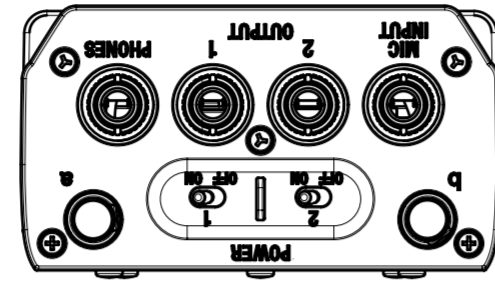


DRAWING

SONY STANDARD

DESCRIPTION(E)	LEGAL OWNER	SCALE
DESCRIPTION(J)	PART NO.	1:1 SHEET/PAGES 1 / 2

# OUTSIDE DRAWING & DIMNSIONS



MODEL NUMBER LABEL

SONY STANDARD DRAWING

DESCRIPTION(E)	LEGAL OWNER	SCALE
DESCRIPTION(J)	PART NO.	1:1
		SHEET/PAGES
		2 / 2